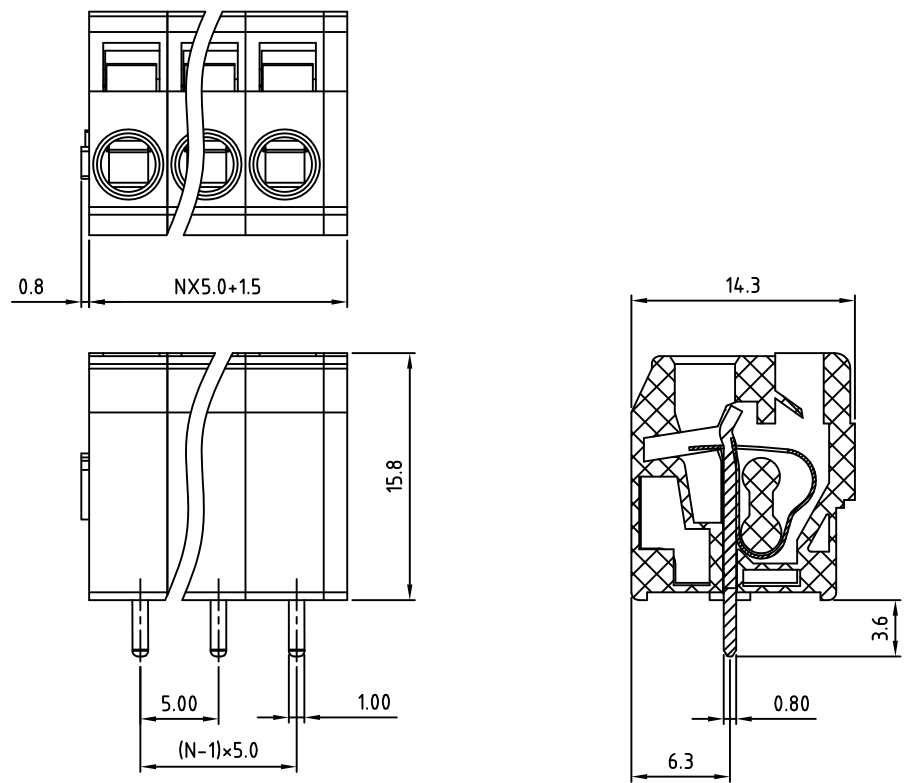


| SIGN | DATE | DESCRIPTION | APPROVER |
|---|------|-------------|----------|
| | | | |
| <i>THIS IS CAD DRAWING, DO NOT REVISE MANUALLY!!!</i> | | | |



N=Number of contacts

P.C.B LAYOUT

- Material**
- Contact pin: Brass, Tin plated
 - Wire guard: Stainless steel
 - Insulator cover: Thermoplastic (UL94V-0)
 - Insulator body: Thermoplastic (UL94V-0)
- Electrical**
- Voltage rating: 250VAC
 - Current rating: 8A
 - Wire range:
 - Solid wire(AWG): 12-28
 - Stranded wire(AWG): 12-28
 - Wire strip length: 8-9mm
 - Withstanding Voltage: 1.5KV
 - Operating temperature: -40°C to +115°C
 - Soldering temperature: 260°C±5°C/5 Sec
 - Safety approval: US
- RoHS Compliant

PART NUMBER:
OSTHMXX7080

- | | | |
|--------------|---|--------------------|
| No. of Poles | — | COLOR |
| 02: 2 Poles | — | 0: Black |
| : | — | 2: Red |
| : | — | 3: Orange |
| 24: 24 Poles | — | 4: Yellow |
| | | 5: Green |
| | | 6: Blue |
| | | 8: Grey (Standard) |
| | | 9: White |
| | | C: Multiple colors |

THESE DRAWINGS AND SPECIFICATIONS ARE THE PROPERTY OF ON-SHORE TECHNOLOGY, INC. AND SHALL NOT BE REPRODUCED, COPIED OR USED IN ANY MANNER WITHOUT THE PRIOR WRITTEN CONSENT OF ON-SHORE TECHNOLOGY, INC.

ON-SHORE TECHNOLOGY, INC.

| | | | | | |
|----------|-------------|-------------------------------|----------------------|--------------|---|
| TITLE | | OSTHM 5.0mm Series Dip solder | | | |
| PART NO. | OSTHMXX7080 | DWG NO. | OSTHMXX7080.DWG | | |
| APPROVED | CHECKED | DESIGNED | DRAWN | CUST NO. | Tolerance |
| | | Marvin 2013.05.28 | Marvin 2013.05.28 | | X. ±0.50 |
| | | | | | UNIT: mm SCALE: NONE X.XX ±0.30 X° ±0.10 X° ±1° |
| | | | | SHEET: 01/01 | REV: F |