

Handle Series FG14

The modular design of this handle series allows an individual assembly of the handle with function elements. In order to define the functions of the separate operating devices, each button can be labeled as required.

Material and surface:

Tube \varnothing 35 x 1.5 mm AlMgSi 0.5; fine ground and black anodized or alternatively made of stainless steel, material no. 1.4301; fine ground. Tube holders of glassball reinforced polyamid PA 6, black, half-matt with fine structure.

Function elements:

Push buttons with red or green ring light. Other LED colours on request.

Type FG14-04 with additional emergency stop.

Connection:

12-pole, coupling with 10 m ready made cable available as an accessory.

Protection class:

IP 65 (with screwed coupling).

Note:

Other handle lengths and designs on request.



Typ FG14-06

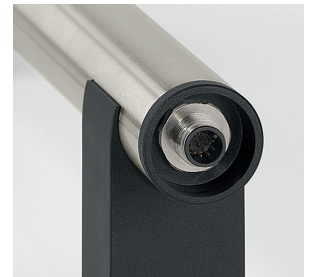


Typ FG14-04

Button labeled



Connection



Handle accessories

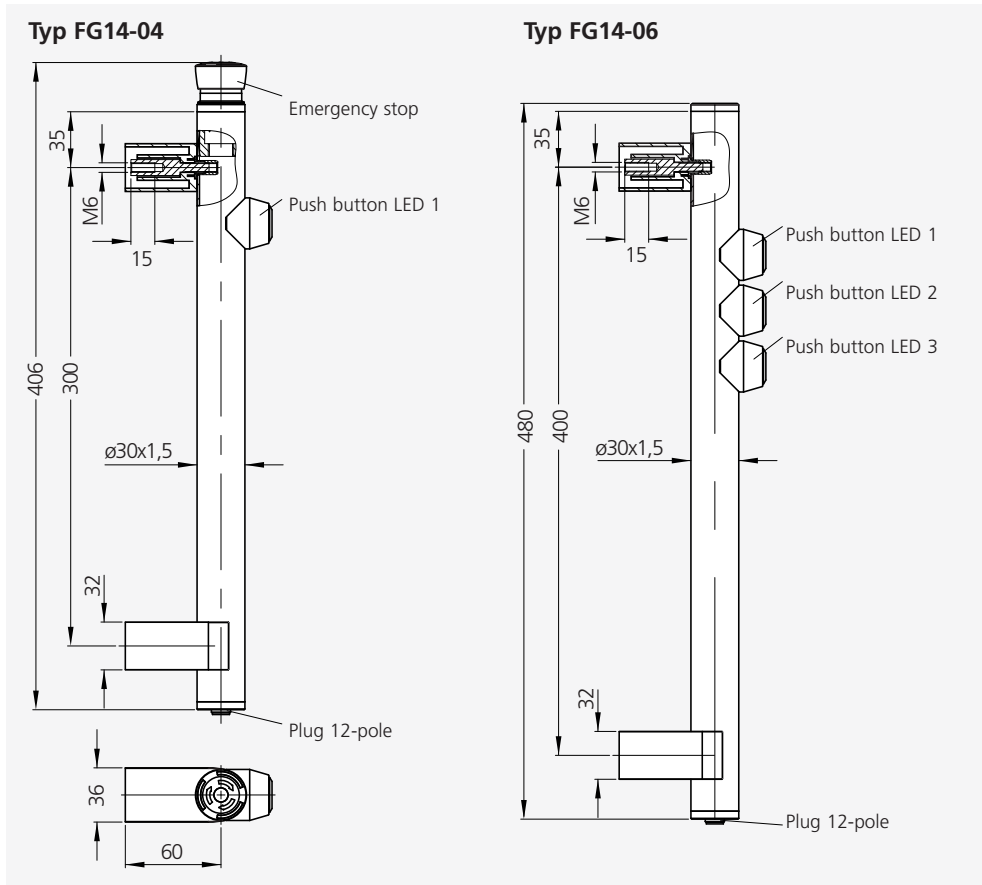
Coupling with cable

	L	Order no.
	10 m	FZ-KS.G12.10
		FZ-KS.W12.10

Typ	Tube of aluminium black anodized		Tube of stainless steel fine ground	
	A*	L	Order no.	Order no.
FG14-04	300	406	FG14-04.300.04	FG14-04.300.37
FG14-06	400	480	FG14-06.400.04	FG14-06.400.37

*Other handle lengths on request





Technical data

Typ	FG14-04	FG14-06
Emergency stop (2 NC contacts)		ohne without
Push button LED 1 (1 NC or NO contact)		
Push button LED 2 (NO contact)	without	
Push button LED 3 (NO contact)	without	
Emergency stop	1-42 V AC/DC 100 mA	-
Push button	24 V AC/DC max. 1 A	
Operating voltage LED	24 V DC (12 V DC optional)	
Anschlussart Connection type	12-pole M12 x 1	
Connector assignment (Plug side view)		

All dimensions in mm.



Door solenoid tumbler see page 304–305.