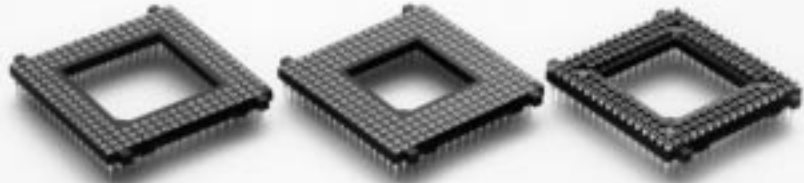
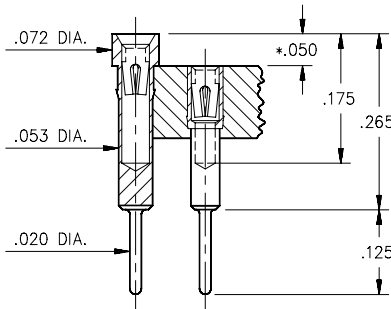


- Series 590 & 517 PGA sockets are available for INTEL & MOTOROLA Microprocessors.
- Molded tabs hold down heatsink & clip assembly.
- Mill-Max #35 clip standard, see page 158 for details.
- Hi-Temp PCT polyester insulator material suitable for all forms of soldering.



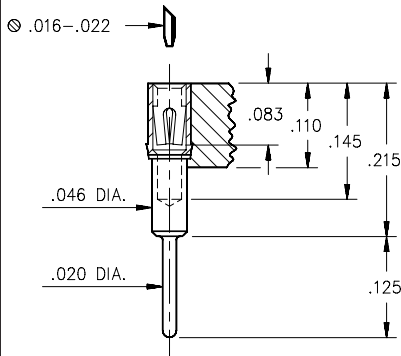
**SERIES 590**

\* FOUR RECESSED PINS  
 ACCOMODATE STANDOFFS ON MPU



PLATING CODE: 93

**SERIES 517**



PLATING CODE: 93

**Ordering Information**

For INTEL 486 Microprocessor, use part no. 590-93-168-17-105096. See pin detail at left. Footprint pattern can be found on page 77.


For MOTOROLA #MC 68040 Microprocessor, use part no. 517-93-179-18-117006. See pin detail at left. Footprint pattern can be found on page 77.

For MOTOROLA #MC 68040 Microprocessor, use part no. 517-93-223-18-098006. See pin detail at left. Footprint pattern can be found on page 77.

\*\* Designed to work with THERMALLOY and IERC Heat sinks and clips.

PLATING CODE

**93**

Sleeve (Pin) 

200μ" Sn

Contact (Clip) 

30μ" Au