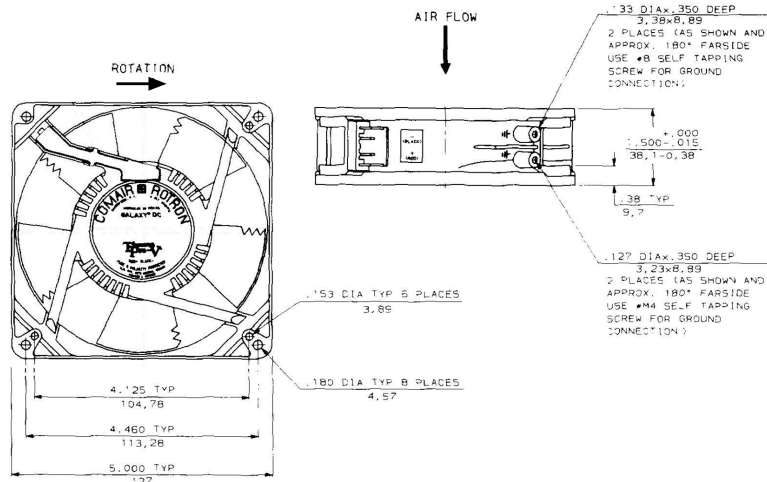


Galaxy DC



MECHANICAL DRAWING



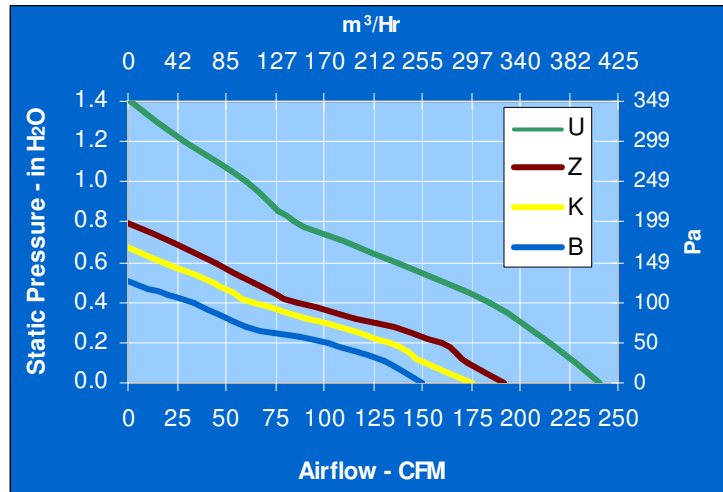
STANDARD FEATURES

- Size: 127mm x 38.1mm deep (5.0" x 1.5")
- Operating Temperature: -10°C to +70°C
- Storage Temperature: -50°C to +90°C
- Weight: 620g (1 lbs. 6 oz.)
- Dual Ball Bearings
- Venturi: Die Cast Zinc, Black
- Termination: Lead Wires
- Built In 12.0" 20 AWG, UL 1061 Style Leadwires

BENEFITS

- Outstanding CFM Performance in High Pressure Systems
- Dependability with an 18 Month Warranty
- Extended Bearing Life
- Locked Rotor Protection
- Available with Standard Open Collector Tachometer
- Flexible features with Digital Design

PERFORMANCE GRAPH



127 X 38 mm

Model Number	Rated Voltage	Operating Voltage Range	Rated Current	Rated Input Power	Speed	Rated Airflow		Rated Air Pressure		Noise
	VDC	VDC				CFM	m ³ /Hr	in H ₂ O	Pa	
GL12B	12	6 - 14	1.25	15.0	3200	150	255	0.49	123	53.6
GL24B	24	12 - 28	0.63	15.0	3200	150	255	0.49	123	53.6
GL48B	48	24 - 56	0.31	15.0	3200	150	255	0.49	123	53.6
GL12K	12	6 - 14	1.92	22.0	3900	175	297	0.68	173	57.2
GL24K	24	12 - 28	0.95	22.8	3900	175	297	0.68	173	57.2
GL48K	48	24 - 56	0.47	21.6	3900	175	297	0.68	173	57.2
GL12Z	12	6 - 14	2.50	30.0	4150	195	331	0.79	201	59.8
GL24Z	24	12 - 28	1.30	31.2	4150	195	331	0.79	201	59.8
GL48Z	48	24 - 56	0.60	28.8	4150	195	331	0.79	201	59.8
GLD24U	24	16 - 28	1.50	37.0	5236	240	407	1.42	354	66.0
GLD48U	48	40 - 72	0.72	37.0	5236	240	407	1.42	354	66.0

COMAIR ROTRON, INC

8929 Terman Court, San Diego, CA 92121
 Ph (858) 348-6200 Fax (858) 566-4577
 E-mail: sales@comairrotron.com,
 Web: www.comairrotron.com



approvals pending