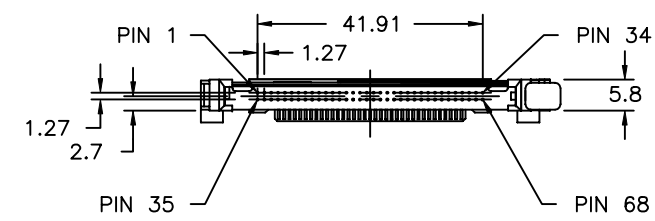
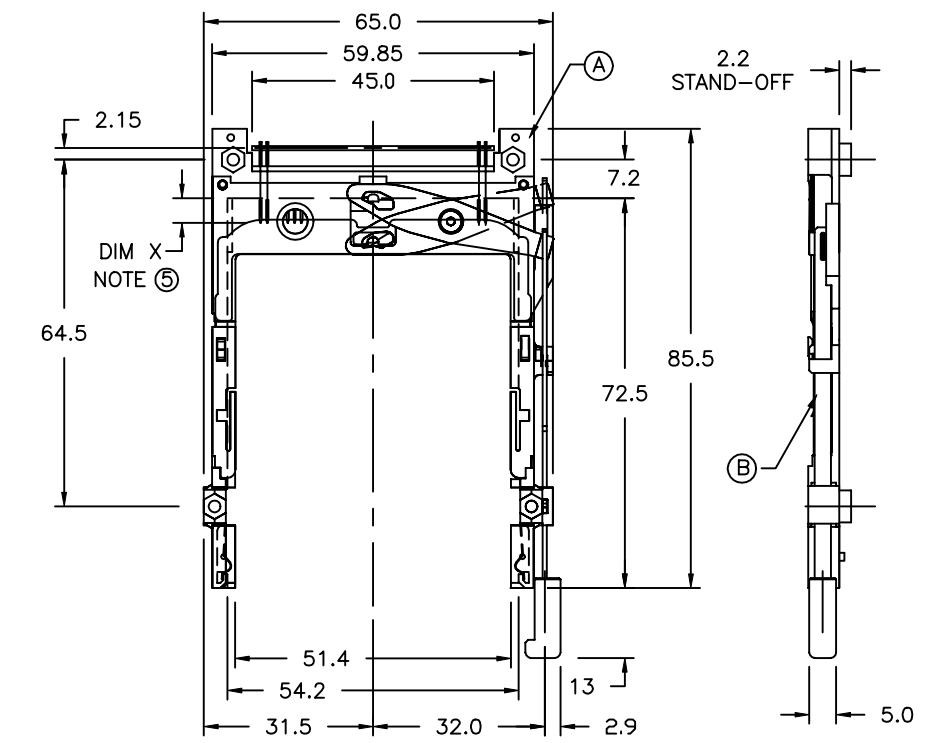
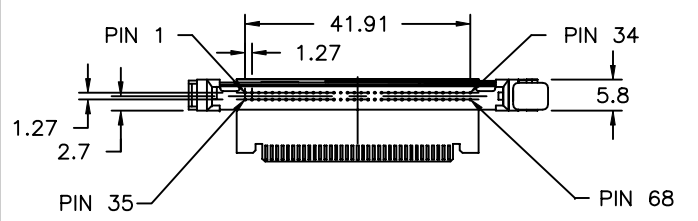
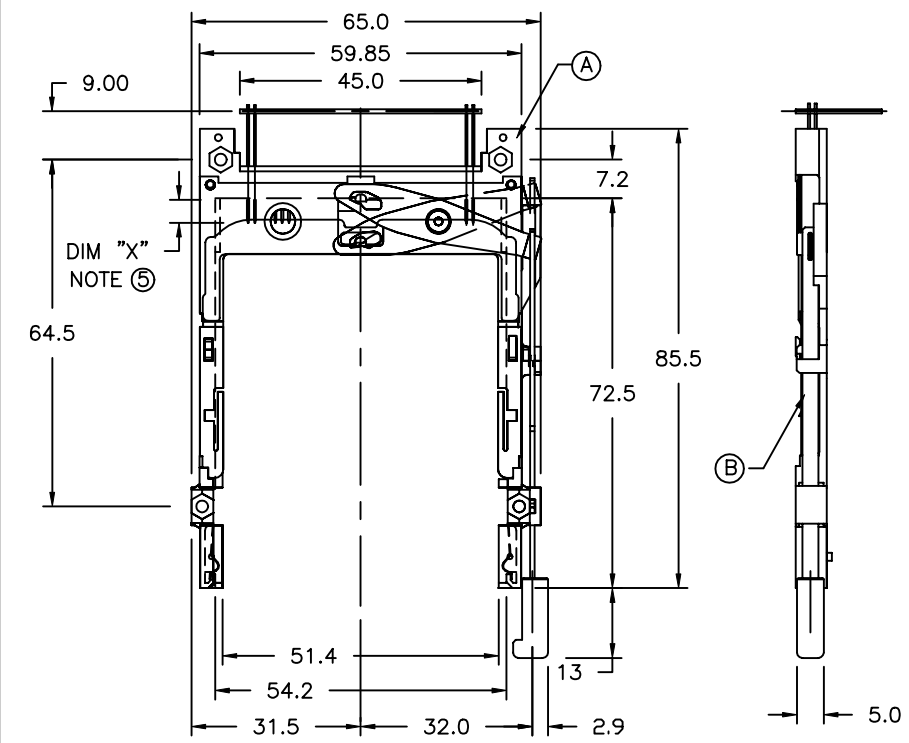


Tous droits strictement reserves. Reproduction ou communication a des tiers interdite sous quelque forme que ce soit sans autorisation ecrite du proprietaire. Propriete de c FCI. Droits de reproduction FCI.

All rights strictly reserved. Reproduction or issue to third parties in any form whatever is not permitted without written authority from the proprietor. Property of FCI. Copyright FCI.



1 2		3 4	
PRODUCT NO.	EJECT HEADER	EJECT-MECHANISM	PRODUCT NO.
84745-025CA	(A) 95548-0522	(B) 84766-00CA	84745-020CA
			EJECT HEADER (A) 95548-0022
			EJECT-MECHANISM (B) 84766-022CA

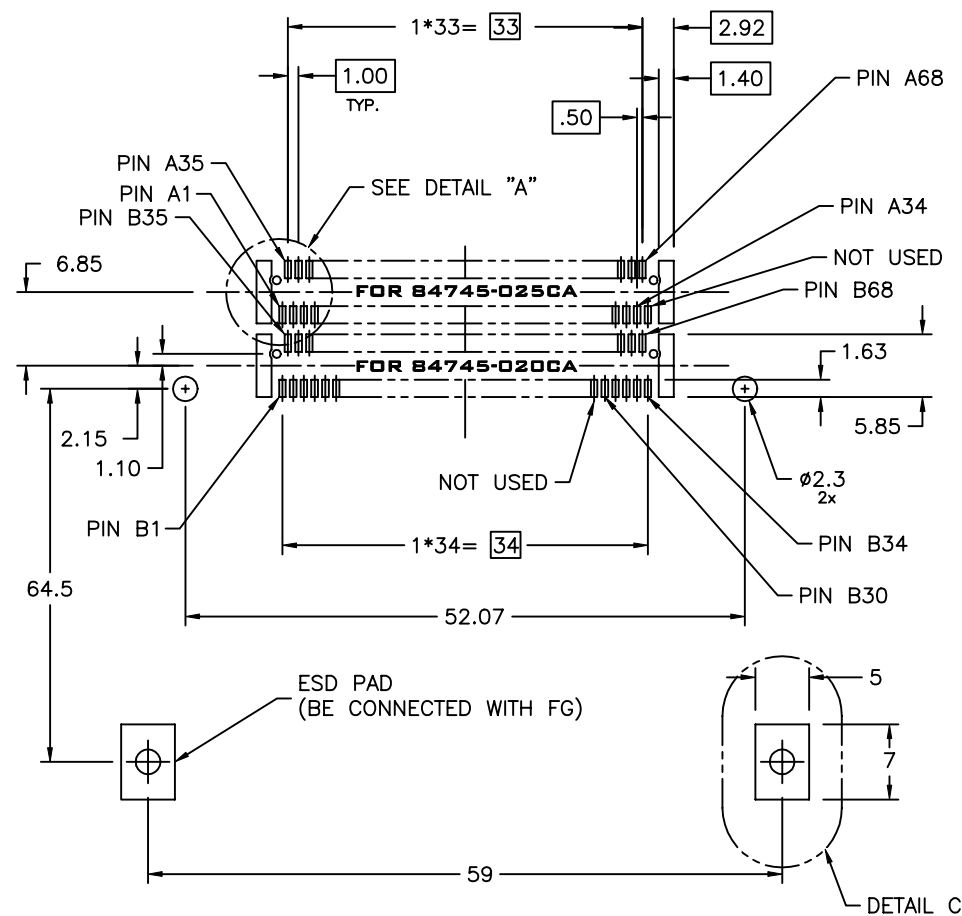


mat'l. code				tolerances unless otherwise specified				CUSTOMER COPY		Electronics www.fciconnect.com	
ltr	ecn no	dr	date	linear		.X±.3		projection		title	
A	V81413	RHG	8/24/98	.XX±.13						EJECTOR HEADER ASS'Y. SMT TYPE 123	
B	V81700	RGD	9/22/98	.XXX±.051						product family MCS	
C	V00431	RGD	1/19/00	angles		0° ±2°				size dwg no	
D	V20242	LP	1/30/02	dr		R.GRAPE	8/24/98			code	
				enr		D.BRANN	8/24/98			sheet	
				chr		D.BRANN	8/24/98			1 of 2	
				appd		D.BRANN	8/24/98				
sheet index		revision sheet		D	D			scale		sheet	
				1	2			1:1		1 of 2	

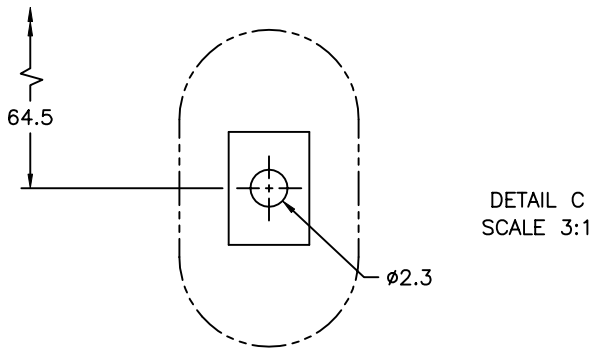
Tous droits strictement réservés. Reproduction ou communication à des tiers interdite sous quelque forme que ce soit sans autorisation écrite du propriétaire. Propriété de c FCI. Droits de reproduction FCI.

All rights strictly reserved. Reproduction or issue to third parties in any form whatever is not permitted without written authority from the proprietor. Property of FCI. Copyright FCI.

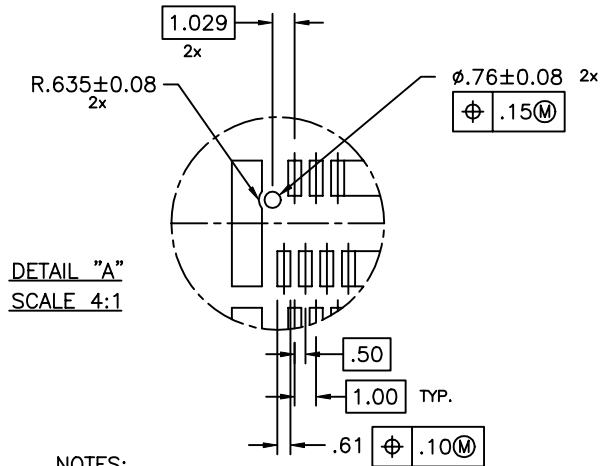
DOUBLE DECK FOR STAND-OFF 2.2mm
(ABOVE P.C.B.)



BOARD VIEW FROM CONNECTOR MOUNTED SIDE
TOP OF BOARD IN APPLICATION



DETAIL C
SCALE 3:1



DETAIL "A"
SCALE 4:1

NOTES:

- 1 8mm MIN CARD EJECT.
- 2 EJECT TRAVEL: 9.5mm
- 3 MATERIAL:
 - 3.1 HEADER ASSY:
PLASTIC HOUSING: LCP UL94V-0 BLACK - ABOVE PCB
PIN: PHOSPHOR BRONZE
 - 3.2 EJECT MECHANISM ASSY:
PLASTIC GUIDE: POLYPHTHARAMID UL94V-0 BLACK
PLASTIC PUSH-ROD BUTTON: POLYPHTHARAMID UL94V-0 BLACK
COVER PLATE, EJECT PLATE, LINK ARM,
PUSH ROD: STAINLESS STEEL
EMI CONTACT: PHOSPHOR BRONZE
- 4 FINISH (PIN)
 - UNDER PLATING: 0.5um Ni
 - CONTACT AREA: 0.1um GOLD OVER
 - 0.5um Pd-Ni
 - SOLDER TAIL: 2.5um Sn-Pb

⑤ DIM "X"

4.25±0.1	3.5±0.1	5.0±0.1
OTHERS	36,67	1,17,34,35,51,68

6 MATING RECEPTACLE - 91931-31169.

mat'l. code				tolerances unless otherwise specified				CUSTOMER COPY		 www.fciconnect.com	
ltr	ecn no	dr	date	linear	.X±.3		projection			title	
D					.XX±.13					EJECTOR HEADER ASS'Y.	
				angles	.XXX±.051					SMT TYPE 123	
					0° ±2°					product family	
				dr	R.GRAPE	8/24/98	MM		MCS		code
				enr	D.BRANN	8/24/98	←		size		—
				chr	D.BRANN	8/24/98	→		dwg no		sheet
				appd	D.BRANN	8/24/98	scale		A4		2 of
sheet index		revision sheet									