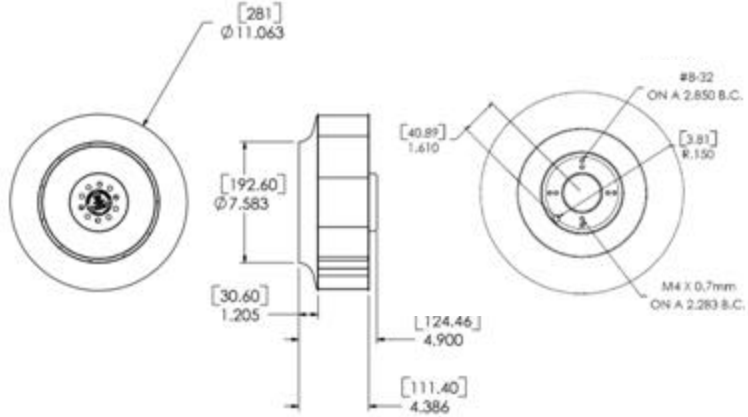


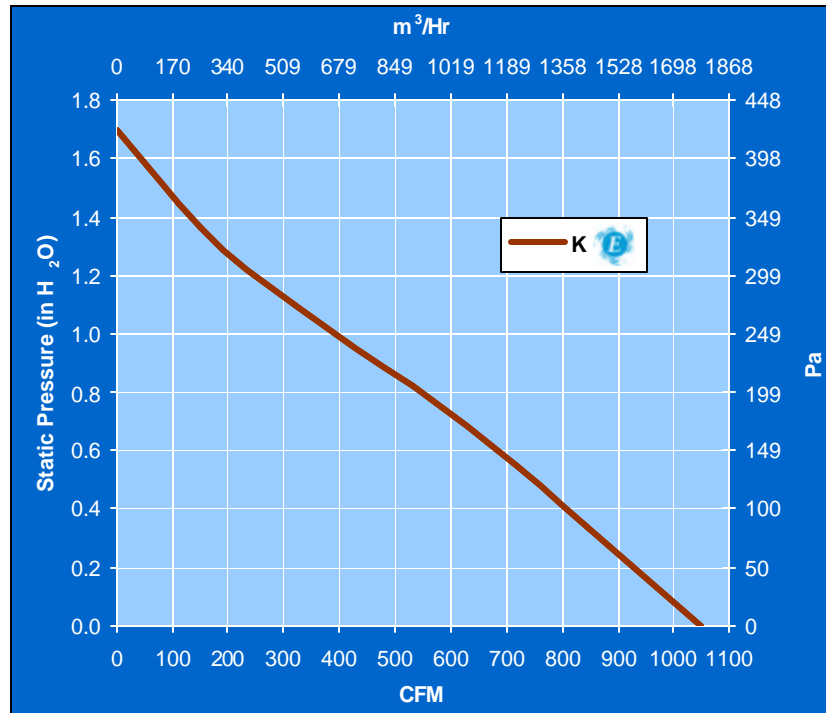
# Diplomat 1149



## MECHANICAL DRAWING



## PERFORMANCE GRAPH



280 X 125 mm

### STANDARD FEATURES

- Size: 281 mm x 125 mm deep (11.0" x 4.9")
- Operating Temperature: -10°C to +70°C
- Storage Temperature: -40°C to +85°C
- Dual Ball Bearings
- Impeller: Galvanized Steel
- Termination: Lead Wires

### BENEFITS

- Outstanding CFM Performance in High Pressure Systems
- Dependability with an 18 Month Warranty
- Extended Bearing Life
- Soft Start Capability
- Tachometer & PWM Standard

Model Number	Rated Voltage	Operating Voltage Range	Rated Current	Rated Input Power	Speed	Rated Airflow		Rated Air Pressure		Noise
	VDC	VDC				CFM	m <sup>3</sup> /Hr	in H <sub>2</sub> O	Pa	
DDE893524Z	24	16 - 32	6.2	149	3550	750	1274	3.2	797	78.7
DDE893548Z	48	28 - 72	3.0	149	3550	750	1274	3.2	797	78.7

### COMAIR ROTRON, INC

8929 Terman Court, San Diego, CA 92121  
 Ph (858) 348-6200 Fax (858) 566-4577  
 E-mail: sales@comairrotron.com,  
 Web: www.comairrotron.com



= Products developed with new E-Series technology delivering higher performance, efficiency, and expanded feature sets.