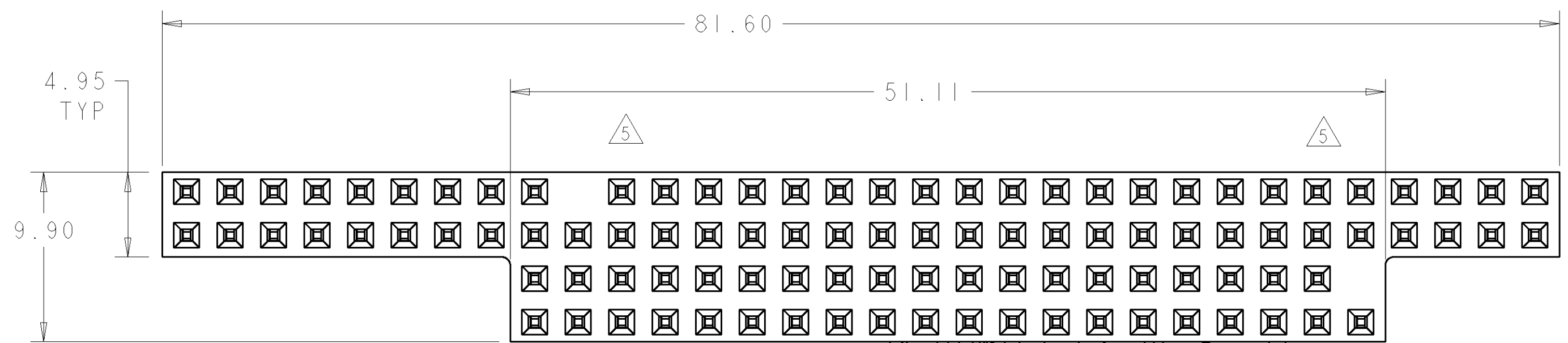
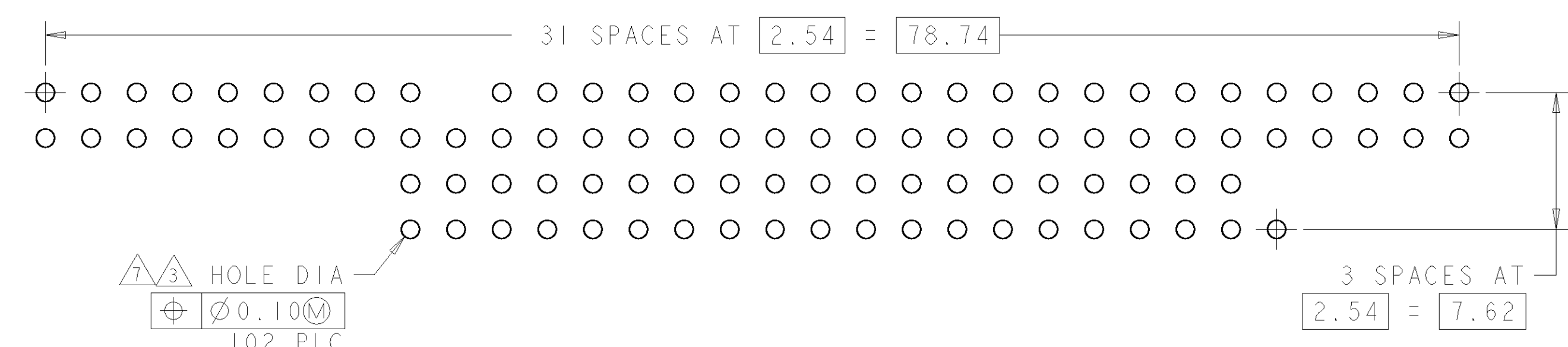
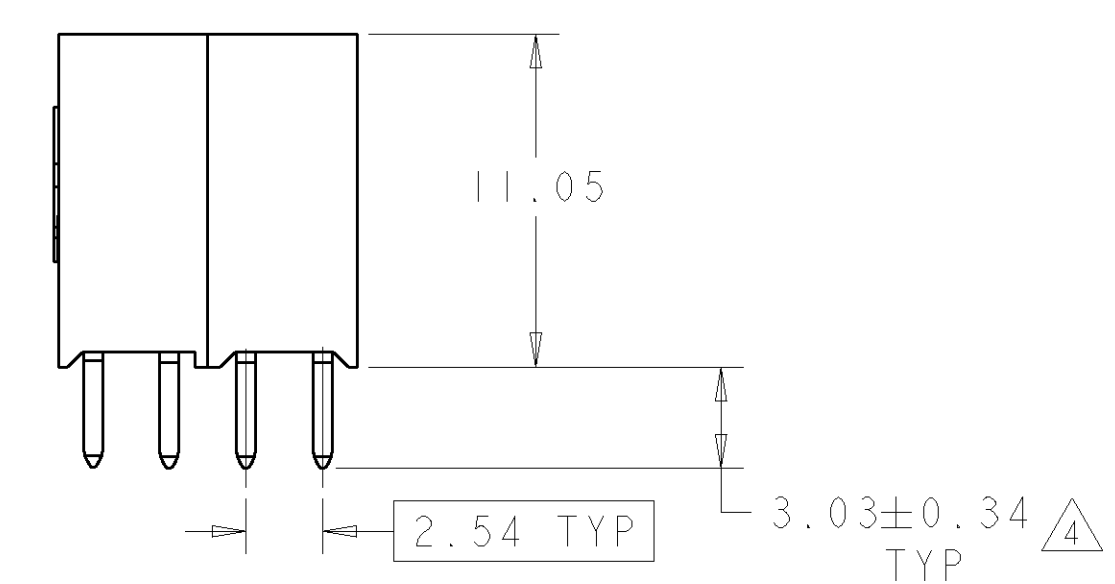
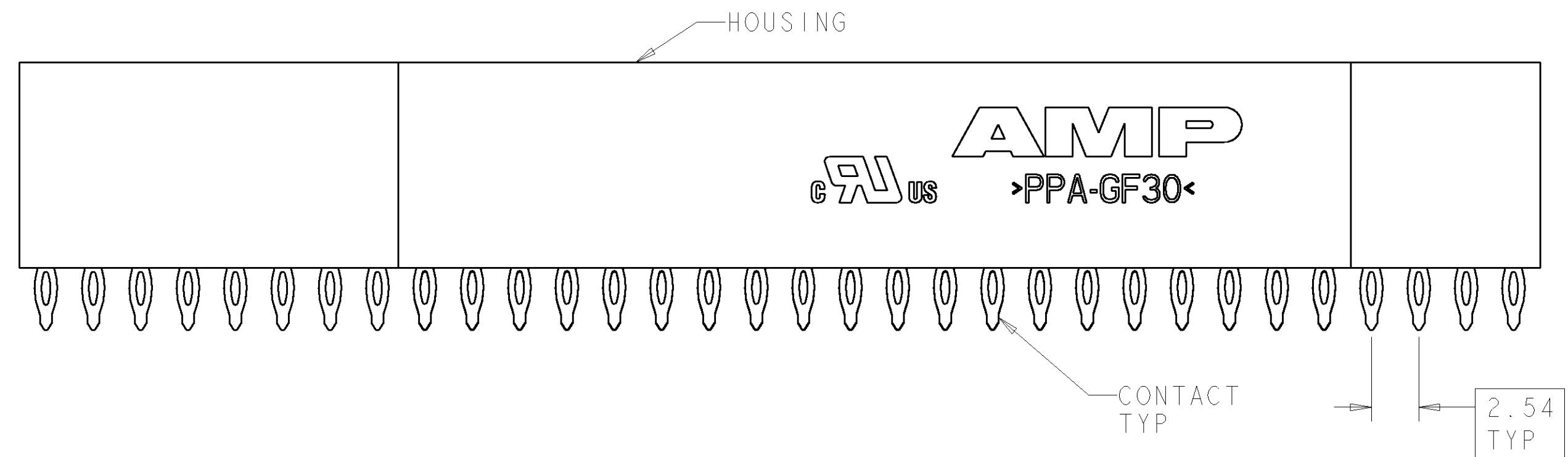


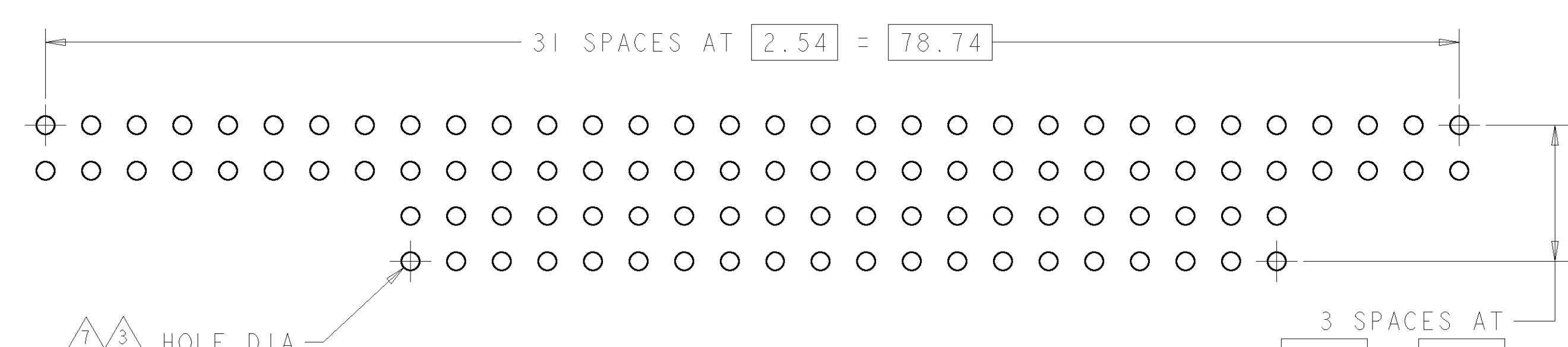
LOC	DIST	REVISIONS			
P	LTR	DESCRIPTION	DATE	DWN	APVD
0		REV PER EC 063C-0183-01	13JUN2001	MB	JO
A		REV PER 063C-0372-01	21DEC01	RB	JO
B		REV PER EC 063C-0313-04	26AUG2004	MB	JO



- △ HOUSING: HIGH TEMPERATURE, GLASS FILLED NYLON, COLOR: BLACK.  
CONTACTS: PHOSPHOR BRONZE.
- △ CONTACTS: 0.00038 MIN GOLD ON MATING RECEPTACLE END, 0.00254 BRIGHT TIN-LEAD ON REMAINDER, ALL OVER 0.00127 NICKEL.
- △ PCB HOLE RECOMMENDATIONS:  
A. DRILL HOLE DIAMETER TO BE 1.15±0.02.  
B. PLATING TO BE 0.005 MIN TIN-LEAD OVER 0.025-0.075 COPPER.  
C. RECOMMENDED FINISH HOLE SIZE IS 1.03±0.08.
- △ DIMENSION AFTER SEATING TO PCB.
- △ NO CONTACT IN THIS POSITION, FOR PART NUMBER 1375796-1 & -3, ONLY
- △ CONTACTS: 0.00038 MIN GOLD ON MATING RECEPTACLE END, 0.00254-0.00508 MATTE TIN ON REMAINDER, ALL OVER 0.00127 NICKEL.
- △ PCB HOLE RECOMMENDATIONS FOR SILVER IMMERSION PLATING:  
A. DRILL HOLE DIAMETER TO BE 1.18±0.05.  
B. PLATING TO BE 0.000152-0.000406 SILVER ALL OVER 0.025-0.075 COPPER.  
C. RECOMMENDED FINISH HOLE SIZE IS 1.23±0.05.
- △ LEAD FREE PART TO BE USED ON LEAD FREE PCB'S.



RECOMMENDED PCB LAYOUT FOR 1375796-1 & -3



RECOMMENDED PCB LAYOUT FOR 1375796-2 & -4

FINISH	KEYED CIRCUITS	PART NO
NO	NO	1375796-4
YES	YES	1375796-3
NO	NO	1375796-2
YES	YES	1375796-1

DIMENSIONS: mm TOLERANCES UNLESS OTHERWISE SPECIFIED: 0 PLC ± 1 PLC ±0.13 2 PLC ± 3 PLC ± 4 PLC ± ANGLES ±		DWN: W.G. LENKER 02JUN2000 ENR: L. BREKOSKY 15JAN2001 APVD: J. OLSON 13JUN2001	NAME: AMP Tyco Electronics Harrisburg, PA 17105-3608
MATERIAL: 1		FINISH: 6/2	PRODUCT SPEC: 108-1956 APPLICATION SPEC: 114-13021 WEIGHT: - CUSTOMER DRAWING
ASSEMBLY, PC/104, NON-STACKTHROUGH CONTACTS, PRESS FIT		SIZE: A1 CAGE CODE: 00779 DRAWING NO: C=1375796	RESTRICTED TO: - SCALE: 4:1 SHEET 1 OF 1 REV B