

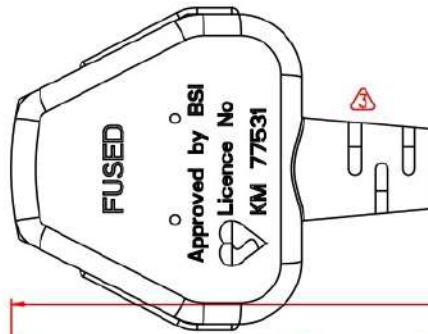
P1: M-015C

P2: M-005

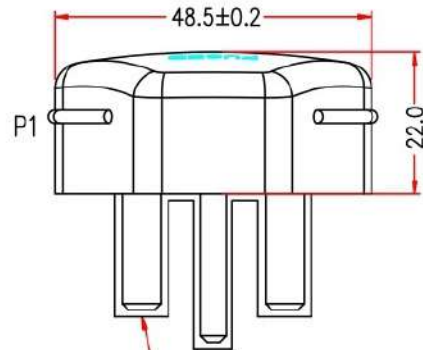
Customer No.: No.1 10W1-12206-UK

FUSE:

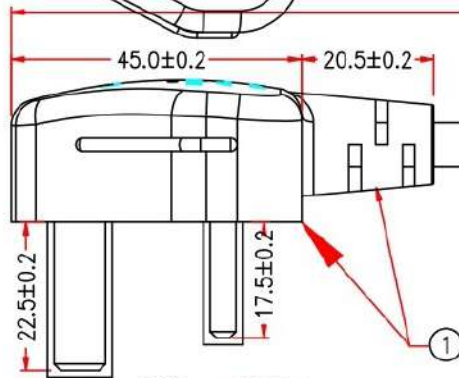
LOGO	FUSE
	13A



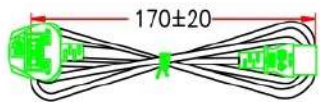
P2:



WHITE COVER



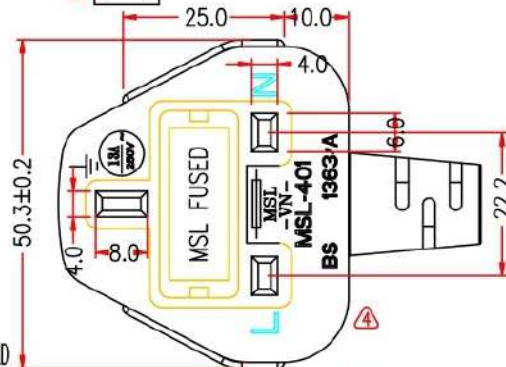
PACKING:



THE CABLE MARKING IS CONCAVE LETTERING MOULD

MARKING:

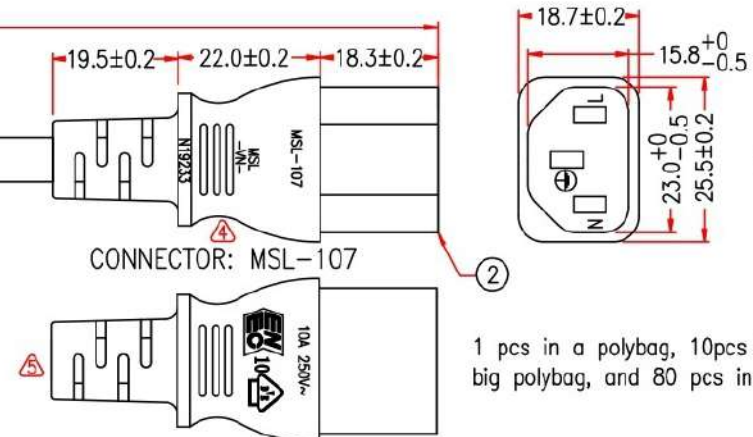
H05VV-F 3G 0.75mm² KEMA-KEUR IEMMEQU
 N20050 G TSA-3 3G 0.75mm² MSL



PLUG: MSL-403

	P1	P2
BROWN	L _____	L _____
BLUE	N _____	N _____
GREEN/YELLOW	E _____	E _____

1830



CONNECTOR: MSL-107

P2

1 pcs in a polybag, 10pcs in a big polybag, and 80 pcs in a box

* NOTE: All relevant materials are complied with RoHS directive .

3	H05W-F 3G 0.75mm ² G TSA-3, OD 6.8mm, JACKET BLACK, DRAWING No. EPH5V0107503C-042	H5TH04-0304K09	1810mm	M304
2	MOLDED PVC 45P, COLOR BLACK	H1BF01-0304K09		M304
	BRACKET: YS-003	A1QC14-0767	1	M767
1	TERMINAL: 2*4mm, 98740BS-0/A	A1QB55-0257	3	M257
	MOLDED PVC 45P, COLOR BLACK	H1BF01-0304K09		M304
	FUSE LATCH: MSL-403	A1QA40-0767	1	M767
	FUSE: 13A	A1QA06-1231	1	M1231
1	PRESSURE CAP, MSL-403	A1QA41-0767	1	M767
	PLUG BRACKET AND TERMINAL A PIECE TYPE:168T03, MSL-403	A1QA39-0402	1	M402
No.	DESCRIPTION		Q'TY	Supplier

APPROVED	
CHECKED	HU
DESIGNER	XJW
DRAWING	WEI
DATE	12/APR/24

CompuCableUSA

ITEM NO. AC-122XX-UK

Cable Length Unless Other Spec.
Tolerances:

0 ~200mm	±10mm
201~1000mm	±20mm
1001 ~1500mm	±25mm
1501~2100mm	±30mm
2100mm↑	±40mm

UNIT:mm

REV.5 2024.04.12	MODIFY WORD MODEL
REV.3 2018.04.19	MODIFY P1 PLUG SURFACE
REV.1 2017.07.20	MODIFY CABLE
REV.4 2020.10.23	MODIFY MARKING
REV.2 2018.02.27	MODIFY P1 PLUG

NOTE: Cable Length Unless Otherwise Spec. Tolerances: Under 6FT ±25mm; Another ±50mm