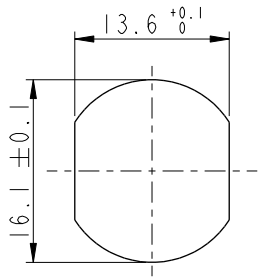


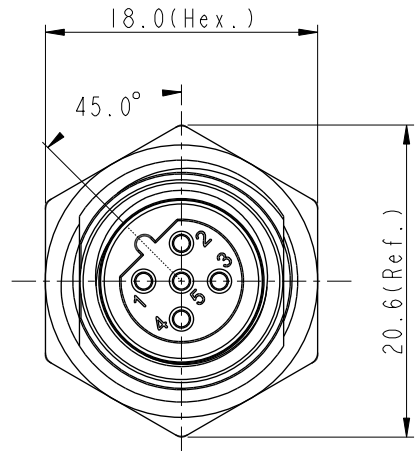
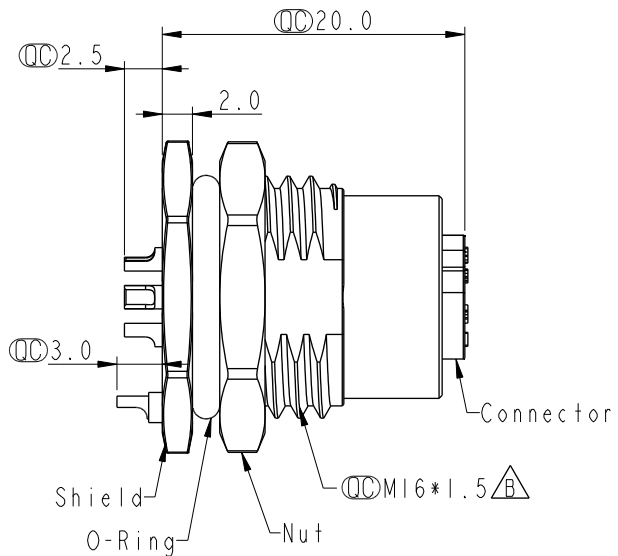
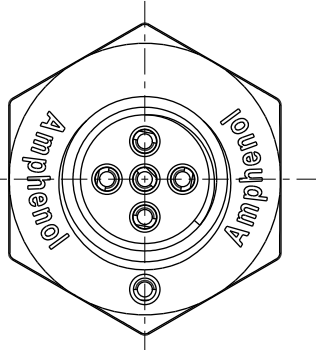
THIS DOCUMENT IS SUBJECT TO CHANGE WITHOUT NOTICE. IT IS CONFIDENTIAL AND A PROPERTY OF Amphenol LTW. DISCLOSURE TO THIRD PARTY HAS TO BE AUTHORIZED BY Amphenol LTW.

REV.	ECN NO.	DATE	SIGN	DESCRIPTION
C	C210309	2021/03/11	Ruru	X3
D	C221973	2022/12/26	Ruru	X1
E	C231034	2023/08/10	Ruru	X1

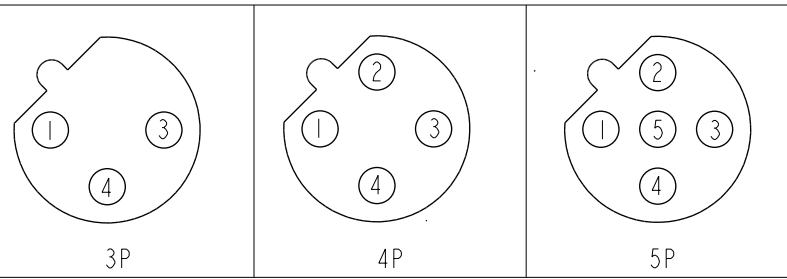


Recommended Panel Cut-Out

**B**  
MSBS-XXPFFS-SF8002  
XX: No. Of Pin



- B/C** Note:
- \* RoHS Compliant
  - \* **(D)** Important dimension
  - \* **(D)** Waterproof rate: IP68, unmated 1m/24h  
**(E)** IP69K, mated
  - \* Connector
    - Housing: Thermoplastic, Black
    - Pin: Copper alloy, Gold plated
    - O-Ring: Rubber, Green
  - \* Shield: Metal
  - \* Nut: Metal
  - \* O-Ring: Rubber, Black
  - \* For panel thickness max: 4.5mm
  - \* Nut is packed separately in pe bag



Pin Assignment Front View

UNIT: mm		TITLE N SEN, M12 B -SHLD, SCREW RECEPTACLE, F, F, SOLDER <b>(C)</b>
TOLERANCE .X ±0.25 .XX ±0.1 .XXX ±0.05 ANGLES ±1°	SCALE 3:2 SIZE A4 SHEET 1 OF 1	REV. E WC-REV. A.5 <b>(D)</b> : Inspection item

**Amphenol LTW**  
安費諾亮泰企業股份有限公司

ITEM NO.	DRAWN BY Brady	DATE 2019/01/15
DWG NO. <b>(B)</b> MSBS-XXPFFS-SF8002	CHECKED BY Eagle	DATE 2019/01/15
CUSTOMER ALTW	APPROVED BY Neo	DATE 2019/01/15