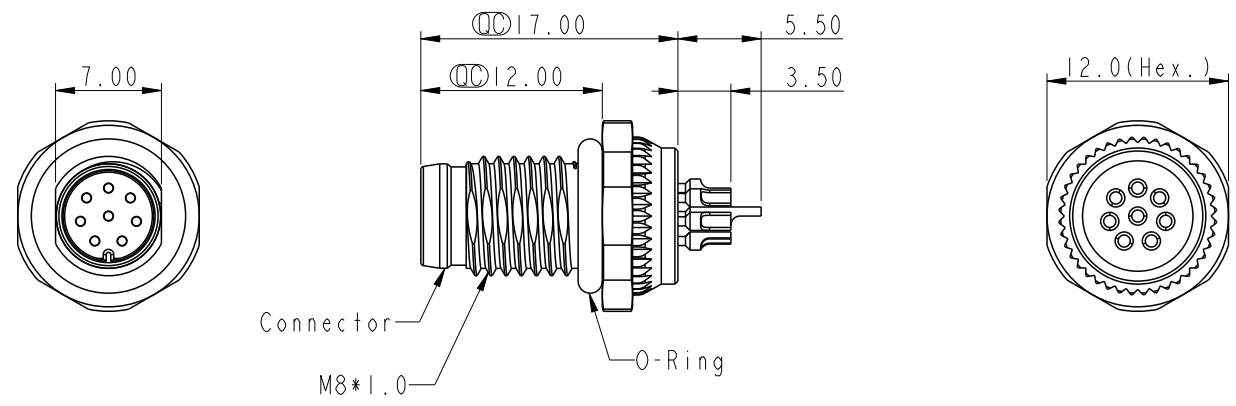


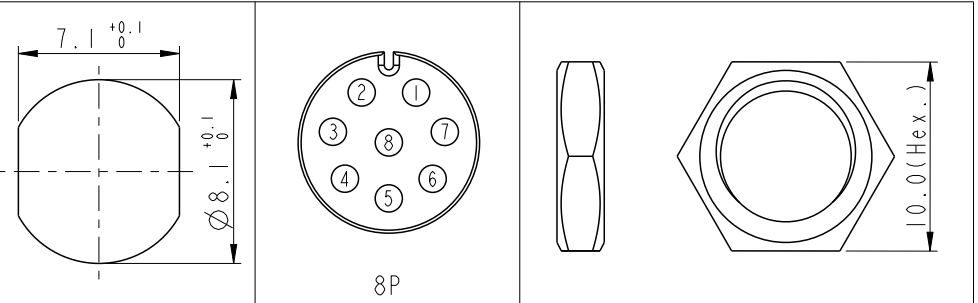
THIS DOCUMENT IS SUBJECT TO CHANGE WITHOUT NOTICE. IT IS CONFIDENTIAL AND A PROPERTY OF AMPHENOL LTW. DISCLOSURE TO THIRD PARTY HAS TO BE AUTHORIZED BY AMPHENOL LTW.

REV.	ECN NO.	DATE	SIGN	DESCRIPTION
A		2023/03/06	Aber	Rev.02 to Rev.A

M8-XXPMMS-SF8001  
 XX: No. Of Pin



- Note
- \* RoHS Compliant
  - \*  $\varnothing$  Important Dimension To Check
  - \* Waterproof rate: IPX8, Unmated, 1m/24h.
  - \* Connector:  
 Housing: Thermoplastic, Black.  
 Pin: Copper Alloy, Gold Plated.  
 Shield: Metal.
  - \* Nut: Metal.
  - \* O-Ring: Rubber, Green.
  - \* For panel thickness: 2.0~4.0mm.
  - \* Nut is packed separately in PE bags.



Recommended Panel Cut-Out      Pin Assignments Front View      Nut is packed separately in PE bags.

UNIT: mm			TITLE N SEN, M8, SOLDER RECEPTACLE, M, M		
TOLERANCE .X ±0.25 .XX ±0.1 .XXX ±0.05 ANGLES ±1°	SCALE 2:1		SIZE A4	SHEET 1	OF 1
REV. A	WC-REV. .0	$\varnothing$ : Inspection item			

**Amphenol LTW**  
 安費諾亮泰企業股份有限公司

ITEM NO.	DRAWN BY Allen	DATE 2022/09/28
DWG NO. M8-XXPMMS-SF8001	CHECKED BY Lynne	DATE 2022/09/28
CUSTOMER ALTW	APPROVED BY Neo	DATE 2022/09/28