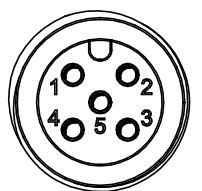
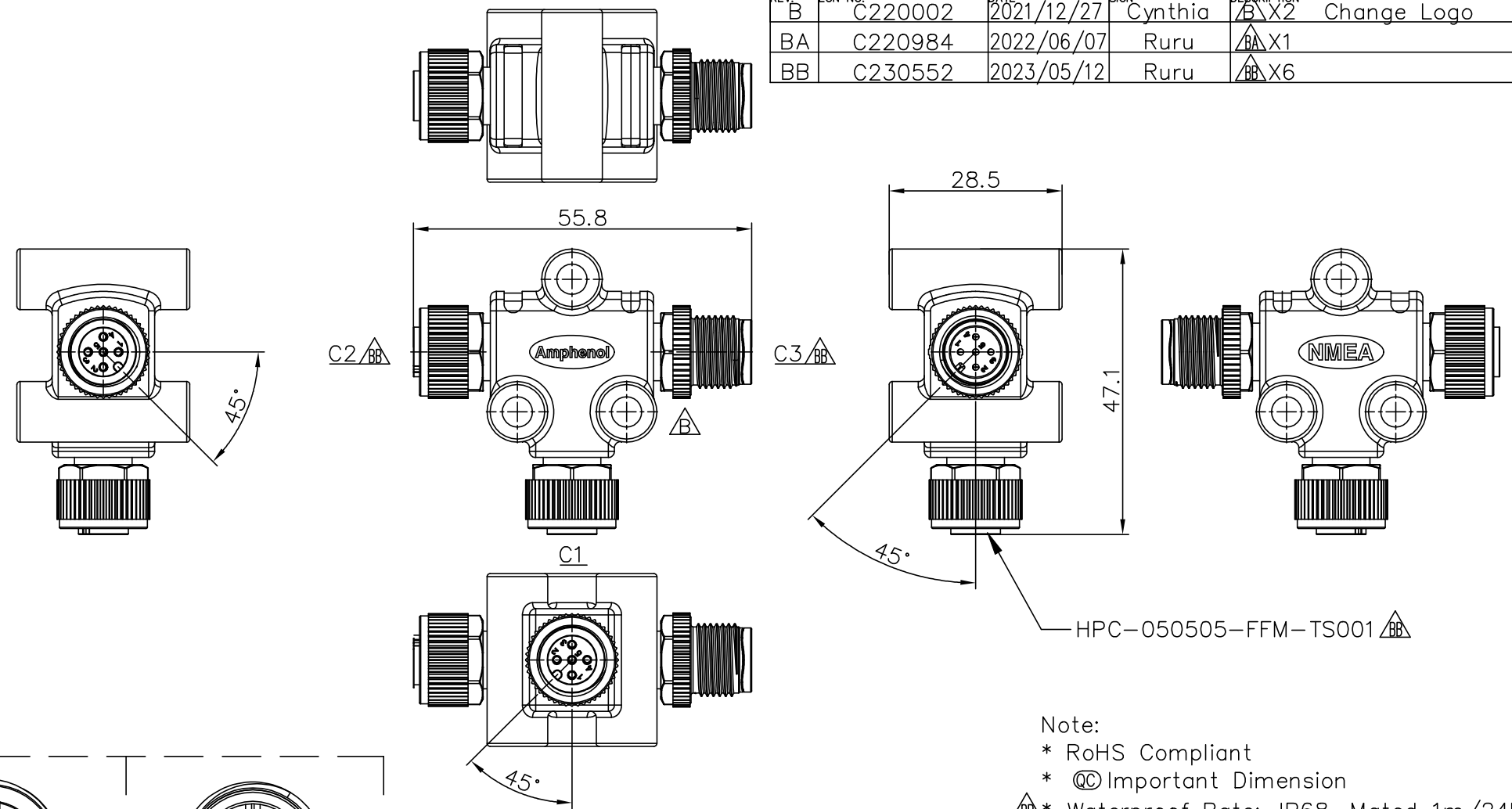
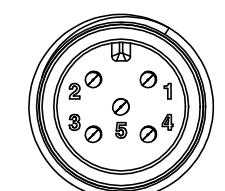


REV.	ECN NO.	DATE	SIGN	DESCRIPTION
B	C220002	2021/12/27	Cynthia	B X2 Change Logo
BA	C220984	2022/06/07	Ruru	BA X1
BB	C230552	2023/05/12	Ruru	BB X6

THIS DOCUMENT IS SUBJECT TO CHANGE WITHOUT NOTICE. IT IS CONFIDENTIAL AND A PROPERTY OF Amphenol LTW. DISCLOSURE TO THIRD PARTY HAS TO BE AUTHORIZED BY Amphenol LTW.



C1&C2
Pin Assignments
Front View



C3
Pin Assignments
Front View

Blue 藍	5	5	5
White 白	4	4	4
Black 黑	3	3	3
Red 紅	2	2	2
Green 綠	1	1	1
Wire Color	C1	C2	C3
	Pin Out		

Note:

- * RoHS Compliant
- * Ⓞ Important Dimension
- △ * Waterproof Rate: IP68, Mated 1m/24h
- * Connector
- Housing: Thermoplastic, Black
- Pin: Copper Alloy, Gold Plated 30u"
- O-Ring: Rubber, Green
- * Nut: Thermoplastic, Black
- * Outer Mold: Thermoplastic, Blue
- * Wire: UL1061, 22AWG

UNIT: mm	
TOLERANCE	
±0.5 mm	

TITLE		NMEA, CONN, NMEA PROD	
SCALE		Free	
REV.		SIZE	
BB	A4	SHEET 1 OF 2	
© : Inspection Item			

Amphenol LTW
安費諾亮泰企業股份有限公司

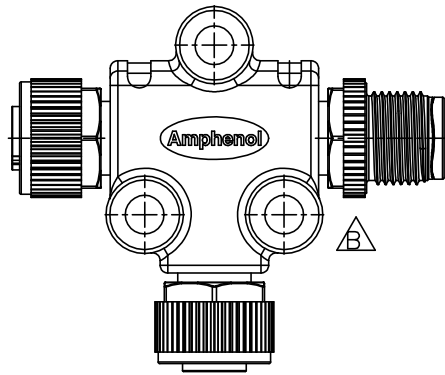
ITEM NO	PB-HPC-050505-FMF-TS001
DWG NO	PB-HPC-050505-FMF-TS001
CUSTOMER	0010002186

DRAWN BY	Cynthia
CHECKED BY	Wen
APPROVED BY	Neo

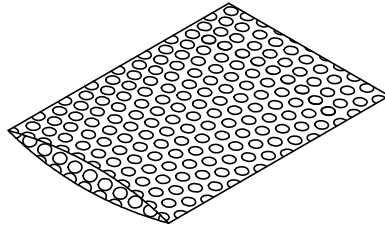
DATE	2021/10/22
DATE	2021/10/22
DATE	2021/10/22

THIS DOCUMENT IS SUBJECT TO CHANGE WITHOUT NOTICE. IT IS CONFIDENTIAL AND A PROPERTY OF Amphenol LTW. DISCLOSURE TO THIRD PARTY HAS TO BE AUTHORIZED BY Amphenol LTW.

QC Packing

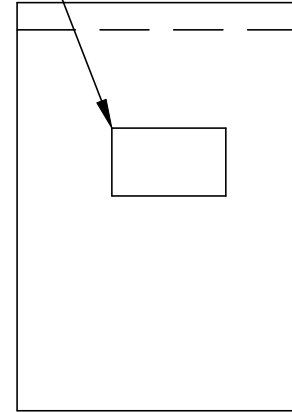


X1 pcs



△A PE 袋外面貼上標籤

X1 pcs



UNIT: mm	
TOLERANCE	
±0.5 mm	

TITLE NMEA, CONN, NMEA PROD MULTI-PORT T-ADAPTOR, MICRO		
SCALE Free	SHEET 2 OF 2	
REV. BB	SIZE A4	QC : Inspection Item

Amphenol LTW
安費諾亮泰企業股份有限公司

ITEM NO PB-HPC-050505-FMF-TS001
DWG NO PB-HPC-050505-FMF-TS001
CUSTOMER 0010002186

DRAWN BY Cynthia
CHECKED BY Wen
APPROVED BY Neo

DATE 2021/10/22
DATE 2021/10/22
DATE 2021/10/22