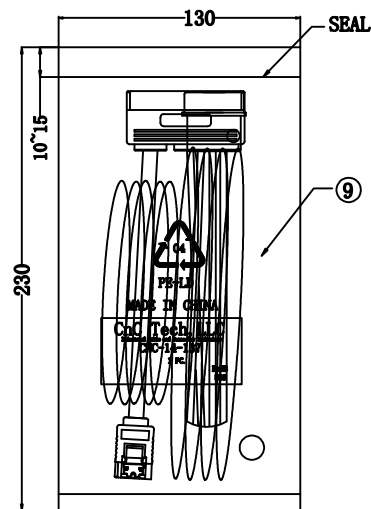
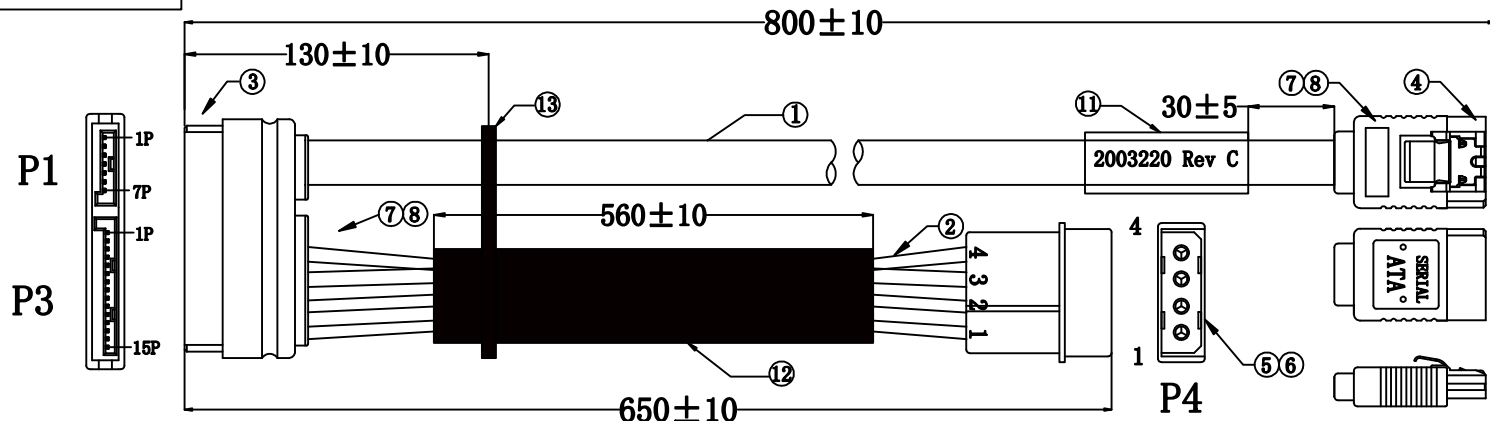


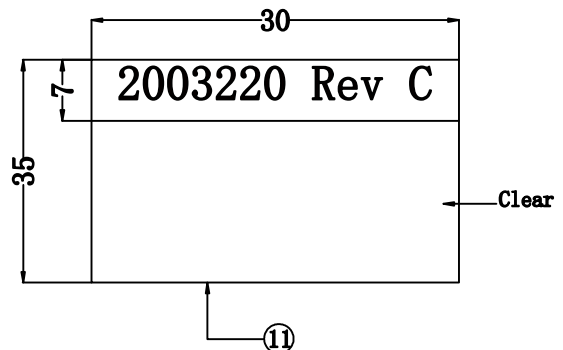
UNIT:MM



Pack without folds in wires

Electrical test:
 1. 100% short, open, miswire test
 2. Conduct resistance: 2 Ohm(max)
 3. Insulation resistance: 5Mohm(min)
 4. Hi-Pot test: DC 300V

PIN ASSIGNMENT			
P1	GND	P2	P3
1		1	13
2		2	14
3		3	15
4	GND	4	10
5		5	11
6		6	12
7	GND	7	4
			5
			6
			7
			8
			9
			1
			2
			3
			4



NO.	NAME	Q' TY	SPECIFICATION
⑬	TIE	1	Panduit PLTIM-M or Equivalent
⑫	TUBE	1	HEAT SHRINK TUBE BLACK OD:6.0mm L=600mm.
⑪	LABEL	1	BLACK TEXT ON A WHITE BACKGROUND SIZE:30*(28+7)mm PRINT:2003220 Rev C
⑩	PE BAG	1/10	CLEAR SIZE: 280*330*0.05mm PRINT BLACK"MADE IN CHINA"+10PCS"
⑨	PE BAG	1	CLEAR SIZE: 130*230*0.05mm PRINT BLACK"MADE IN CHINA"+1PC"
⑧	IN JACKET	8g	CLEAR HD-PE
⑦	OUT JACKET	13g	PVC 45P COLOR BLACK
⑥	TERMINAL	4	TERMINAL MALE HPH=5.08mm TIN-PLATED.
⑤	HOUSING	1	BIG 4PIN FEMALE HOUSING PH=5.08mm WHITE
④	CONN	1	SATA 7P/F With CLIP CONNECTOR:CRIMP TYPE TERMINAL:1U" INSULATOR:BLACK PBT
③	CONN	1	SATA 7P/F+15P/F CONNECTOR:CRIMP TYPE TERMINAL:1U" INSULATOR:BLACK PBT
②	CABLE	1	UL1007 18AWG(41/0.16 TC) OD2.0mm JACKET YELLOW L630mm.
		2	UL1007 18AWG(41/0.16 TC) OD2.0mm JACKET BLACK L630mm.
		1	UL1007 18AWG(41/0.16 TC) OD2.0mm JACKET RED L630mm.
①	CABLE	1	UL2725 [26AWG(1/0.404)*2+D(1/0.32)*2+AL]*2F OD2.2*7.8mm JACKET RED(RD-16#) L780+10/-0mm.

CnC Tech, LLC Industrial Cable and Connector Technology			
DESCRIPTION: SATA 7P/F+15P/F+7P/F+4P/F			
DRAWN BY		DARWING NO.	CNC-14-137-A
CHECKED BY		CUSTOMER	
APPROVAL BY		ITEM NO.	
DECIDE BY		DATE	2018-11-14
VERSIONS/EDITEON	A/1	PROJECTION	