

PART NAME: KNOB SCALE: 1:1 DATE: 3/2/01 DR. BY JAM

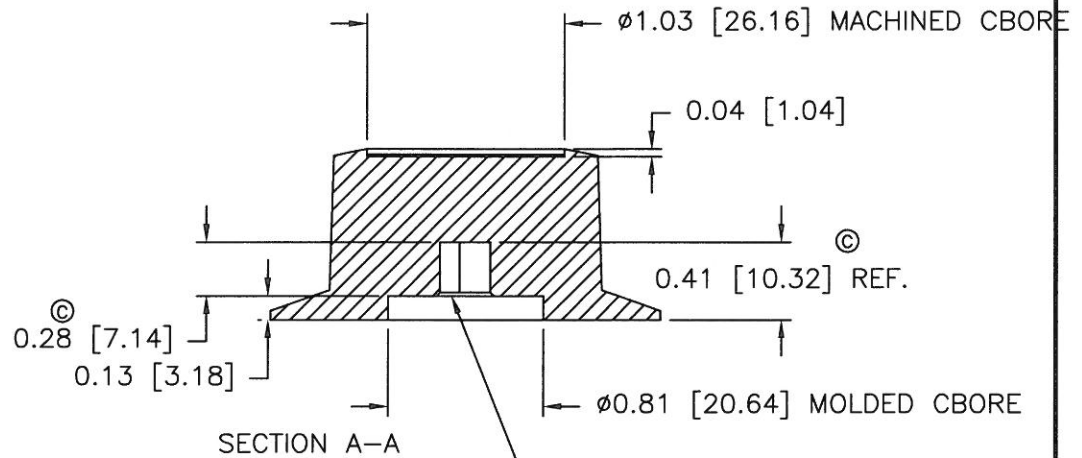
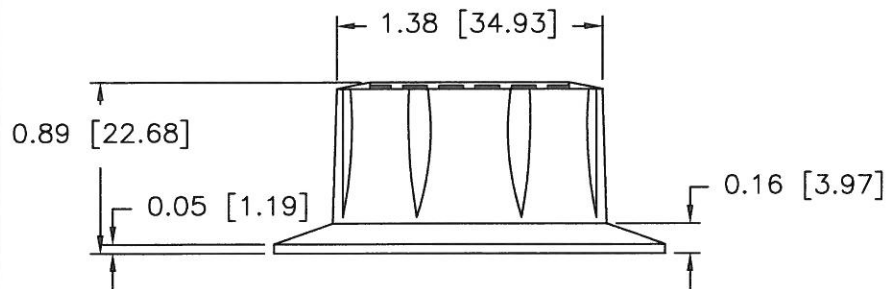
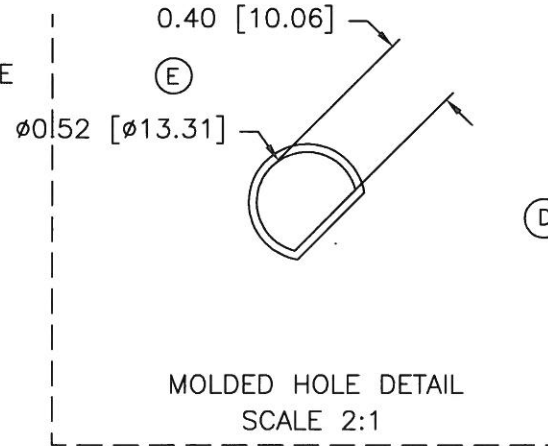
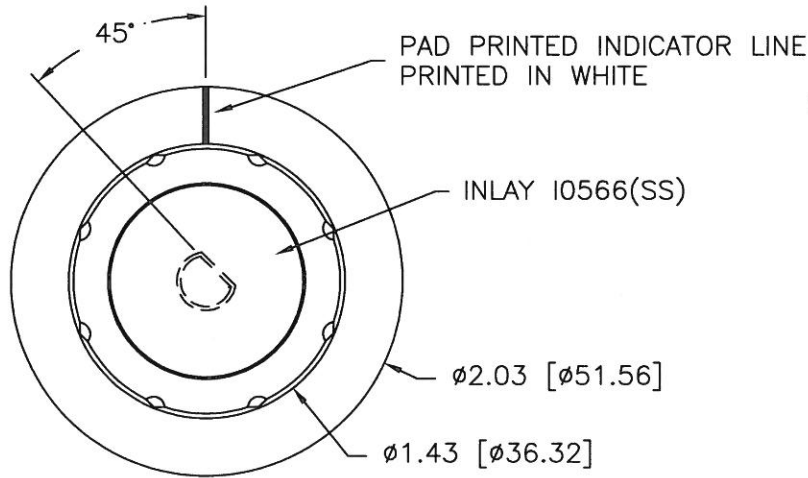
THIS DRAWING IS THE PROPERTY OF DAVIES MOLDING COMPANY, IS SUBMITTED SOLELY AS A DESIGN OR ENGINEERING PROJECT. WE ACCEPT NO RESPONSIBILITY WHATSOEVER FOR THE PRACTICAL APPLICATION OF THE PIECES MADE TO THIS DESIGN.

DAVIES MOLDING DESIGNERS & MANUFACTURERS OF KNOBS, HANDLES, CASES & CUSTOM PLASTIC COMPONENTS

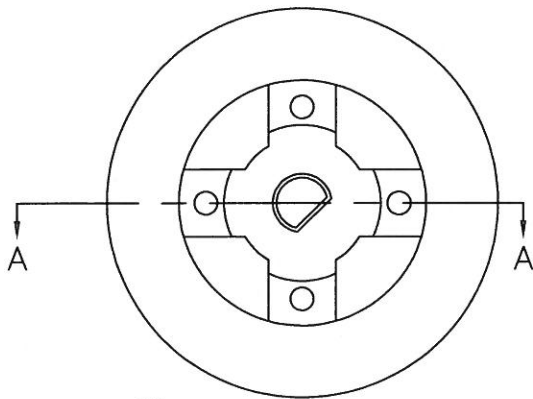
P/N 1940CA

M NO. 3140

CAVITY	1940
PLUNGER	1940
OUTER PIN	1940-A
INNER PIN	1940CA
INLAY	I0566-SS
SPRING	I2264



$\phi 6\text{MM}$ (0.24) FLATTED TO 0.180 "D" SHAPED HOLE TO ACCOMODATE SPRING I2264 (LECTRA SPRING 6610)



MATERIAL: 04311 PHENOLIC (B41)
COLOR: BLACK

F	WAS #2511 PHENOLIC (B11)	JAM	7/16/08
E	UPDATED PIN DETAIL HOLE	TS	1/28/03
D	WAS SPRING I2206	JAM	1/7/03
-	EXCLUDED FROM BASE PARTS	JAM	1/6/03

TOLERANCES: UNLESS OTHERWISE SPECIFIED	DO NOT SCALE DRAWING	C	WAS 0.50 & ADDED 0.28 (B)	TS	12/5/02
DECIMALS: X.XXX \pm .005 X.XX \pm .015	MM: X.XX \pm 0.15MM X.X \pm 0.4MM	B	WAS 0.69 (A)	TS	10/12/01
FRACTIONS \pm 1/64	ANG. \pm 1'	A	MODIFIED HOLE DEPTH TO MATCH PART	JAM	10/1/01
		-	WAS SK1940-07	JAM	3/2/01
CHANGES					