



Mini Remote Control Toy Car (Blue)

SKU 114090055

You can use the remote control to control the car to walk. The car has its own shock absorption mechanism. This means you can drive the car through many rugged roads. Of course, you can also carry out car modification. We look forward to using Arduino. /Seeeduino, Raspberry pi gives the car smart.

Mini Remote Control Toy Car (blue) is a cool toy. You can use the remote control to control the car to walk. The car has its own shock absorption mechanism. This means you can drive the car through many rugged roads. Of course, you can also carry out car modification. We look forward to using Arduino. /Seeeduino, Raspberry pi gives the car smart.



Independent suspension system

Independent suspension design,
Dedicated wheel damper for all four wheels

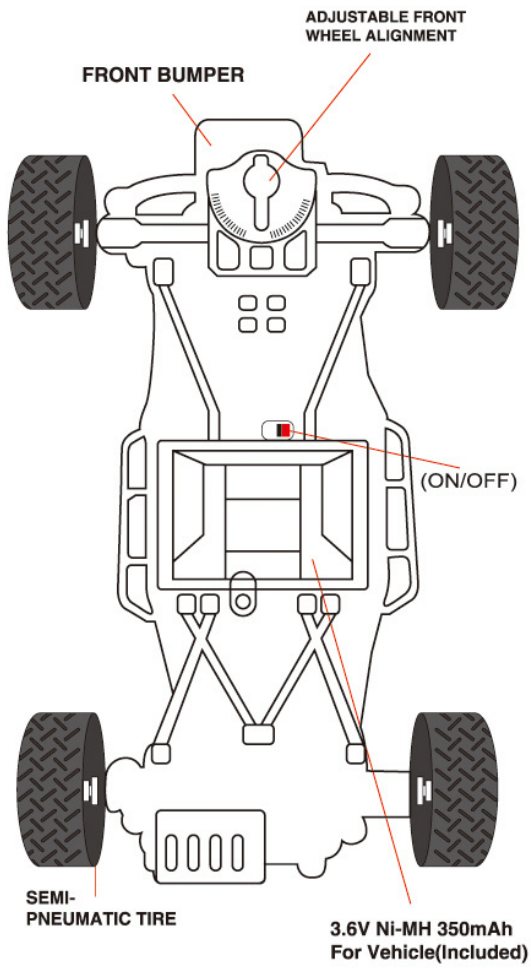
Fully elastic, good shock absorption

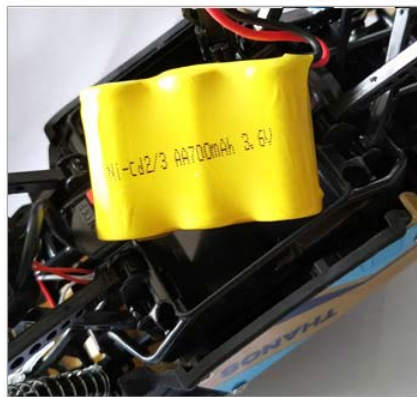
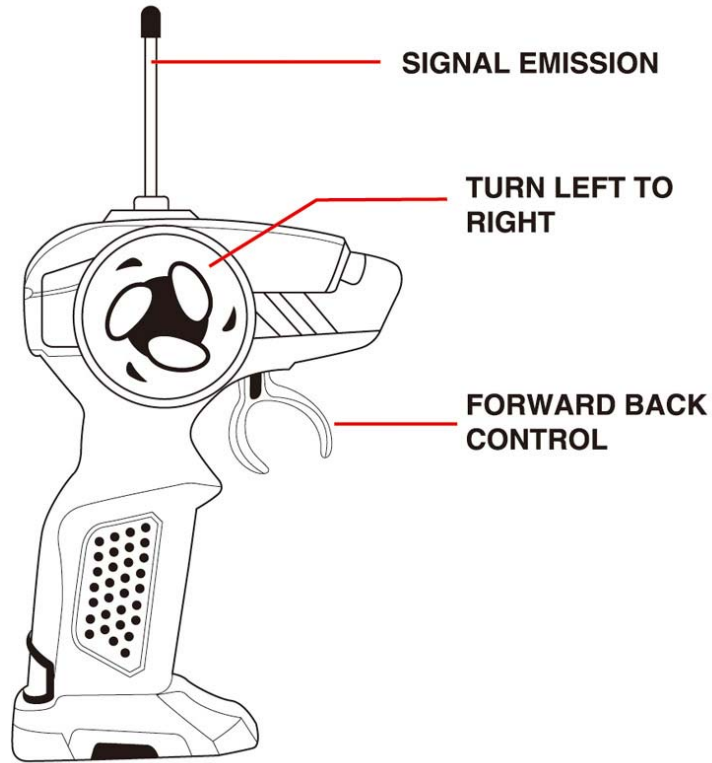
Anti-collision protection

Strong front and rear guards for better protection during driving and climbing



Large twist angle





Part List:

1 x remote control car

1 x remote control

1 USB charger

1 x car battery

Remarks: no remote control battery

ECCN/HTS

ECCN	5A991.b
HSCODE	9023009000
UPC	