

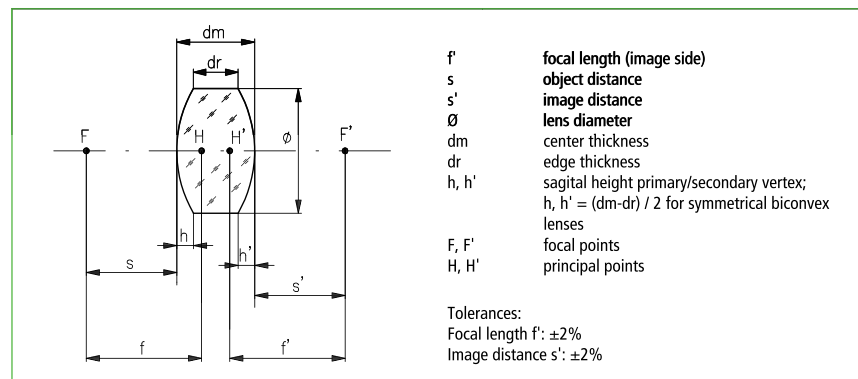
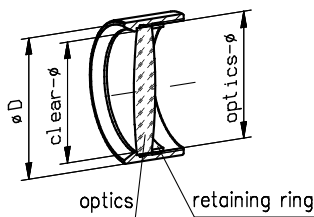


### Bikonvexlinsen, gefasst, Durchmesser 25.4 und 31.5 mm

- In Fassungen kompatibel zur Mikrobank ☒
- Linsen bester Form für 1:1-Abbildungen
- Unbeschichtet
- Toleranzen: Brennweite  $f'$ :  $\pm 2\%$ , Bildentfernung  $s'$ :  $\pm 2\%$
- Zwei gleiche Krümmungsradien

### Symmetric-Convex Lenses, Mounted, Dia. 25.4 and 31.5 mm

- Lens mounts fit to Microbench ☒
- Precision designed for 1:1 imaging
- Surfaces uncoated
- Tolerances: Focal length  $f'$ :  $\pm 2\%$ , Image distance  $s'$ :  $\pm 2\%$
- Two equal radii of curvature



### Bikonvexlinsen, gefasst, Durchmesser 25.4 und 31.5 mm Symmetric-convex lenses, mounted, dia. 25.4 and 31.5 mm

| Fassung | Brennweite (mm)   | Optik-Ø (mm)  | Material | Außen-Ø D (mm) | Freier-Ø (mm) | dm (mm) | dr (mm) | $s, s'_{588\text{ nm}}$ (mm) | $f'_{546\text{ nm}}$ (mm) | Ø* | Part No.   |
|---------|-------------------|---------------|----------|----------------|---------------|---------|---------|------------------------------|---------------------------|----|------------|
| Mount   | Focal length (mm) | Ø optics (mm) | Material | Outer-Ø D (mm) | Clear Ø (mm)  | dm (mm) | dr (mm) | $s, s'_{588\text{ nm}}$ (mm) | $f'_{546\text{ nm}}$ (mm) | Ø* | Part No.   |
| ☒       | 30                | 25.4          | N-BK7    | 30             | 24            | 7       | 1.4     | 27.89                        | 30.18                     | 14 | G063851000 |
| ☒       | 50                | 25.4          | N-BK7    | 30             | 24            | 7       | 3.8     | 48.24                        | 50.42                     | 14 | G063852000 |
| ☒       | 80                | 25.4          | N-BK7    | 30             | 24            | 7       | 5       | 77.36                        | 79.41                     | 14 | G063853000 |
| ☒       | 100               | 25.4          | N-BK7    | 30             | 24            | 7       | 5.4     | 98.41                        | 100.4                     | 14 | G063854000 |
| ☒       | 150               | 25.4          | N-BK7    | 30             | 24            | 7       | 6       | 147.8                        | 149.6                     | 14 | G063855000 |
| ☒       | 30                | 31.5          | N-SK2    | 35             | 30            | 9.5     | 2       | 27.03                        | 30.02                     | 14 | G063151000 |
| ☒       | 40                | 31.5          | N-BK7    | 35             | 30            | 8.3     | 2.1     | 39.09                        | 41.77                     | 14 | G063012000 |
| ☒       | 50                | 31.5          | N-BK7    | 35             | 30            | 7       | 2.1     | 49.45                        | 51.62                     | 14 | G063013000 |
| ☒       | 70                | 31.5          | N-BK7    | 35             | 30            | 5.5     | 2.1     | 69.57                        | 71.15                     | 14 | G063014000 |
| ☒       | 100               | 31.5          | N-BK7    | 35             | 30            | 4.8     | 2.4     | 98.41                        | 100                       | 14 | G063153000 |
| ☒       | 130               | 31.5          | N-BK7    | 35             | 30            | 4       | 2.2     | 129.3                        | 130.14                    | 14 | G063155000 |

Ø\* Eine Tabelle mit weiteren Spezifikationen finden Sie zu Beginn dieses Kapitels.  
Please find more specifications in the table at the beginning of this chapter.

### A closer look



Die Spezifikationen der Fassungen wie Abmessungen, Toleranzen etc. finden Sie im Kapitel "Aufbaumaterial", Abschnitt "Mikrobank- und Nanobank Fassungen".

For specifications of the mounts, such as dimensions, tolerances, etc., please look at chapter "Mounts and Posts", section "Mounts for Microbench and Nanobench".