

SAC-2P-MICMR/.../...

Order No.: 1547122

<http://eshop.phoenixcontact.de/phoenix/treeViewClick.do?UID=1547122>Sensor/actuator cable, 2-pos., variable cable, angled 1/2"-20UNF
connector on the free conductor end, length: variable 0.2 to 40.0 m**Commercial data**

Pack	1 pcs.
Customs tariff	85444290
Catalog page information	Page 96 (PC-2007)

Product notesWEEE/RoHS-compliant since:
04/05/2007

<http://www.download.phoenixcontact.com>
Please note that the data given here has been taken from the online catalog. For comprehensive information and data, please refer to the user documentation. The General Terms and Conditions of Use apply to Internet downloads.

Technical data**General data**

Nominal current I_N	4 A
Nominal voltage U_N	250 V
Number of positions	2
Volume resistance	$\leq 5 \text{ m}\Omega$
Insulation resistance	$\geq 100 \text{ M}\Omega$

Length of cable	Free input (0.2 ... 40.0 m)
Ambient temperature (operation)	-25 °C ... 90 °C (plug/socket)

General characteristics

Coding	C - dual keyway
Inflammability class acc. to UL 94	HB
Surge voltage category	II
Pollution degree	3
Degree of protection	IP65/IP67/IP69K
Contact material	CuSn
Contact surface material	Ni/Au
Contact carrier material	TPU GF
Material of grip body	TPU, hardly inflammable, self-extinguishing
Material, knurls	Nickel-plated brass
Status display	No
Test voltage	2500 V

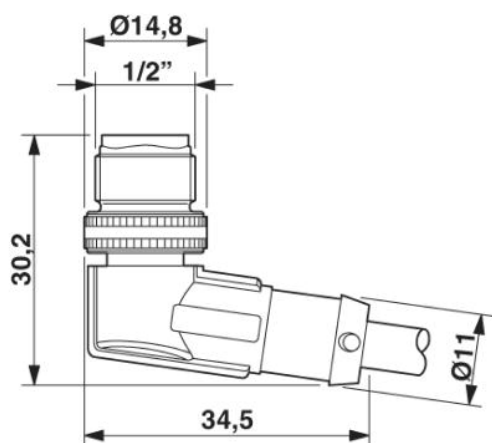
Line characteristics

Note	This order comprises a cable with a freely selectable cable type. As a result, technical data about the cable types available for selection is not displayed here. This information is available on request.
------	--

Drawings

Dimensioned drawing

1/2"-20UNF connector, angled

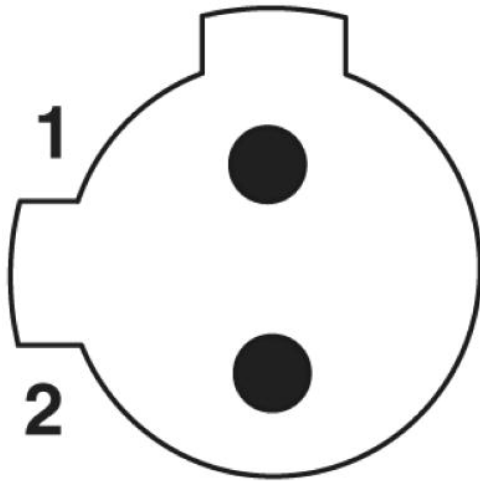


Circuit diagram



Contact assignment of 1/2" UNF plugs / sockets

Schematic diagram



Pin assignment 1/2"-20UNF plug, 2-pos., view male side

Address

PHOENIX CONTACT GmbH & Co. KG
Flachsmarktstr. 8
32825 Blomberg, Germany
Phone +49 5235 3 00
Fax +49 5235 3 41200
<http://www.phoenixcontact.com>



© 2009 Phoenix Contact
Technical modifications reserved;