

Reference Drawing

Connectors Interface

According to IEC 60169-4

Electrical

Characteristic Impedance: 50 ohm
 Frequency Range: DC-6GHz
 VSWR: ≤ 1.15
 Dielectric Withstanding Voltage : $\leq 4000V$ RMS,50Hz,at sea level
 Dielectric Resistance: $\geq 10000M\Omega$
 Contact Resistance: Center Contact $\leq 0.4m\Omega$
 Outer Contact $\leq 1.0m\Omega$
 PIM3: $\leq -160dBc(2*20W)$

Mechanical

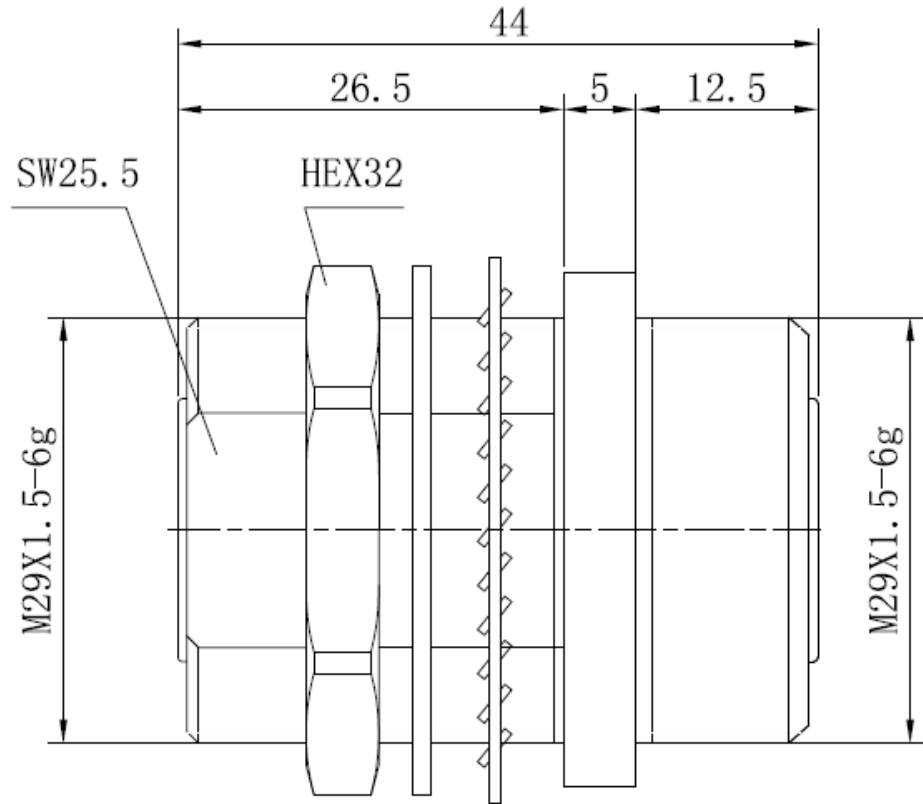
Durability: Mating cycles ≥ 500

Material and plating

	Material	Plating
Body:	Brass	Tri-Alloy
Insulator:	PTFE	-
Center conductor:	Phosphor Bronze	Ag

Environmental

Temperature Range: $-40^{\circ}C \sim +85^{\circ}C$
 ROHS-compliance: Full ROHS compliance



R o H S Compliant $Cd \leq 75ppm$	
REMARKS	BRASS: $Cd \leq 75ppm$ PHOSPHOR BRONZE: $Pb < 4wt\%$

SCALE NONE		PART NUMBER
UNIT mm		7/16-BA-JJ-6G
DATE 2025/03/05	PROJECTION 	TO-CONNE CO.,LTD