

Cable Connectors

Straight Cable Plugs (male)

- > for semi-rigid cables
- > cable entry soldered
- > centre contact soldered

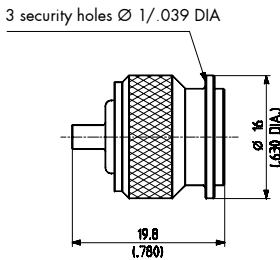


Fig. 1

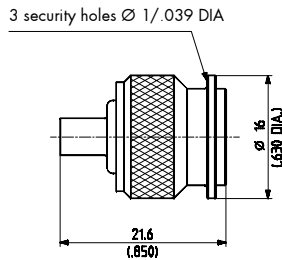
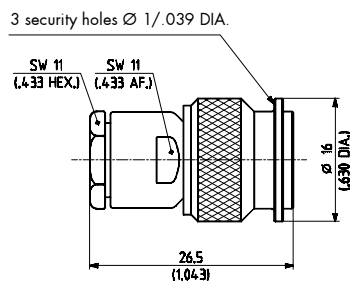


Fig. 2



SUHNER TYPE	Order No.	Cable Group (example)	Packaging	Assembly Instruction	Fig.	Notes
11 TNC-50-2-20 / 103 NE ☒	22642519	Y3, Y11 (EZ 86)	single	9100	1	
11 TNC-50-3-29 / 103 NE ☒	22641997	Y5, Y12 (EZ 141)	single	9106	2	

- > for flexible cables
- > cable entry clamp
- > centre contact soldered

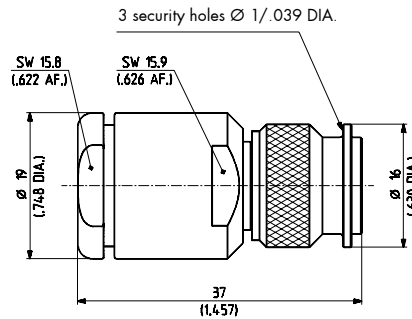


SUHNER TYPE	Order No.	Cable Group (example)	Packaging	Assembly Instruction	Notes
11 TNC-50-2-1 / 133 NE	22640783	U2 (RG 316/U)	single	3005	
11 TNC-50-3-5 / 133 NE	22640798	U7,10 (RG 58C/U)	single	3005	
11 TNC-50-3-6 / 133 NE ☒	22543475	U7,10 (RG 58C/U)	single	3004	

☒ centre contact NOT captivated

Straight Cable Plugs (male)

- > for flexible cables
- > cable entry clamp
- > centre contact soldered



SUHNER TYPE	Order No.	Cable Group (example)	Packaging	Assembly Instruction	Notes
11 TNC-50-7-2 / 133 NE	22640466	U28 (RG 213/U) U33 (RG 214/U)	single	3008	

- > for flexible cables
- > SUHNER® full crimp
- > for taper sleeves [CLICK HERE](#)

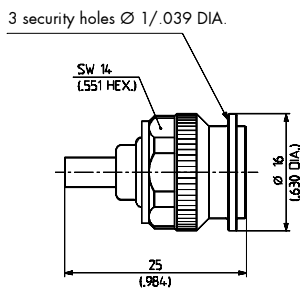


Fig. 1

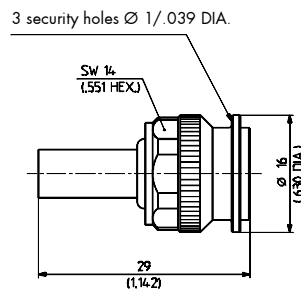


Fig. 2

SUHNER TYPE	Order No.	Cable Group (example)	Packaging	Assembly Instruction	Crimp Insert	Fig.
11 TNC-50-2-112 / 133 NE	23001710	U2 (RG 316/U)	single	27215	1 A	1
11 TNC-50-2-113 / 133 NE	23001711	U4 (K 02252 D)	single	27215	1 A	1
11 TNC-50-3-115 / 133 NE	23001712	U9 (RG 223/U)	single	3015	2 B	2
11 TNC-50-3-116 / 133 NE	23001714	U7 (RG 58 C/U)	single	3015	2 B	2
11 TNC-50-3-117 / 133 NE	23010015	U11 (RG 400/U)	single	3015	2 B	2

Right Angle Cable Plugs (male)

- > for flexible cables
- > cable entry clamp
- > centre contact soldered

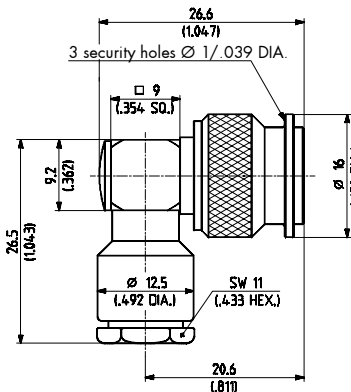


Fig. 1

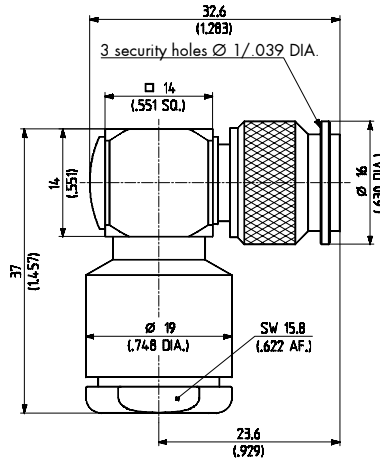
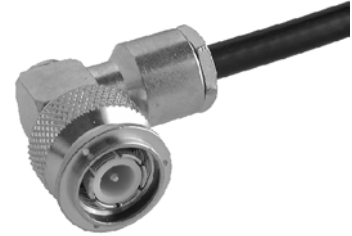
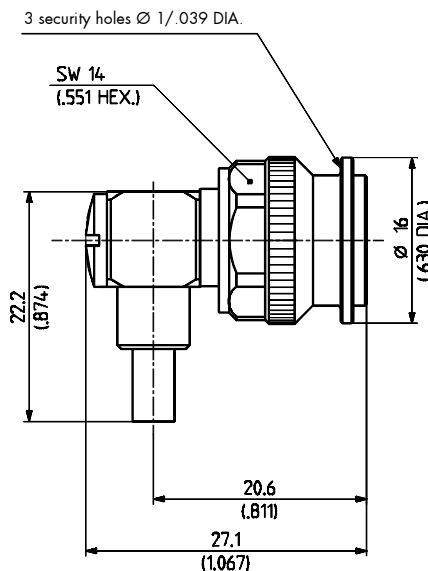


Fig. 2



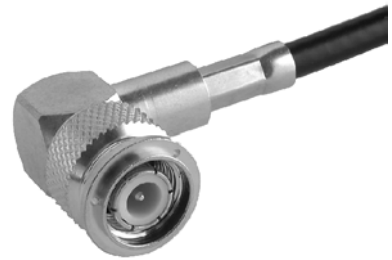
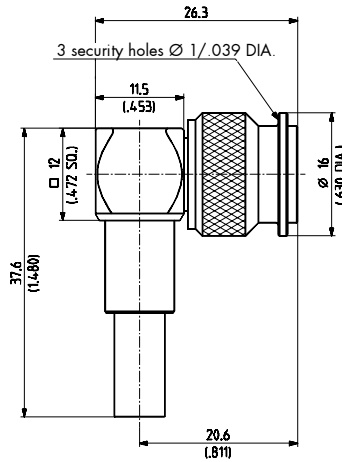
SUHNER TYPE	Order No.	Cable Group (example)	Packaging	Assembly Instruction	Fig.	Notes
16 TNC-50-3-5 / 133 NE	22640485	U7,10 (RG 58C/U)	single	3024	1	
16 TNC-50-7-4 / 133 NE	22651587	U28 (RG 213/U) U33 (RG 214/U)	single	3003	2	

- > for flexible cables
- > cable entry crimp
- > centre contact soldered
- > for taper sleeves [CLICK HERE](#)



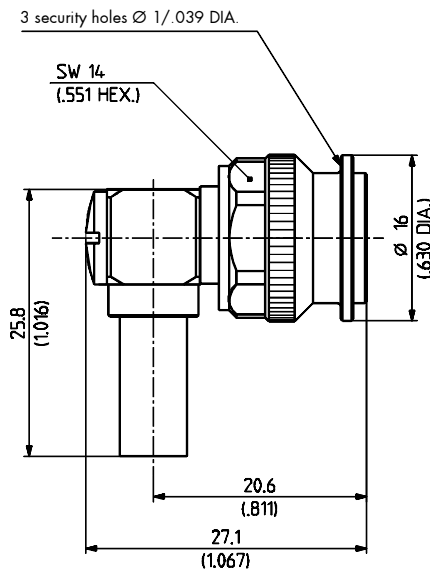
SUHNER TYPE	Order No.	Cable Group (example)	Packaging	Assembly Instruction	Crimp Insert
16 TNC-50-2-119 / 133 NE	23010087	U2 (RG 316/U)	single	27216	A
16 TNC-50-2-7 / 133 NE	23001716	U4 (K 02252 D)	single	27216	A

- > for flexible cables
- > SUHNER® full crimp
- > for taper sleeves [CLICK HERE](#)



SUHNER TYPE	Order No.	Cable Group (example)	Packaging	Assembly Instruction	Crimp Insert
16 TNC-50-3-13 / 133 NE	22640492	U7 (RG 58 C/U)	single	3015	2 B
16 TNC-50-3-18 / 133 NE	22543606	U9 (RG 223/U)	single	3015	2 B

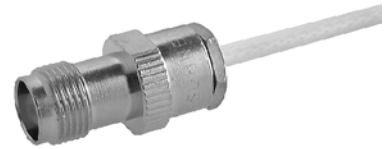
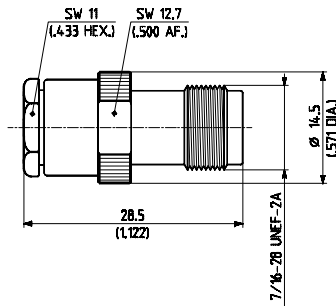
- > for flexible cables
- > cable entry crimp
- > centre contact soldered
- > for taper sleeves [CLICK HERE](#)



SUHNER TYPE	Order No.	Cable Group (example)	Packaging	Assembly Instruction	Crimp Insert
16 TNC-50-3-111 / 133 NE	23001717	U9 (RG 223/U)	single	27218	B
16 TNC-50-3-112 / 133 NE	23010115	U7 (RG 58 C/U)	single	27218	B
16 TNC-50-4-115 / 133 NE	23001718	S16 (S 04262 D)	single	27219	C

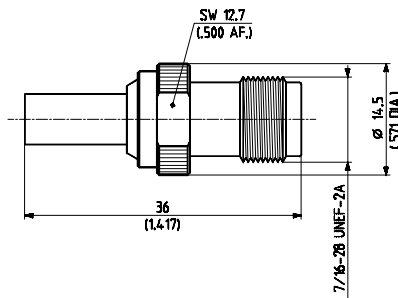
Straight Cable Jacks (female)

- > for flexible cables
- > cable entry clamp
- > centre contact soldered



SUHNER TYPE	Order No.	Cable Group (example)	Packaging	Assembly Instruction	Notes
21 TNC-50-2-2 / 133 NE	22640515	U2 (RG 316/U)	single	3005	
21 TNC-50-3-4 / 133 NE	22640523	U7,10 (RG 58C/U)	single	3005	

- > for flexible cables
- > SUHNER® full crimp
- > for taper sleeves [CLICK HERE](#)



SUHNER TYPE	Order No.	Cable Group (example)	Packaging	Assembly Instruction	Crimp Insert
21 TNC-50-3-7 / 133 NE	22640526	U7 (RG 58 C/U)	single	3015	2 B
21 TNC-50-3-9 / 133 NE	22641755	U9 (RG 223/U)	single	3015	2 B

Straight Bulkhead Cable Jacks (female)

- > for semi-rigid cables
- > cable entry soldered
- > with panel seal
- > for insulating washers [CLICK HERE](#)

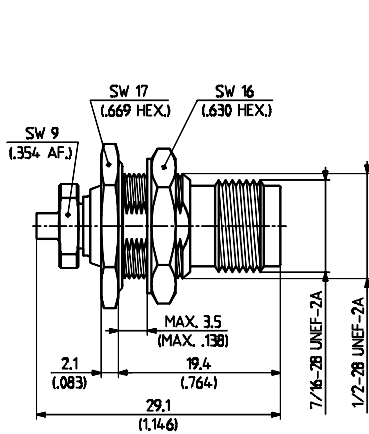


Fig. 1

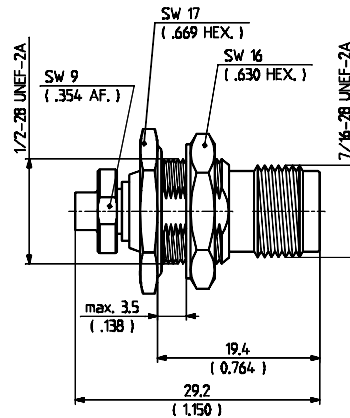
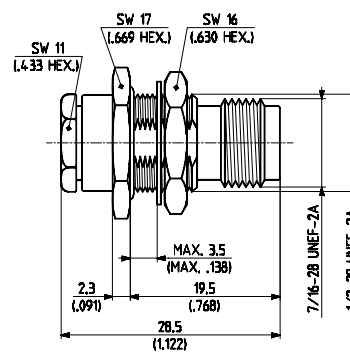


Fig. 2

SUHNER TYPE	Order No.	Cable Group (example)	Packaging	Assembly Instruction	Mounting Hole	Fig.
24 TNC-50-2-31 / 133 NE	23001721	Y3, Y11 (EZ 86)	single	27269	ML 4	1
24 TNC-50-3-30 / 133 NH	23001723	Y5, Y12 (EZ 141)	bulk 100 pcs.	27220	ML 4	2

- > for flexible cables
- > cable entry clamp
- > centre contact soldered
- > with panel seal
- > for insulating washers [CLICK HERE](#)



SUHNER TYPE	Order No.	Cable Group (example)	Packaging	Assembly Instruction	Mounting Hole
24 TNC-50-2-1 / 133 NE	22543398	U2 (RG 316/U)	single	3005	ML 4

☒ centre contact NOT captivated

- > for flexible cables
- > SUHNER® full crimp
- > with panel seal
- > for taper sleeves [CLICK HERE](#)
- > for insulating washers [CLICK HERE](#)

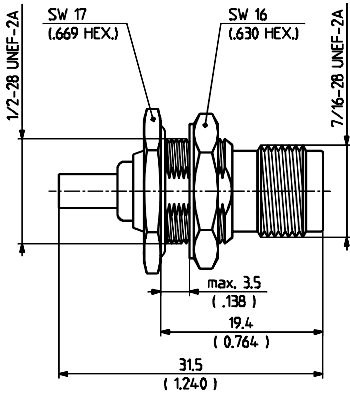


Fig. 1

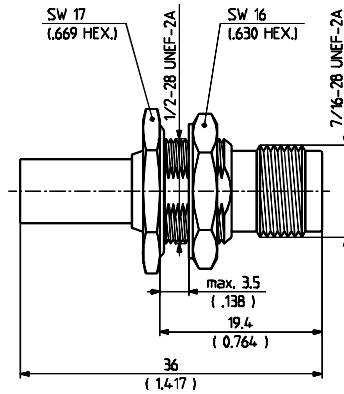
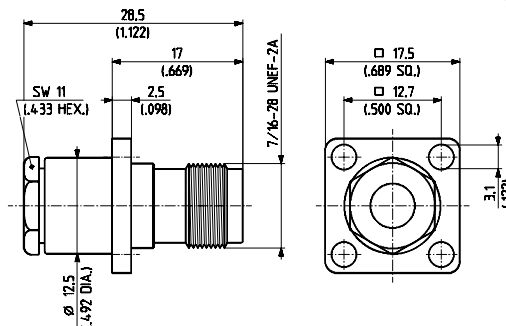
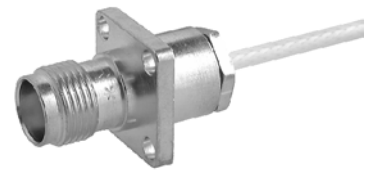


Fig. 2

SUHNER TYPE	Order No.	Cable group (example)	Packaging	Assembly Instruction	Mounting Hole	Crimp Insert	Fig.
24 TNC-50-2-27 / 133 NE	23001719	U2 (RG 316/U)	single	9068	ML 4	1 A	1
24 TNC-50-2-29 / 133 NH	23001720	U4 (K 02252 D)	bulk 100 pcs.	9068	ML 4	1 A	1
24 TNC-50-3-21 / 133 NE	23001722	U9 (RG 223/U)	single	27221	ML 4	2 B	2
24 TNC-50-3-23 / 133 NE	23010150	U7 (RG 58 C/U)	single	27221	ML 4	2 B	2

Straight Panel Cable Jacks (female)

- > for flexible cables
- > cable entry clamp
- > centre contact soldered
- > for fastening screws [CLICK HERE](#)



SUHNER TYPE	Order No.	Cable Group (example)	Packaging	Assembly Instruction	Mounting Hole
25 TNC-50-2-1 / 133 NE	22640578	U2 (RG 316/U)	single	3005	ML 8
25 TNC-50-3-9 / 133 NE	22643707	U7,10 (RG 58C/U)	single	3005	ML 8

- > for flexible cables
- > SUHNER® full crimp
- > for fastening screws [CLICK HERE](#)
- > for taper sleeves [CLICK HERE](#)

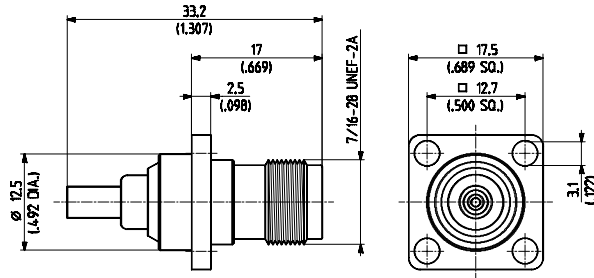
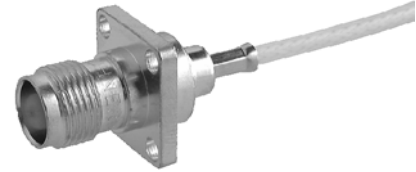


Fig. 1

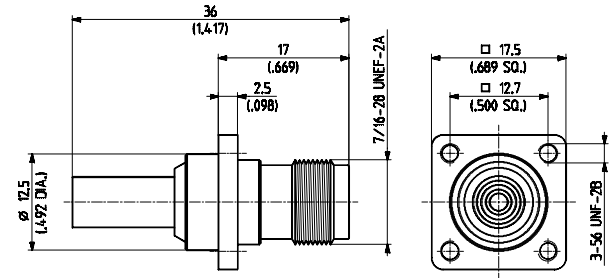


Fig. 2

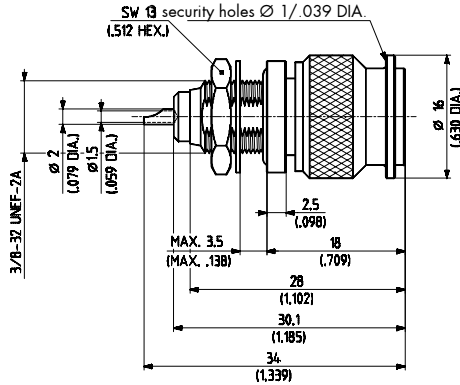
SUHNER TYPE	Order No.	Cable Group (example)	Packaging	Assembly Instruction	Mounting Hole	Crimp Insert	Fig.
25 TNC-50-2-11 / 133 NE	22643545	U2 (RG 316/U)	single	9068	ML 8	1 A	1
25 TNC-50-3-14 / 133 NE	22543594	U7 (RG 58 C/U)	single	3015	ML 8	2 B	2 *

* mounting also possible with screws ISO M 2.5

Receptacles with Solder End

Receptacles, Plug (male)

- > bulkhead mounted
- > with panel seal
- > for insulating washers [CLICK HERE](#)
- > for solder tags [CLICK HERE](#)



SUHNER TYPE	Order No.	Packaging	Mounting Hole	Notes
12 TNC-50-0-1 / 133 NE	22640467	single	ML 2	

SUHNER® TNC 50 Ω

Receptacles, Jack (female)

- > bulkhead mounted
- > for insulating washers [CLICK HERE](#)
- > for solder tags [CLICK HERE](#)

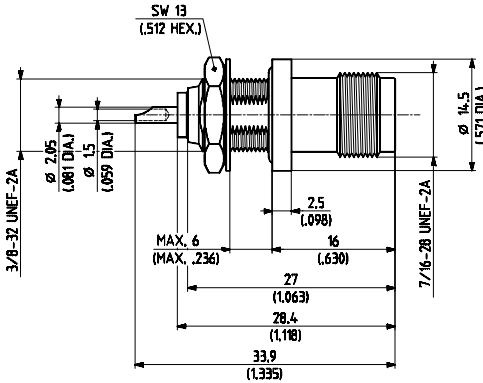


Fig. 1

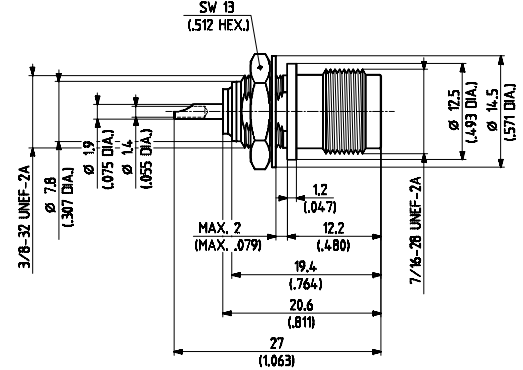
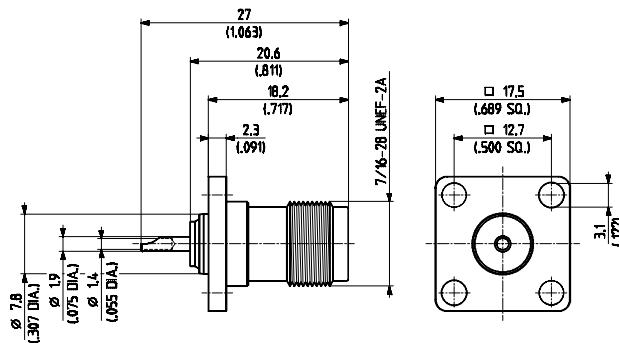


Fig. 2

SUHNER TYPE	Order No.	Packaging	Mounting Hole	Fig.	Notes
22 TNC-50-0-1 / 133 NE	22640537	single	ML 1	1	with panel seal
22 TNC-50-0-2 / 133 NE	22640539	single	ML 2	2	

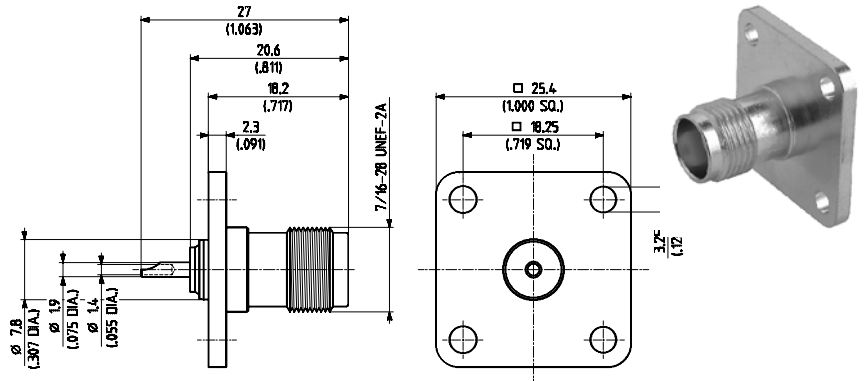
Receptacles, Jack (female)

- > panel mounted
- > for fastening screws [CLICK HERE](#)



SUHNER TYPE	Order No.	Packaging	Mounting Hole	Notes
23 TNC-50-0-2 / 133 NE	22640549	single	ML 6	

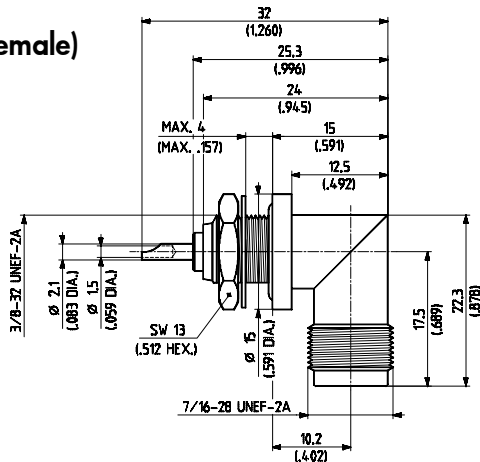
- > panel mounted
- > for fastening screws [CLICK HERE](#)



SUHNER TYPE	Order No.	Packaging	Mounting Hole	Notes
23 TNC-50-0-6 / 133 NE	22640551	single	ML 5	suitable for SUCOBOX® applications (CLICK HERE)

Right Angle Receptacles, Jack (female)

- > bulkhead mounted
- > with panel seal
- > for insulating washers [CLICK HERE](#)
- > for solder tags [CLICK HERE](#)



SUHNER TYPE

27 TNC-50-0-1 / 133 NE

Order No.

22543405

Packaging

single

Mounting Hole

[ML 2](#)

Notes