

SPECIAL LENGTH
7 MODULE SIZE

GENERAL CHARACTERISTICS AND ROHS INFORMATIONS:

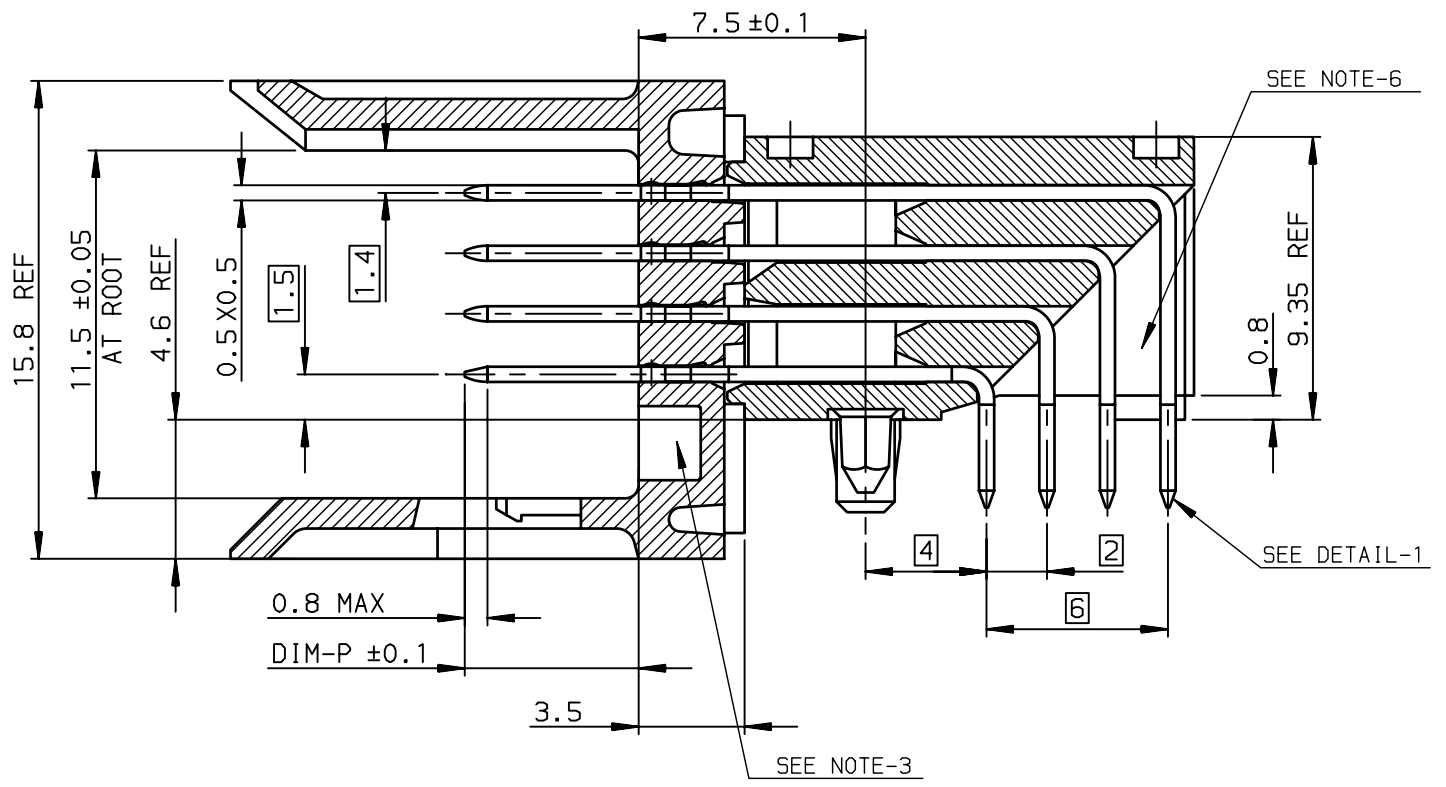
SEE PRODUCT SPECIFICATION GS-12-446

- NOTE-2: ONE CENTER PEG FOR HOLD DOWN FORCE
- NOTE-3: CODING RECESS FOR 8MM EXTENDED KEYS
- NOTE-4: PRODUCT MARKING = FCI + BATCH CODE + PRODUCT NUMBER
FOR 6 MODULE SIZE, ADD CSA LOGO MARKING
- NOTE-6: CENTRAL WALL WITH END REAR SUPPORT
- NOTE-7: PACKAGING IN TRAY + COVER
IF SUFFIX "P" IS ADDED IN P/N PACKAGING IS IN TRAYS
BUT CONNECTOR MARKING IS WITHOUT "P"
EXAMPLE: HM1XXXXXXXXXH6P, MARKED HM1XXXXXXXXXH6

TIN LEAD VERSION
Part Number: HM1L49AAP014H6P

LEAD FREE VERSION
Part Number: HM1L49AAP014H6PLF

SECTION-A SCALE: 4/1



OTHERS INFORMATIONS, SEE DRW C-8626-0799-2

European Views

www.fciconnect.com		surface ISO 1302 ✓	tolerance std ISO 406 ISO 1101	projection mm
TOLERANCES UNLESS OTHERWISE SPECIFIED				
Dr	CHAMPION	1997/01/15	ANGULAR	0.X ±0.1
Eng	LENOIR	1997/01/15	LINEAR	0.XX ±0.1
Chr	LEGARE	1997/01/15	0.XX' ±2'	0.XXX ±0.1
Appr	LEGARE	1997/01/15	Product family	METRAL
size				A3
Scale				2.5
ECN				LS07-0184
Spec ref				-

rev	ecn no	dr	date
F	-	CHA	2003/07/16
G	LS05-001	MLE	2005/03/15
H	LS06-0097	LGO	2006/07/24
J	LS07-0184	MLE	2007/07/24
-	-	-	-
-	-	-	-
-	-	-	-

FCI METRAL RA HEADER WB CONVERGED
4X42 CTS - STB - PUSH PEG

title
catalog no

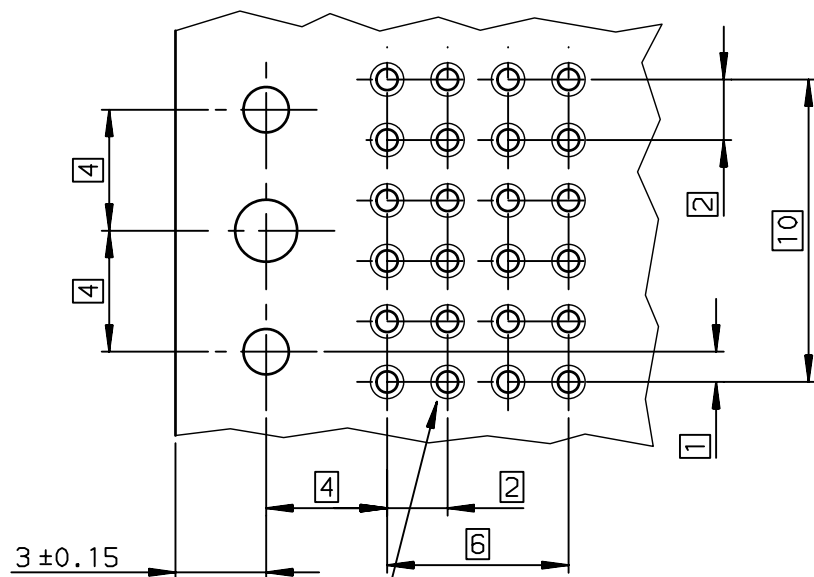
dwg no
C-8626-0799-1

Rev.
J

CUSTOMER sheet 1 of 2

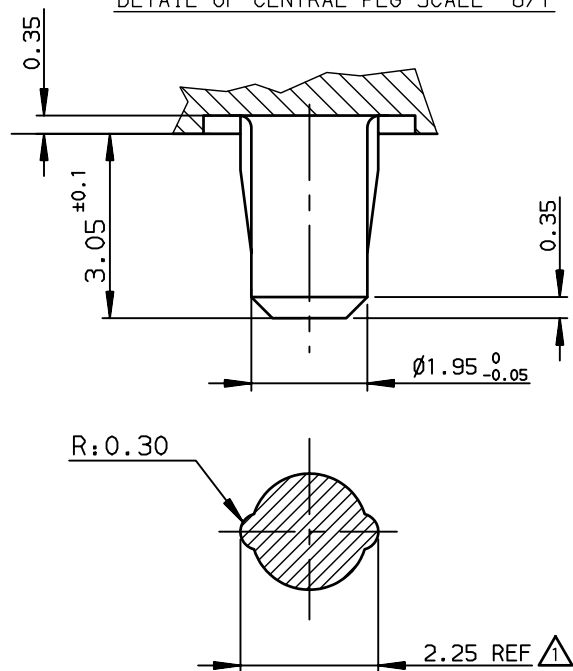
Copyright FCI. FCI

RECOMMENDED PCB LAYOUT
PER 12MM LENGTH



Hole according to product spec
GS-12-445 (for press-fit) ,
GS-12-446 (for STB)

DETAIL OF CENTRAL PEG SCALE 8/1



TIN LEAD PART NUMBER

PART NUMBER / CONTACT LOADING							
DIM-P ±0.10				DIM-D ±0.3	P/N AND PERFORMANCE LEVEL		SP N°
ROW-A	ROW-B	ROW-C	ROW-D				
5.00	5.00	5.00	5.00	2.90	HM1L49AAP014H6P		014
5.00	5.00	5.00	5.00	3.70	HM1L49ABP014H6P		
6.50	5.00	5.00	5.00	3.70	HM1L49BBP014H6P		

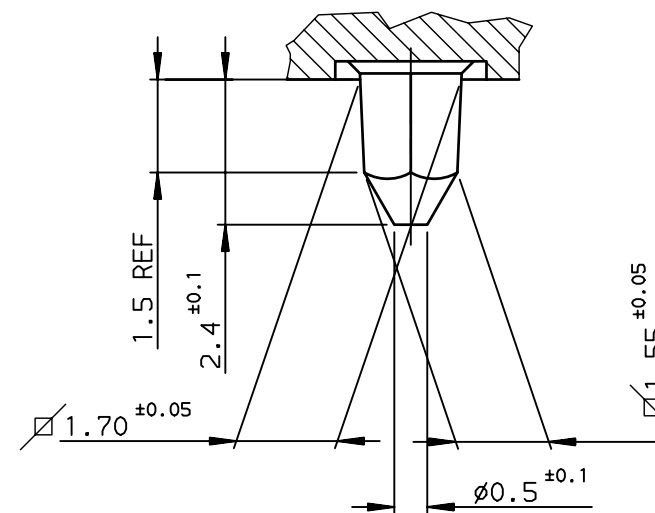
STANDARD MATING LENGTHS = 5.75 (AND 5.00-6.50)
STANDARD TERMINATION LENGTH = 2.90

LEAD FREE PART NUMBER

PART NUMBER / CONTACT LOADING							
DIM-P ±0.10				DIM-D ±0.3	P/N AND PERFORMANCE LEVEL		SP N°
ROW-A	ROW-B	ROW-C	ROW-D				
5.00	5.00	5.00	5.00	2.90	HM1L49AAP014H6PLF		014
5.00	5.00	5.00	5.00	3.70	HM1L49ABP014H6PLF		
6.50	5.00	5.00	5.00	3.70	HM1L49BBP014H6PLF		

STANDARD MATING LENGTHS = 5.75 (AND 5.00-6.50)
STANDARD TERMINATION LENGTH = 2.90

DETAIL OF LOCATING PEGS (2x) SCALE 8/1



OTHERS INFORMATIONS, SEE DRW C-8626-0799-1

European Views

www.fciconnect.com		surface ISO 1302	tolerance std ISO 406 ISO 1101	projection mm
TOLERANCES UNLESS OTHERWISE SPECIFIED				
Dr	CHAMPION	2000/07/27	ANGULAR	0.X ±0.1
Eng	LENOIR	2000/07/27	LINEAR	0.XX ±0.1
Chr	LEGARE	2000/07/27	0.XX' ±2'	0.XXX ±0.1
Appr	LEGARE	2000/07/27	Product family	METRAL
Title				size
METRAL RA HEADER WB CONVERGED				A3
7 MODULE - STB - PUSH PEG				Scale
catalog no				4
dwg no				ECN
C-8626-0799-2				LS07-0184
Rev.				Spec ref
J				-
CUSTOMER				sheet 2 of 2

rev	ecn no	dr	date
E	-	CHA	2003/03/18
G	LS05-001	MLE	2005/03/15
H	LS06-0097	LGO	2006/07/24
J	LS07-0184	MLE	2007/07/24
-	-	-	-
-	-	-	-
-	-	-	-



Copyright FCI.