

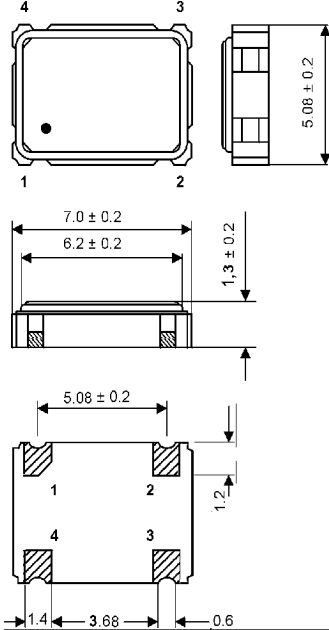


Clock Oscillator SMD-version

+3,3V

part no.	12.92183
model	KXO-V97T
frequency	12.0 MHz
frequency stability -40° ~ + 85°C	±25 ppm
operating temperature	-40° ~ +85°C
storage temperature	-40° ~ +85°C
symmetry	50% ± 10% at ½ V _{DD} level
rise & fall time max.	5 ns
"0" level max.	+ 0.4V
"1" level min.	V _{DD} - 0.5V
input voltage V _{DD}	+ 3.3V ±10%
input current	4.0 mA typ., 6.0 mA max
output load HCMOS	30 pF
start up time max.	10 ms
tristate function	yes
disable delay time max.	50 µs
enable delay time max.	4 ms
phase jitter	(12 kHz – 20 MHz) with 1 ps
random jitter	7ps max.
peak to peak jitter	40ps max.
contents of reel	1000 pcs.

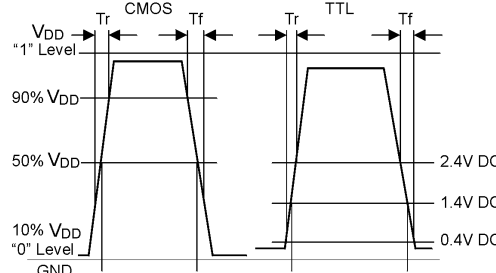
Dimensions (mm):



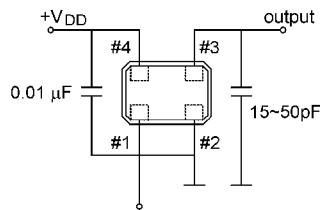
PIN	CONNECTION
1	"L" (OV) "H" or OPEN
2	GND
3	Z OUTPUT
4	V _{DD}

Z: high impedance

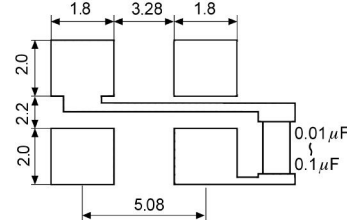
Output waveform:



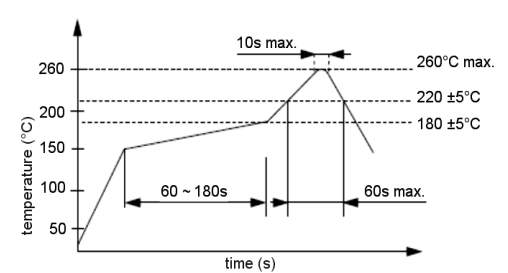
Test circuit:



Suggested soldering pad:



Reflow soldering condition:



Tape specification:

