



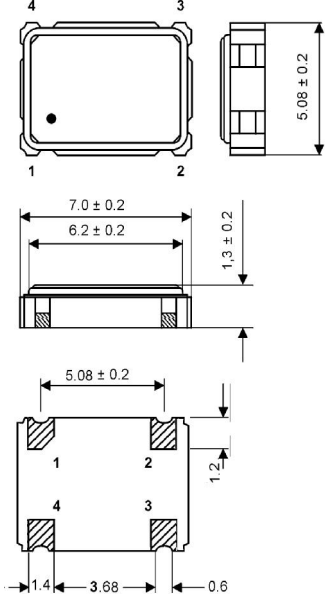
## Clock Oscillator

SMD-version

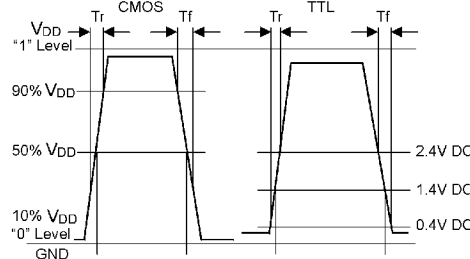
3.3V

part no.	12.92167
model	KXO-V97T
frequency	12.2880 MHz
frequency stability at -40° ~ +85°C	±30 ppm
operating temperature	-40° ~ +85°C
storage temperature	-55° ~ +125°C
symmetry	50% ± 10% at 1.4V DC level or ½ V <sub>DD</sub> level
rise & fall time max.	5 ns
"0" level max.	TTL: +0.4V / HCMOS: +0.5V
"1" level min.	TTL: +2.4 V / HCMOS: V <sub>DD</sub> -0.5V
input voltage V <sub>DD</sub>	+3.3V DC ±10%
Input current max.	15 mA
output load	10 TTL gates 50 pF
start up time max.	10 µs
tristate function	yes
disable delay time max.	50 µs
enable delay time max.	4 ms
phase jitter	(12 kHz – 20 MHz) with 1 ps
random jitter max.	7ps
peak to peak jitter max.	40ps
contents of reel	1000 pcs.

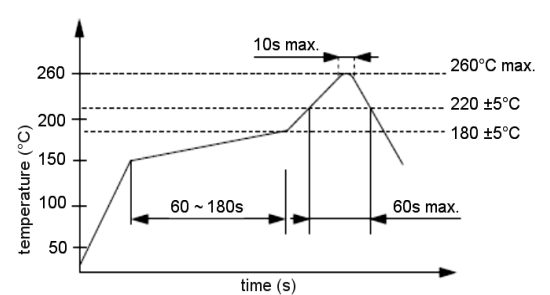
### Dimensions (mm):



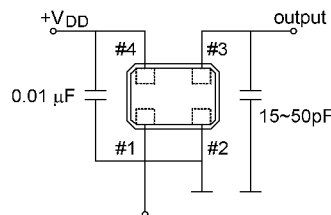
### Output waveform:



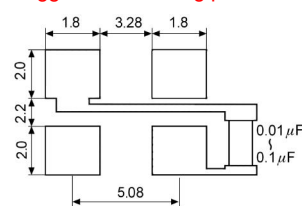
### Reflow soldering condition:



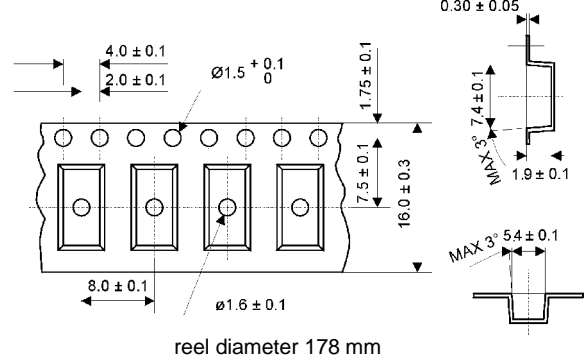
### Test circuit:



### Suggested soldering pad:



### Tape specifications:



PIN	Connection
1	"L" (0V) "H" or OPEN
2	GND
3	Z OUTPUT
4	V <sub>DD</sub>

Z: high impedance