

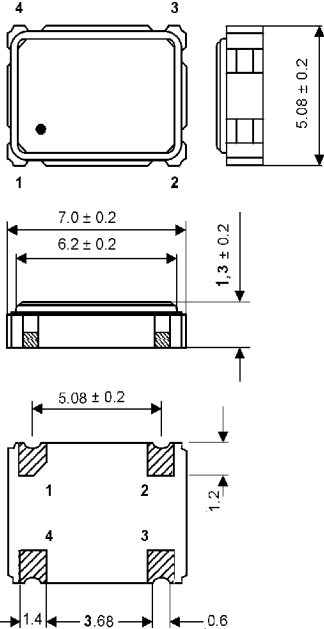


## Clock Oscillator SMD-version

+3.3V

|                                     |                                      |
|-------------------------------------|--------------------------------------|
| part no.                            | 12.92157                             |
| model                               | KXO-V97T                             |
| frequency                           | 25.0 MHz                             |
| frequency stability at -40° ~ +85°C | ±25 ppm                              |
| operating temperature               | -40° ~ +85°C                         |
| storage temperature                 | -55° ~ +125°C                        |
| symmetry                            | 50% ± 10% at ½ V <sub>DD</sub> level |
| rise & fall time max.               | 6 ns                                 |
| "0" level max.                      | +0.4V                                |
| "1" level min.                      | V <sub>DD</sub> -0.5V                |
| input voltage V <sub>DD</sub>       | +3.3V ±10%                           |
| input current max.                  | 6.0 mA typ. 11.0 mA max              |
| output load HCMOS                   | 30 pF                                |
| start up time max.                  | 10 ms                                |
| tristate function                   | yes                                  |
| disable delay time max.             | 50 µs                                |
| enable delay time max.              | 4 ms                                 |
| phase jitter                        | (12 kHz – 20 MHz) with 1 ps          |
| random jitter max.                  | 7ps                                  |
| peak to peak jitter max.            | 40ps                                 |
| contents of reel                    | 1000 pcs.                            |

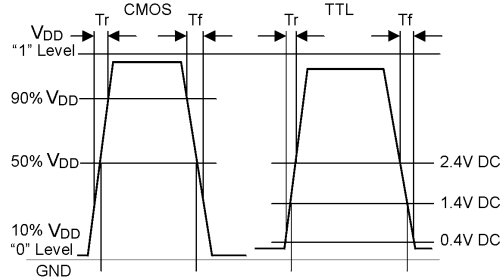
### Dimensions (mm):



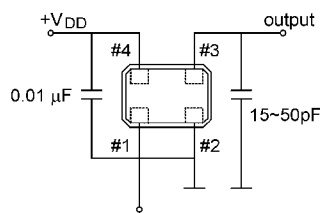
| PIN | Connection             |
|-----|------------------------|
| 1   | "L" (0V)   "H" or OPEN |
| 2   | GND                    |
| 3   | Z   OUTPUT             |
| 4   | V <sub>DD</sub>        |

Z: high impedance

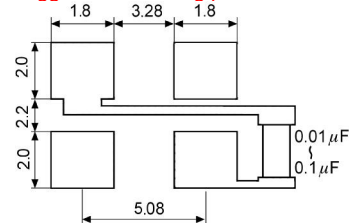
### Output waveform:



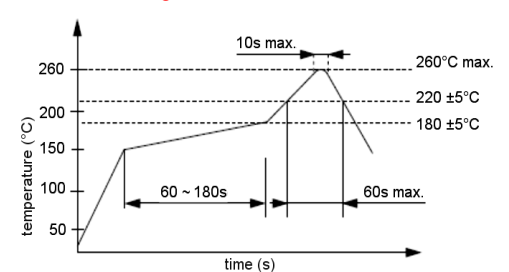
### Test circuit:



### Suggested soldering pad:



### Reflow soldering condition:



### Tape specification:

