

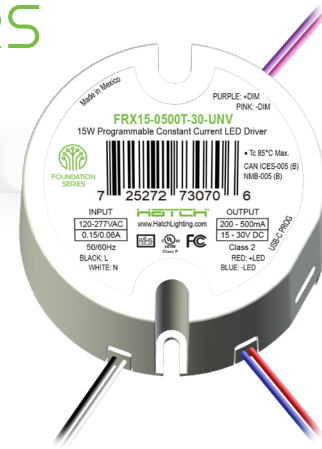


**PRELIMINARY**  
(Subject to Change)

# FOUNDATION SERIES LED DRIVERS

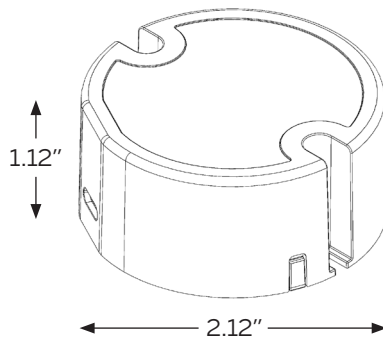
## 15W ROUND CASE STYLES

## PROGRAMMABLE CONSTANT CURRENT LED DRIVERS



### FEATURES

- Programmable Class 2 Output
- High Power Density
- Excellent Thermal Management
- Tri-Dim Capability (1% for Triac, ELV and 0-10V)
- Dim-to-off Capability
- Universal Input Range 120V-277V
- Dry & Damp Location Rated



### PROGRAMMING

- Cloud-based LED Driver programming via the Foundation Programming Portal accessed with the Google Chrome browser – no software downloads or updates required – software is always up to date in the Portal.
- The Foundation Programming Portal provides a simple user experience to enable quick settings for output current and dimming parameters. Programming profiles and sessions can be stored in the cloud.
- Foundation Programming Portal is accessed via the Chrome browser from Windows based PCs and Android devices.
- A Foundation Link USB Connector (sold separately) is used to interface between the PC or Android programming device and the LED driver.



### APPROVALS / CERTIFICATIONS



### ELECTRICAL CHARACTERISTICS

Maximum Power	Programmable Current Range	Output Voltage (VDC)	Input Voltage	Dimming Type	Part Number
15W	150-350mA	20-42	120-277 VAC	Tri-Dim (TRIAC, ELV and 0-10V)	FRX15-0350T-42-UNV
	200-500mA	15-30			FRX15-0500T-30-UNV