



PROTEC WRAP-FR Fabric



Protective flexible flame retardant PET PROTEC WRAP FABRIC.

With its high memory, this woven open-sleeve provides a perfect and easy solution to protect all wiring, cables, hoses and insulation pipes.

PROTEC WRAP-FR FABRIC offer these unique features;

- very flexible
- high abrasion resistant
- retrofit
- temperature range -50°C to 150°C
- diameter range 5mm to 40mm
- flame retardant (FR)

INSTALLATION

PROTEC WRAP FABRIC is installed by opening up the woven sleeve, feeding over the application and releasing.

- Once installed, it creates a tight and snug fit.
- Easy to re-open and re-access the protected medium.

APPLICATIONS

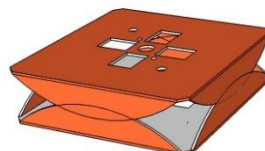
To protect wiring, cables, pipes, hoses from mechanical damage arising from exposure to touch conditions such as vibrations, frictions, abrasions,....

Markets are:

- Automotive industry; auto, railway, military
- Aerospace, aeronautical industry
- Cable and electronic industry

PRESENTATION

- Packaging: cardboard spools
- 32 spools per box (100x120cm)



FITCO reserves the right to change specifications of all products without prior notice

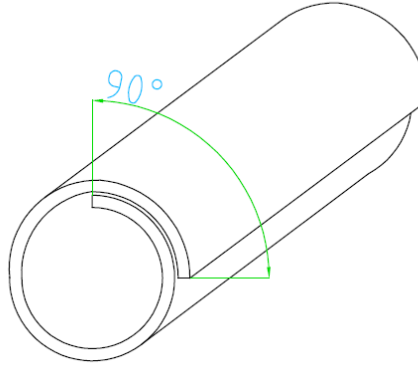
Doc : MK.WRA.003.E
Issued : 06/23

SPECIFICATIONS

DIMENSIONS

Nominal diameter* at 90° overlap (mm)	m/roll
5	150
8	100
10	75
13	75
16	50
19	25
25	25
29	20
32	20
38	15
40	10

* Other sizes upon request



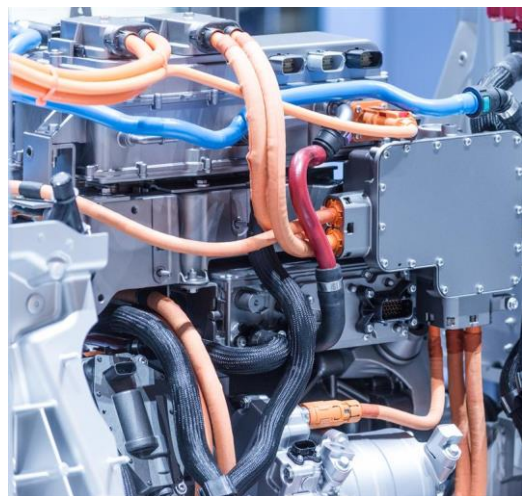
PERFORMANCES

MECHANICAL	
Abrasion resistance	high
Flexibility	good
Cut resistance	High
Tensile stress	650 N/mm ²
Elongation	20%

THERMAL	
Operating temperature	-50°C to +150°C
Melting temperature	+250°C
Shrinkage (air 200°C)	0 – 2%
Flammability	Self-extinguishing FMVSS-302 VCS 5031-19 ISO 3795

TECHNICAL DATA

Material	Polyester PET/monofilament
Colour	Orange/naturel
Specific gravity	1,38 g/cm ³
Weft yarn	0,25mm diameter
Warp yarn	1100 Dtex



The above mentioned values are indicative and are provided without any guarantee.
FITCO N.V. does not assume any responsibility resulting from the application of these data.

FITCO reserves the right to change specifications of all products without prior notice

Doc : MK.WRA.003.E
Issued : 06/23

TECHNICAL DATA PROTEC WRAP FABRIC

Mechanical Properties	Value	Test method
Abrasion resistance	In compliance (>144k cycles)	D44 1959

Thermal Properties	Value	Test method
Cold bend test	No cracking at -70°C	IEC 60684 – part2
Combustion behaviour	Self-extinguishing	FMVSS 302 – VCS 5031-19 – ISO 3795
Shrinkage	2%	Air 200°C
Melting Temperature	225°C	IEC 60216
Operating Temperature	-50°C to 150°C	
Max Peak temperature	175°C	

Chemical Properties	Fluid	Value	Test method
Resistance against Chemicals	Motor Oil	Unaffected 5min @90°C	Simulations of real operating conditions
	Hydraulic Oil	Unaffected 1h @20°C	
	Petrol Unleaded	Unaffected 1h @20°C	
	Diesel	Unaffected 1h @20°C	
	Glycerol	Unaffected 1h @20°C	
	White Spirit	Unaffected 1h @20°C	
	Brake Fluid	Unaffected 5min @90°C	
Water absorption		0.1% max	
Smoke Toxicity		Halogen Free F1	NF F16-101 & 16-102
UV resistance		Very good	