

Controlled Copy if viewed on CDE Server or stamped "Controlled Copy" in red

## Type VR Vertical Mounting Clamp

The control specifications for the VR Type Mounting Clamps include the following:

Outline Drawings  
Standard Dimension Tables

| REVISIONS |  |            |          |
|-----------|--|------------|----------|
| REV.      | DESCRIPTION  | DATE       | APPROVED |
| 1         | Updated diagrams for VR1, VR3, and VR4 brackets  | 7/20/04    | RB       |
| 2         | Updated drawing scale reference, added material type and thickness, added note for pages 3 through 9   | 10/21/04   | RB       |
| 3         | Updated bracket drawings with tolerances   | 11/10/04   | RB       |
| 4         | Removed "#4 Temper" from material type, updated mounting hole tolerances   | 11/19/04   | RB       |
| 5         | Updated "C" dimension on VR4 and VR12 brackets   | 01/12/05   | RB       |
| 6         | Updated VR12 bracket's "B" dimension from 3.438" ±0.016" to 3.5" ±0.03", "C" dimension from 3.813" ±0.016" to 3.875" ±0.01" and capacitor fastening tabs angular dimension from 60° to 75° to the furthest adjacent mounting tab | 12/06/05   | RB       |
| 7         | Updated VR10 Bracket dimension tolerances from ± 0.016" to 0.031" on page 2  | 03/28/2024 | SS       |

### Document Change History

| Issue | 0         | 1         | 2          | 3          | 4          | 5         | 6         | 7         |
|-------|-----------|-----------|------------|------------|------------|-----------|-----------|-----------|
| Date  | 5/4/2004  | 7/20/2004 | 10/21/2004 | 11/10/2004 | 11/19/2004 | 1/12/2005 | 12/6/2005 | 3/28/2024 |
| Page  | Revisions |           |            |            |            |           |           |           |
| 1     | 0         | 0         | 1          | 1          | 1          | 1         | 1         | 1         |
| 2     | 0         | 0         | 1          | 2          | 3          | 4         | 5         | 6         |
| 3     | 0         | 1         | 2          | 3          | 4          | 4         | 4         | 4         |
| 4     | 0         | 1         | 2          | 3          | 4          | 4         | 4         | 4         |
| 5     | 0         | 1         | 2          | 3          | 4          | 4         | 4         | 4         |
| 6     | 0         | 0         | 1          | 2          | 3          | 3         | 3         | 3         |
| 7     | 0         | 0         | 1          | 2          | 3          | 3         | 3         | 3         |
| 8     | 0         | 0         | 1          | 2          | 3          | 3         | 3         | 3         |
| 9     | 0         | 0         | 1          | 2          | 3          | 3         | 4         | 4         |
|       |           |           |            |            |            |           |           |           |
|       |           |           |            |            |            |           |           |           |

### Note:

Pages 3 through 9 are for internal inspection use only

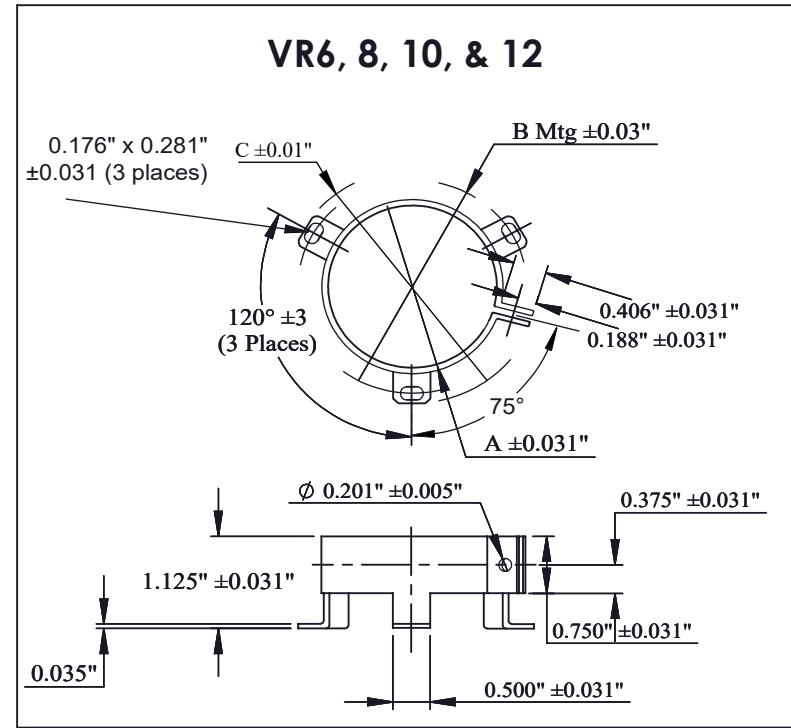
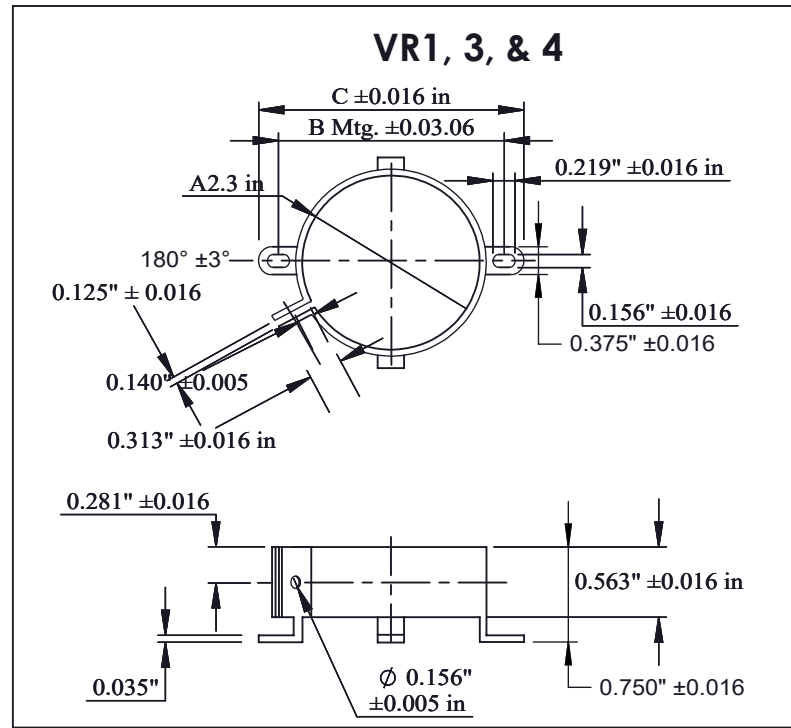
**PROPRIETARY AND CONFIDENTIAL**  
THE INFORMATION CONTAINED IN THIS DRAWING IS THE SOLE PROPERTY OF CORNELL DUBILIER. ANY REPRODUCTION IN PART OR AS A WHOLE WITHOUT THE WRITTEN PERMISSION OF CORNELL DUBILIER IS PROHIBITED.

|                             |                         |            |   |
|-----------------------------|-------------------------|------------|---|
| UNLESS OTHERWISE SPECIFIED: | NAME                    | DATE       | <b>CDE CORNELL DUBILIER</b>                         |
| DIMENSIONS ARE IN INCHES    | DRAWN TC                | 03-28-2024 |   |
| TOLERANCES:                 | CHECKED Brian Padelford | 03-28-2024 | CDE PART NUMBER:<br>Type VR Vertical Mounting Clamp |
| AS SPECIFIED                | Approval Signatures     |            |   |
| RoHS Compliant              | SS                      | BP         | SIZE DWG. NO. REV<br><b>B</b> SKD13138 0            |
| DO NOT SCALE DRAWING        | CUSTOMER PART NUMBER:   |            | SCALE: SHEET 1 OF 9                                 |

Type VR Vertical Mounting Clamp

| Diameter of Part to be Mounted | Catalog Number      |                                  |                            | Dimensions                    |          |          | Scale drawing  |
|--------------------------------|---------------------|----------------------------------|----------------------------|-------------------------------|----------|----------|----------------|
|                                | Without Screw & Nut | Unassembled Screw & Nut Included | Assembled with Screw & Nut | A                             | B        | C        | Reference Page |
| 1" to 1-1/16"                  | VR1B                | VR1                              | VR1A                       | 1"                            | 1-7/16"  | 1-7/8"   | 3              |
| 1-3/8" to 1-7/16"              | VR3B                | VR3                              | VR3A                       | 1-3/8"                        | 1-25/32" | 2-7/32"  | 4              |
| 1-1/2" to 1-9/16"              | VR4B                | VR4                              | VR4A                       | 1-1/2"                        | 1-15/16" | 2-3/8"   | 5              |
| 1-3/4" to 1-13/16"             | VR6B                | VR6                              | VR6A                       | 1-3/4"                        | 2-1/4"   | 2-9/16"  | 6              |
| 2" to 2-1/16"                  | VR8B                | VR8                              | VR8A                       | 2"                            | 2-1/2"   | 2-13/16" | 7              |
| 2-1/2" to 2-9/16"              | VR10B               | VR10                             | VR10A                      | 2-1/2"                        | 3"       | 3-5/16"  | 8              |
| 3" to 3-1/8"                   | VR12B               | VR12                             | VR12A                      | 3"                            | 3-1/2"   | 3-7/8"   | 9              |
| Screw                          | VRSCREW             | -                                | -                          | 9/16" long 6-32 thread NC-2A  |          |          | -              |
| Nut                            | VRNUT               | -                                | -                          | Standard hex nut to fit screw |          |          | -              |

**Note:**  
Material is 20 Gauge Cold Rolled Steel with 0.00015 Zinc & Clear Chromate Plating



OUTLINE DRAWING

**PROPRIETARY AND CONFIDENTIAL**  
THE INFORMATION CONTAINED IN THIS DRAWING IS THE SOLE PROPERTY OF CORNELL DUBILIER. ANY REPRODUCTION IN PART OR AS A WHOLE WITHOUT THE WRITTEN PERMISSION OF CORNELL DUBILIER IS PROHIBITED.

UNLESS OTHERWISE SPECIFIED:  
DIMENSIONS ARE IN INCHES  
TOLERANCES:  
AS SPECIFIED

RoHS Compliant

DO NOT SCALE DRAWING

|         | NAME            | DATE       |
|---------|-----------------|------------|
| DRAWN   | TC              | 03-28-2024 |
| CHECKED | Brian Padelford | 03-28-2024 |

Approval Signatures

**SS**      **BP**

CUSTOMER PART NUMBER:

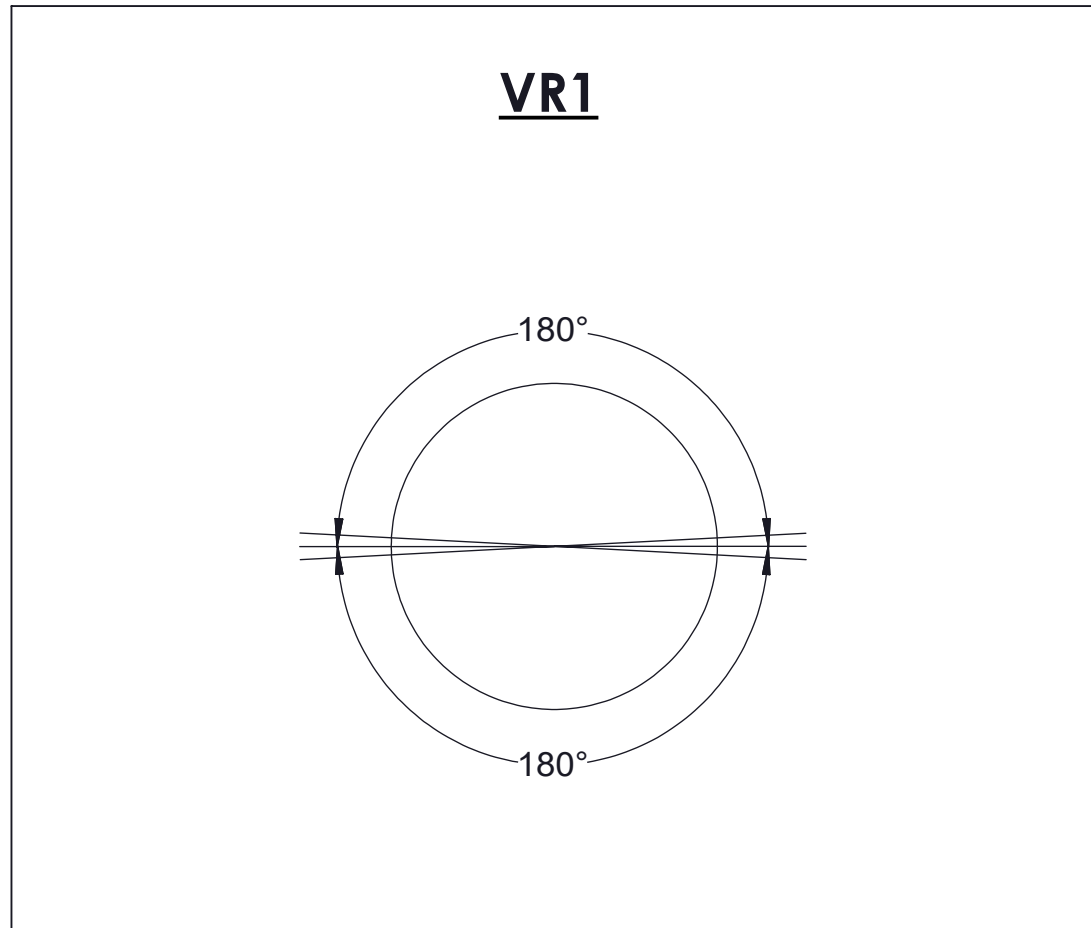


CDE PART NUMBER:  
Type VR Vertical Mounting Clamp

|                  |                      |          |
|------------------|----------------------|----------|
| SIZE<br><b>B</b> | DWG. NO.<br>SKD13138 | REV<br>0 |
|------------------|----------------------|----------|

SCALE: SHEET 2 OF 9

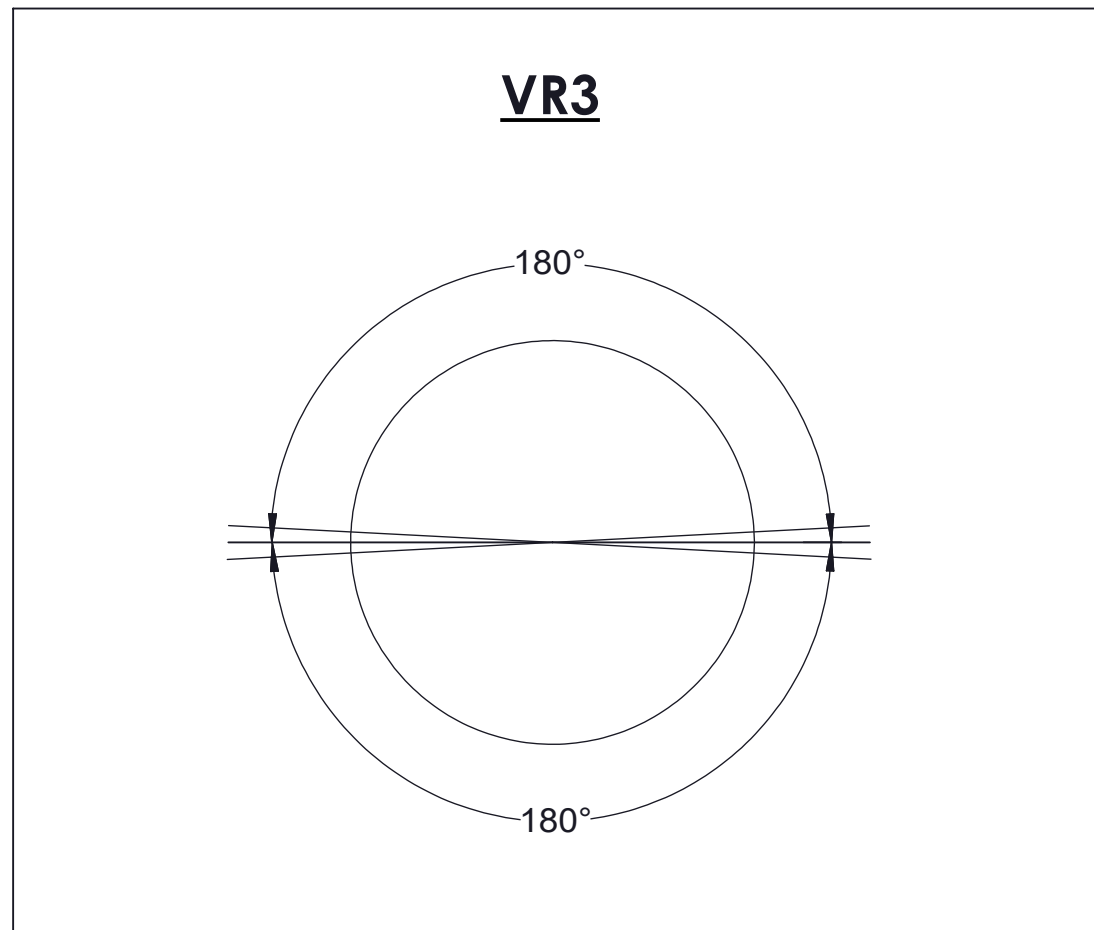
Controlled Copy if viewed on CDE Server or stamped "Controlled Copy" in red



**PROPRIETARY AND CONFIDENTIAL**  
 THE INFORMATION CONTAINED IN THIS DRAWING IS THE SOLE PROPERTY OF CORNELL DUBILIER. ANY REPRODUCTION IN PART OR AS A WHOLE WITHOUT THE WRITTEN PERMISSION OF CORNELL DUBILIER IS PROHIBITED.

|                             |                       |                 |            |   |
|-----------------------------|-----------------------|-----------------|------------|---|
| UNLESS OTHERWISE SPECIFIED: |                       | NAME            | DATE       | <b>CDE CORNELL DUBILIER</b>                         |
| DIMENSIONS ARE IN INCHES    | DRAWN                 | TC              | 03-28-2024 |   |
| TOLERANCES:<br>AS SPECIFIED | CHECKED               | Brian Padelford | 03-28-2024 | CDE PART NUMBER:<br>Type VR Vertical Mounting Clamp |
| RoHS Compliant              | Approval Signatures   |                 |            | SIZE DWG. NO. REV                                   |
|                             | <b>SS</b> <b>BP</b>   |                 |            | <b>B</b> SKD13138 0                                 |
| DO NOT SCALE DRAWING        | CUSTOMER PART NUMBER: |                 |            | SCALE: SHEET 3 OF 9                                 |

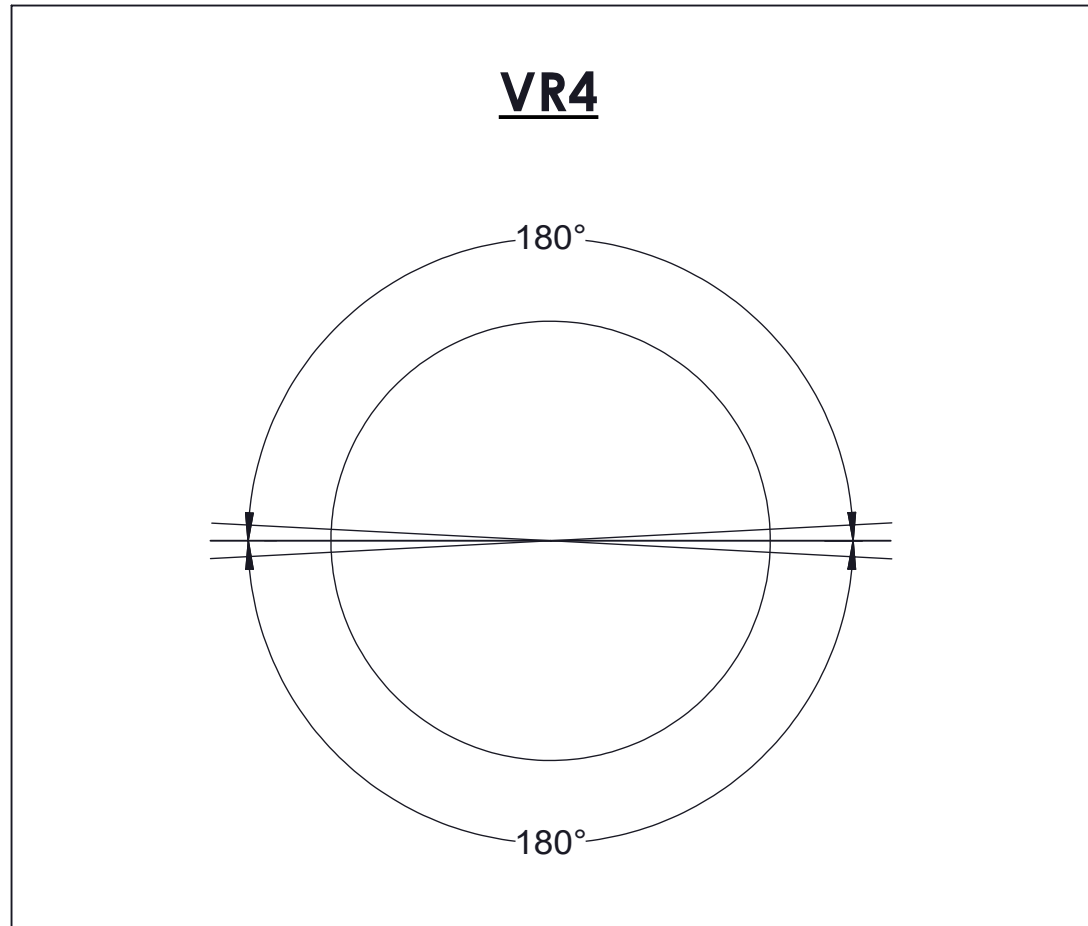
Controlled Copy if viewed on CDE Server or stamped "Controlled Copy" in red



**PROPRIETARY AND CONFIDENTIAL**  
 THE INFORMATION CONTAINED IN THIS DRAWING IS THE SOLE PROPERTY OF CORNELL DUBILIER. ANY REPRODUCTION IN PART OR AS A WHOLE WITHOUT THE WRITTEN PERMISSION OF CORNELL DUBILIER IS PROHIBITED.

|                             |                       |                 |            |   |
|-----------------------------|-----------------------|-----------------|------------|---|
| UNLESS OTHERWISE SPECIFIED: |                       | NAME            | DATE       | <b>CDE CORNELL DUBILIER</b>                         |
| DIMENSIONS ARE IN INCHES    | DRAWN                 | TC              | 03-28-2024 |   |
| TOLERANCES:<br>AS SPECIFIED | CHECKED               | Brian Padelford | 03-28-2024 | CDE PART NUMBER:<br>Type VR Vertical Mounting Clamp |
| RoHS Compliant              | Approval Signatures   |                 |            |   |
|                             | SS                    | BP              |            |   |
|                             | CUSTOMER PART NUMBER: |                 |            | SIZE DWG. NO. REV<br><b>B</b> SKD13138 0            |
| DO NOT SCALE DRAWING        | SCALE:                |                 |            | SHEET 4 OF 9  |

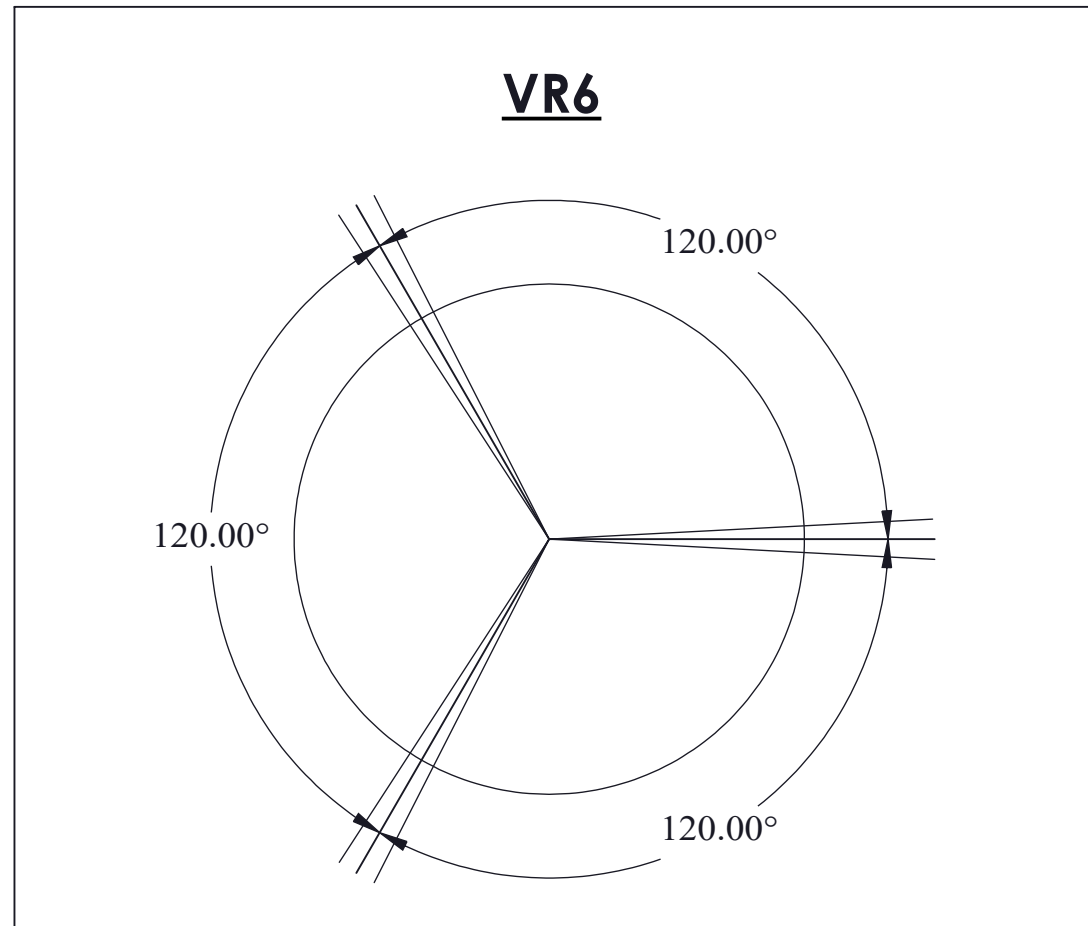
Controlled Copy if viewed on CDE Server or stamped "Controlled Copy" in red



**PROPRIETARY AND CONFIDENTIAL**  
 THE INFORMATION CONTAINED IN THIS DRAWING IS THE SOLE PROPERTY OF CORNELL DUBILIER. ANY REPRODUCTION IN PART OR AS A WHOLE WITHOUT THE WRITTEN PERMISSION OF CORNELL DUBILIER IS PROHIBITED.

|                             |                       |                 |            |   |
|-----------------------------|-----------------------|-----------------|------------|---|
| UNLESS OTHERWISE SPECIFIED: |                       | NAME            | DATE       | <b>CDE CORNELL DUBILIER</b>                         |
| DIMENSIONS ARE IN INCHES    | DRAWN                 | TC              | 03-28-2024 |   |
| TOLERANCES:<br>AS SPECIFIED | CHECKED               | Brian Padelford | 03-28-2024 | CDE PART NUMBER:<br>Type VR Vertical Mounting Clamp |
| RoHS Compliant              | Approval Signatures   |                 |            |   |
|                             | <b>SS</b>             |                 | <b>BP</b>  |   |
|                             | CUSTOMER PART NUMBER: |                 |            | SIZE DWG. NO. REV                                   |
|                             |                       |                 |            | <b>B</b> SKD13138 0                                 |
| DO NOT SCALE DRAWING        | SCALE:                |                 |            | SHEET 5 OF 9  |

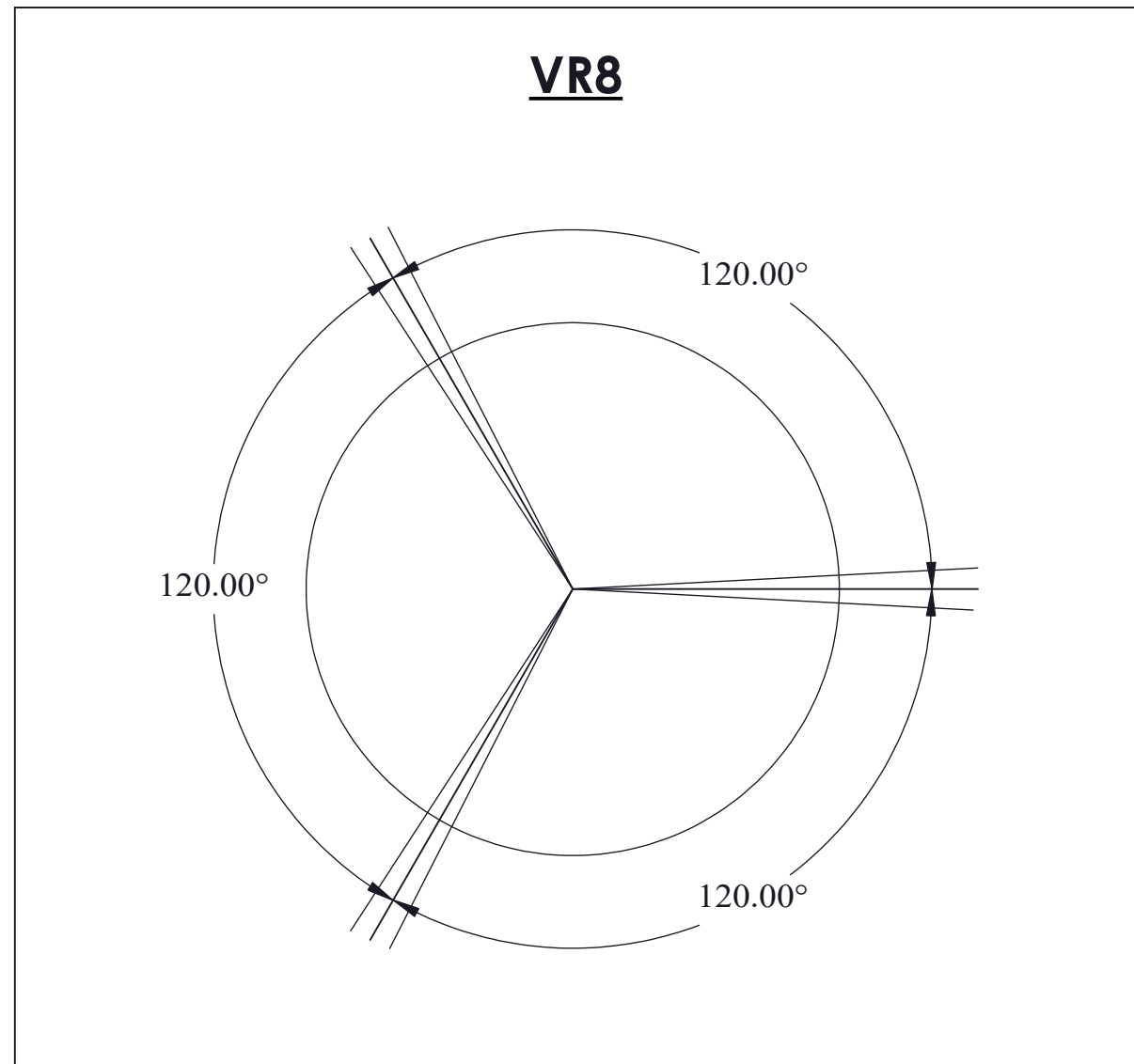
Controlled Copy if viewed on CDE Server or stamped "Controlled Copy" in red



**PROPRIETARY AND CONFIDENTIAL**  
 THE INFORMATION CONTAINED IN THIS DRAWING IS THE SOLE PROPERTY OF CORNELL DUBILIER. ANY REPRODUCTION IN PART OR AS A WHOLE WITHOUT THE WRITTEN PERMISSION OF CORNELL DUBILIER IS PROHIBITED.

|                             |   |                 |            |   |
|-----------------------------|---|-----------------|------------|---|
| UNLESS OTHERWISE SPECIFIED: |   | NAME            | DATE       | <b>CDE CORNELL DUBILIER</b>                         |
| DIMENSIONS ARE IN INCHES    | DRAWN   | TC              | 03-28-2024 |   |
| TOLERANCES:<br>AS SPECIFIED | CHECKED   | Brian Padelford | 03-28-2024 | CDE PART NUMBER:<br>Type VR Vertical Mounting Clamp |
| RoHS Compliant              | Approval Signatures   |                 |            | SIZE DWG. NO. REV                                   |
|                             | <div style="display: flex; justify-content: space-around; font-size: 2em; font-weight: bold;"> <span>SS</span> <span>BP</span> </div> |                 |            | <b>B</b> SKD13138 0                                 |
| DO NOT SCALE DRAWING        | CUSTOMER PART NUMBER:   |                 |            | SCALE: SHEET 6 OF 9                                 |

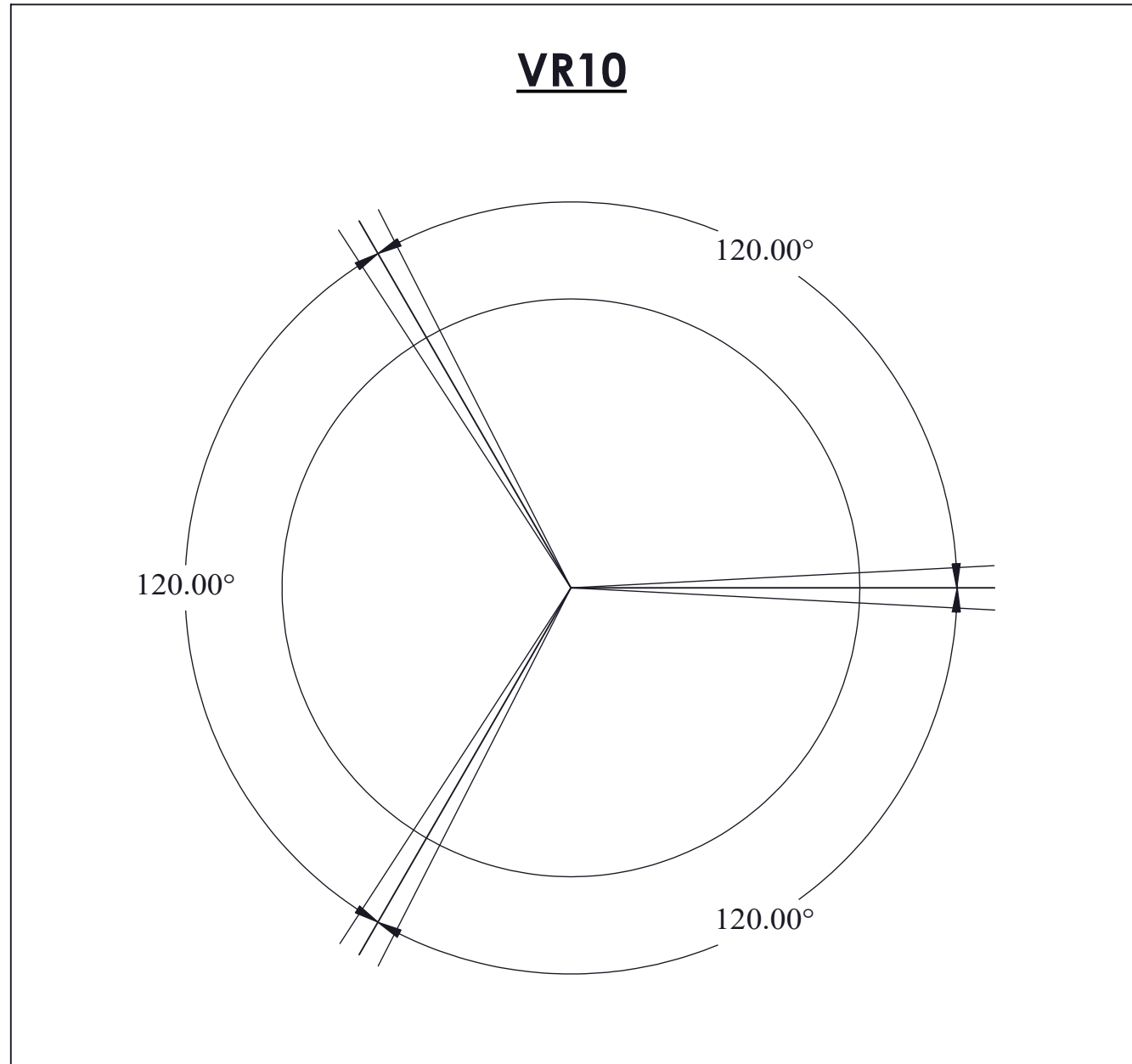
Controlled Copy if viewed on CDE Server or stamped "Controlled Copy" in red



**PROPRIETARY AND CONFIDENTIAL**  
 THE INFORMATION CONTAINED IN THIS DRAWING IS THE SOLE PROPERTY OF CORNELL DUBILIER. ANY REPRODUCTION IN PART OR AS A WHOLE WITHOUT THE WRITTEN PERMISSION OF CORNELL DUBILIER IS PROHIBITED.

|                             |  |                       |                 |            |  |   |  |
|-----------------------------|--|-----------------------|-----------------|------------|--|---|--|
| UNLESS OTHERWISE SPECIFIED: |  | NAME                  |                 | DATE       |  | <b>CDE CORNELL DUBILIER</b>                         |  |
| DIMENSIONS ARE IN INCHES    |  | DRAWN                 | TC              | 03-28-2024 |  | CDE PART NUMBER:<br>Type VR Vertical Mounting Clamp |  |
| TOLERANCES:<br>AS SPECIFIED |  | CHECKED               | Brian Padelford | 03-28-2024 |  |   |  |
| RoHS Compliant              |  | Approval Signatures   |                 |            |  | SIZE DWG. NO. REV<br><b>B</b> SKD13138 0            |  |
|                             |  | <b>SS</b>             |                 | <b>BP</b>  |  |   |  |
| DO NOT SCALE DRAWING        |  | CUSTOMER PART NUMBER: |                 |            |  | SCALE: SHEET 7 OF 9                                 |  |

Controlled Copy if viewed on CDE Server or stamped "Controlled Copy" in red

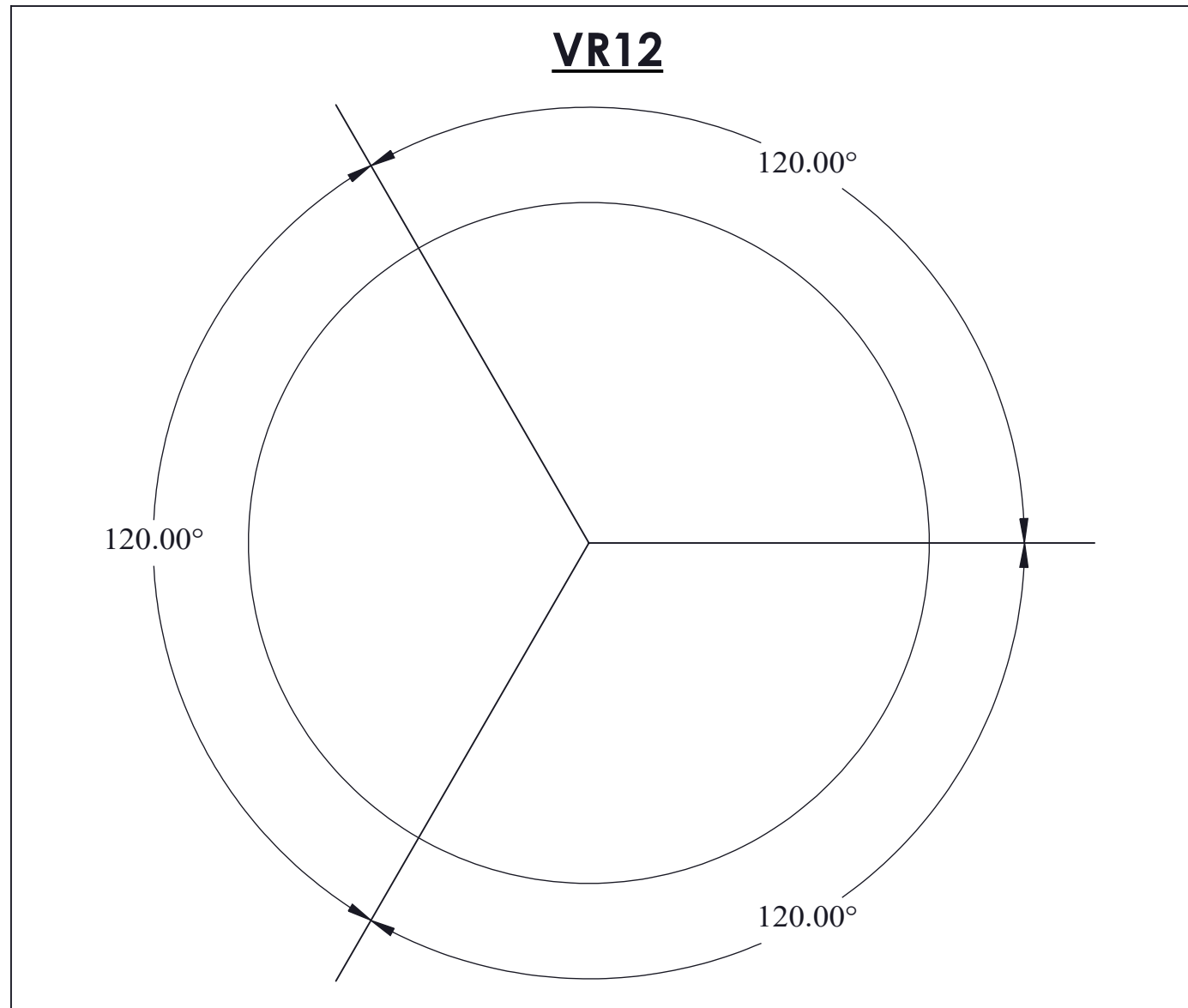


**PROPRIETARY AND CONFIDENTIAL**  
 THE INFORMATION CONTAINED IN THIS DRAWING IS THE SOLE PROPERTY OF CORNELL DUBILIER. ANY REPRODUCTION IN PART OR AS A WHOLE WITHOUT THE WRITTEN PERMISSION OF CORNELL DUBILIER IS PROHIBITED.

|                             |   |                 |            |   |
|-----------------------------|---|-----------------|------------|---|
| UNLESS OTHERWISE SPECIFIED: |   | NAME            | DATE       | <b>CDE CORNELL DUBILIER</b>                         |
| DIMENSIONS ARE IN INCHES    | DRAWN   | TC              | 03-28-2024 |   |
| TOLERANCES:<br>AS SPECIFIED | CHECKED   | Brian Padelford | 03-28-2024 | CDE PART NUMBER:<br>Type VR Vertical Mounting Clamp |
| RoHS Compliant              | Approval Signatures   |                 |            | SIZE DWG. NO. REV                                   |
|                             | <div style="display: flex; justify-content: space-around; font-size: 2em; font-weight: bold;"> <span>SS</span> <span>BP</span> </div> |                 |            | <b>B</b> SKD13138 0                                 |
| DO NOT SCALE DRAWING        | CUSTOMER PART NUMBER:   |                 |            | SCALE: SHEET 8 OF 9                                 |



Controlled Copy if viewed on CDE Server or stamped "Controlled Copy" in red



**PROPRIETARY AND CONFIDENTIAL**  
 THE INFORMATION CONTAINED IN THIS DRAWING IS THE SOLE PROPERTY OF CORNELL DUBILIER. ANY REPRODUCTION IN PART OR AS A WHOLE WITHOUT THE WRITTEN PERMISSION OF CORNELL DUBILIER IS PROHIBITED.

|                             |  |                       |                 |            |  |   |
|-----------------------------|--|-----------------------|-----------------|------------|--|---|
| UNLESS OTHERWISE SPECIFIED: |  | NAME                  |                 | DATE       |  | <b>CDE CORNELL DUBILIER</b>                         |
| DIMENSIONS ARE IN INCHES    |  | DRAWN                 | TC              | 03-28-2024 |  |   |
| TOLERANCES:                 |  | CHECKED               | Brian Padelford | 03-28-2024 |  | CDE PART NUMBER:<br>Type VR Vertical Mounting Clamp |
| AS SPECIFIED                |  | Approval Signatures   |                 |            |  |   |
| RoHS Compliant              |  | <b>SS</b>             |                 | <b>BP</b>  |  | SIZE DWG. NO. REV<br><b>B</b> SKD13138 0            |
| DO NOT SCALE DRAWING        |  | CUSTOMER PART NUMBER: |                 |            |  |   |
|                             |  | SCALE:                |                 |            |  | SHEET 9 OF 9  |