

GloTek, Inc. www.globtek.com 186 Veterans Drive, Northvale, NJ 07647 Tel. (201) 784-1000 Fax (201) 784-0111	Drawing Title: Female barrel 5.5*2.1*11mm, with internal Spring Clip and Locking Notch or equal to STRIP AND TIN, ROJ 30+5/-0 mm, RIJ 5±1 mm, GT Cable #UL 1185-18: 18 / 1+Shield Conductors, 3.5mm OD, UL1185, 80 Deg.C, 300V, White/Black, Approvals: , 1830+100/-0mm, GlobTek Black	
	Model No. Low voltage cable	Part No./Ordering No. CCP11856F00-SR
		Rev C1

CUSTOMIZED LENGTHS, COLORS, CABLE TYPES, TERMINATIONS/PLUGS/RECEPTACLES AVAILABLE UPON REQUEST. ADDITIONAL PLUG OPTIONS ARE AVAILABLE AT <https://www.globtek.com/connectors/> STANDARD PLUGS AND CONNECTORS CAN BE SEEN ONLINE AT <https://www.globtek.com/connectors/> ACTUAL CONNECTORS, OVERMOLDS, FERRITES MAY VARY SLIGHTLY FROM THE PICTURE BELOW DIMENSIONS ARE IN MM UNLESS SPECIFIED OTHERWISE

In Addition to GlobTek Inc.'s renewed ISO9001:2008 - Quality Management System Certification, GlobTek Inc. is now certified to:

- ISO13485:2003 - Medical Devices Quality Management System Certification
- ISO14001:2004 - Environmental Management System Certification

ISO Certificates are available online at <https://www.globtek.com/iso-certificates/>
Prop 65 Statement: <https://en.globtek.com/prop-65-statement.pdf>

The acceptance of this specification and use of the product described in this document indicates the acceptance and binding of the customer to Globtek TERMS AND CONDITIONS (attached to the end of this document), which supersede all other agreements, terms, and conditions (<https://en.globtek.com/terms-and-conditions/>).

The purchaser of this product (Customer) agrees that it is their sole responsibility to determine suitability/fitness of the product described in this specification for their application and to take precautions for protection against any hazards attendant to the handling and use of the product.

Footnote:

GlobTek Inc. will not be liable for the safety and performance of these power supplies if unauthorized access and repair occurs. End user should consult applicable UL, CSA or EN standards for proper installation instruction.

Limitation of Use:

GlobTek products are intended for use with commercial, medical, and/or industrial equipment only. GlobTek product are not authorized for use as mission critical components in life support hazardous environment, nuclear or aircraft applications without prior written approval from the CEO of GlobTek Inc.
Contents of this document are subject to change without prior notice.

Customer Approval of Specification:

Please approve, sign and send back to GlobTek so we can complete order processing.
A delay in receipt of this form will delay delivery schedule.

RELEASED
By fisxs at 10:51 am, Jul 30, 2024

Company Name:	Customer P/N:
Quote Number:	Date:
Authorized Representative Name:	Authorized Representative Signature:

GlobTek, Inc. www.globtek.com 186 Veterans Drive, Northvale, NJ 07647 Tel. (201) 784-1000 Fax (201) 784-0111	Drawing Title: Female barrel 5.5*2.1*11mm, with internal Spring Clip and Locking Notch or equal to STRIP AND TIN, ROJ 30+5/-0 mm, RIJ 5±1 mm, GT Cable #UL 1185-18: 18 / 1+Shield Conductors, 3.5mm OD, UL1185, 80 Deg.C, 300V, White/Black, Approvals: , 1830+100/-0mm, GlobTek Black	
	Model No. Low voltage cable	
	Part No./Ordering No. CCP11856F00-SR	Rev C1

CUSTOMIZED LENGTHS, COLORS, CABLE TYPES, TERMINATIONS/PLUGS/RECEPTACLES AVAILABLE UPON REQUEST. ADDITIONAL PLUG OPTIONS ARE AVAILABLE AT <https://www.globtek.com/connectors/> STANDARD PLUGS AND CONNECTORS CAN BE SEEN ONLINE AT <https://www.globtek.com/connectors/> ACTUAL CONNECTORS, OVERMOLDS, FERRITES MAY VARY SLIGHTLY FROM THE PICTURE BELOW DIMENSIONS ARE IN MM UNLESS SPECIFIED OTHERWISE

REVISION HISTORY

REV	DESCRIPTION	SUB	DATE	APPROVED
C1	Determining the Yellow color and Internal Spring on the connector	QA	07/29/2024	QA
C	Update spec to SF format, update Ferrite Dimension From Connector 50±1mm to 30±5mm, change connector to Female Barrel 5.5*2.1*11mm with Spring Clip & Locking Notch, update Strain Relief dimensions 7.0*3.7*2.75mm to 7.1*3.75*2.5mm	QA	07/24/2024	QA
B	ADD NOTE FOR THE STRAIN RELIEF, RF,27509, HM	QA	03/17/2020	QA
A	INITIAL RELEASE, RFS. 10409, GC	QA	03/07/2007	QA

Cordset Information:

CordsetColor:GlobTek Black

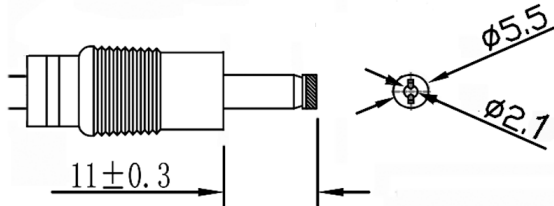
Cord Length (mm):1830+100/-0

NOTES:

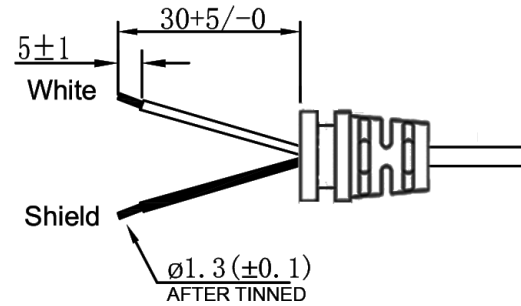
GlobTek, Inc. www.globtek.com 186 Veterans Drive, Northvale, NJ 07647 Tel. (201) 784-1000 Fax (201) 784-0111	Drawing Title: Female barrel 5.5*2.1*11mm, with internal Spring Clip and Locking Notch or equal to STRIP AND TIN, ROJ 30+5/-0 mm, RIJ 5±1 mm, GT Cable #UL 1185-18: 18 / 1+Shield Conductors, 3.5mm OD, UL1185, 80 Deg.C, 300V, White/Black, Approvals: , 1830+100/-0mm, GlobTek Black
	Model No. Low voltage cable
Part No./Ordering No. CCP11856F00-SR	Rev C1

CUSTOMIZED LENGTHS, COLORS, CABLE TYPES, TERMINATIONS/PLUGS/RECEPTACLES AVAILABLE UPON REQUEST. ADDITIONAL PLUG OPTIONS ARE AVAILABLE AT <https://www.globtek.com/connectors/> STANDARD PLUGS AND CONNECTORS CAN BE SEEN ONLINE AT <https://www.globtek.com/connectors/> ACTUAL CONNECTORS, OVERMOLDS, FERRITES MAY VARY SLIGHTLY FROM THE PICTURE BELOW DIMENSIONS ARE IN MM UNLESS SPECIFIED OTHERWISE

END A



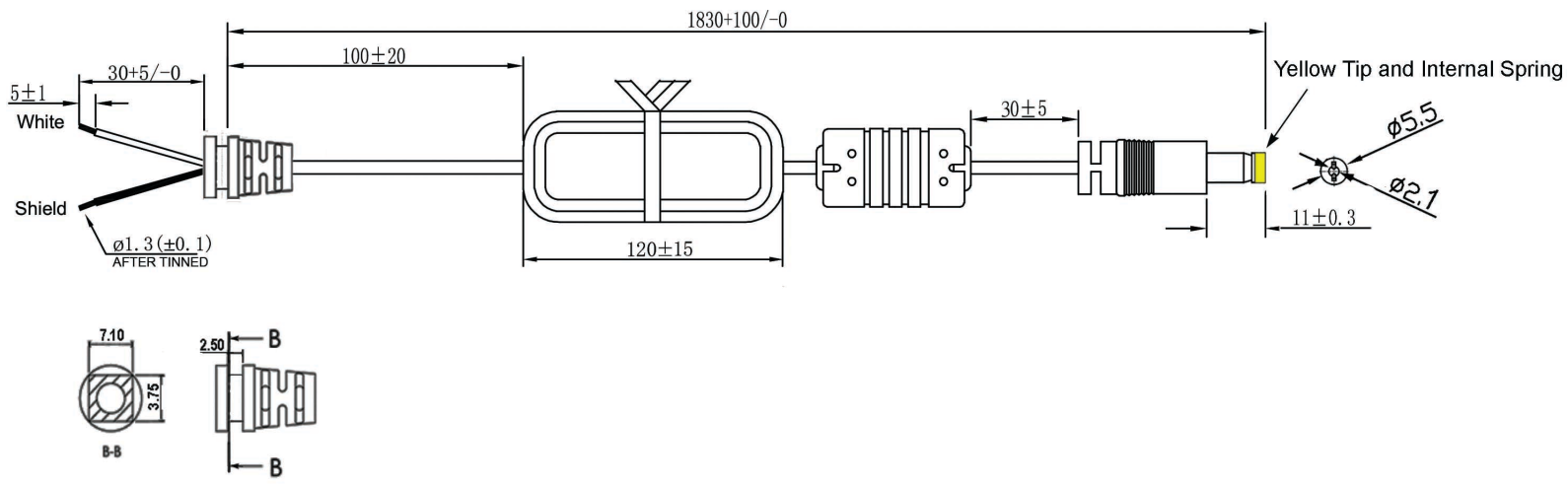
END B



<p>GlobTek, Inc. www.globtek.com 186 Veterans Drive, Northvale, NJ 07647 Tel. (201) 784-1000 Fax (201) 784-0111</p>	<p>Drawing Title: Female barrel 5.5*2.1*11mm, with internal Spring Clip and Locking Notch or equal to STRIP AND TIN, ROJ 30+5/-0 mm, RIJ 5±1 mm, GT Cable #UL 1185-18: 18 / 1+Shield Conductors, 3.5mm OD, UL1185, 80 Deg.C, 300V, White/Black, Approvals: , 1830+100/-0mm, GlobTek Black</p>	<p>Model No. Low voltage cable</p> <p>Part No./Ordering No. CCP11856F00-SR</p> <p>Rev C1</p>
--	---	--

CUSTOMIZED LENGTHS, COLORS, CABLE TYPES, TERMINATIONS/PLUGS/RECEPTACLES AVAILABLE UPON REQUEST. ADDITIONAL PLUG OPTIONS ARE AVAILABLE AT <https://www.globtek.com/connectors/> STANDARD PLUGS AND CONNECTORS CAN BE SEEN ONLINE AT <https://www.globtek.com/connectors/> ACTUAL CONNECTORS, OVERMOLDS, FERRITES MAY VARY SLIGHTLY FROM THE PICTURE BELOW DIMENSIONS ARE IN MM UNLESS SPECIFIED OTHERWISE

CABLE IMAGE



GlobTek, Inc. www.globtek.com 186 Veterans Drive, Northvale, NJ 07647 Tel. (201) 784-1000 Fax (201) 784-0111	Drawing Title: Female barrel 5.5*2.1*11mm, with internal Spring Clip and Locking Notch or equal to STRIP AND TIN, ROJ 30+5/-0 mm, RIJ 5±1 mm, GT Cable #UL 1185-18: 18 / 1+Shield Conductors, 3.5mm OD, UL1185, 80 Deg.C, 300V, White/Black, Approvals: , 1830+100/-0mm, GlobTek Black	
	Model No. Low voltage cable	
	Part No./Ordering No. CCP11856F00-SR	Rev C1

CUSTOMIZED LENGTHS, COLORS, CABLE TYPES, TERMINATIONS/PLUGS/RECEPTACLES AVAILABLE UPON REQUEST. ADDITIONAL PLUG OPTIONS ARE AVAILABLE AT <https://www.globtek.com/connectors/> STANDARD PLUGS AND CONNECTORS CAN BE SEEN ONLINE AT <https://www.globtek.com/connectors/> ACTUAL CONNECTORS, OVERMOLDS, FERRITES MAY VARY SLIGHTLY FROM THE PICTURE BELOW DIMENSIONS ARE IN MM UNLESS SPECIFIED OTHERWISE

End A Code:CCP Description:Female barrel 5.5*2.1*11mm, with internal Spring Clip and Locking Notch or equal Rating (V): Rating (A): Gender:Female Overmolded:Yes	Cable Code:UL 1185-18 Description:GT Cable #UL 1185-18: 18 / 1+Shield Conductors, 3.5mm OD, UL1185, 80 Deg.C, 300V, White/Black, Approvals: Color:GlobTek Black Wire Gauge(AWG):18 Cond:1+Shield Type:UL1185 Temperature:80° C Amps: Volts:300 OD:3.5 ConductorsColors:White/Black	End B Code:STRIP-TIN 30/5mm Description:STRIP AND TIN, ROJ 30+5/-0 mm, RIJ 5±1 mm Rating (V): Rating (A): Gender:N/A Overmolded:No
--	---	--

Overall cable rating:

Plug Approvals	Cable Approvals	Connector Approvals
----------------	-----------------	---------------------



Note: North American power cords are certified as UL assemblies of UL rated parts, so, the combination of UL certified plugs, connectors, andf cables total up to a UL approved cordset or cable assembly

[LINK TO CERTs](#)
[Link to live Power Cords listing @ UL](#)
[Link to live Flexible Cord listing @ UL](#)

AGENCY ONLINE DOCUMENTS

<http://en.globtek.com/cordsets/>

GlobTek, Inc. www.globtek.com 186 Veterans Drive, Northvale, NJ 07647 Tel. (201) 784-1000 Fax (201) 784-0111	Drawing Title: Female barrel 5.5*2.1*11mm, with internal Spring Clip and Locking Notch or equal to STRIP AND TIN, ROJ 30+5/-0 mm, RIJ 5±1 mm, GT Cable #UL 1185-18: 18 / 1+Shield Conductors, 3.5mm OD, UL1185, 80 Deg.C, 300V, White/Black, Approvals: , 1830+100/-0mm, GlobTek Black	
	Model No. Low voltage cable	Part No./Ordering No. CCP11856F00-SR
		Rev C1

CUSTOMIZED LENGTHS, COLORS, CABLE TYPES, TERMINATIONS/PLUGS/RECEPTACLES AVAILABLE UPON REQUEST. ADDITIONAL PLUG OPTIONS ARE AVAILABLE AT <https://www.globtek.com/connectors/> STANDARD PLUGS AND CONNECTORS CAN BE SEEN ONLINE AT <https://www.globtek.com/connectors/> ACTUAL CONNECTORS, OVERMOLDS, FERRITES MAY VARY SLIGHTLY FROM THE PICTURE BELOW DIMENSIONS ARE IN MM UNLESS SPECIFIED OTHERWISE

RoHS/RoHS3 Declaration	https://www.globtek.com/pdf/rohs_cert/01t30000002p8luAAA
REACH Declaration	https://www.globtek.com/pdf/iso_certificates/REACH.pdf
Conflict Minerals Declaration	https://www.globtek.com/pdf/conflict-minerals.pdf
Prop 65 Statement	https://en.globtek.com/prop-65-statement.pdf
CE.UKCA.Cord	https://globtek.secure.force.com/spec/ec_decl_product_model_family_incl_cord?id=01t30000002p8lu
IPXY rating is based on 3rd party testing and customers should check suitability and test system level IPXY rating before ordering.	

PROPRIETARY INFORMATION

PROPRIETARY OF GLOBTEK, INC. ANY REPRODUCTION, DISCLOSURE OR USE OF THIS DRAWING, IN WHOLE OR IN PART, IS HEREBY PROHIBITED EXCEPT AS SPECIFIED IN WRITING BY GLOBTEK, INC. © GlobTek, Inc.

2012 - 2024

specC /07/30/2024 4:41:03 PM

GlobTek, Inc. www.globtek.com 186 Veterans Drive, Northvale, NJ 07647 Tel. (201) 784-1000 Fax (201) 784-0111	Drawing Title: Female barrel 5.5*2.1*11mm, with internal Spring Clip and Locking Notch or equal to STRIP AND TIN, ROJ 30+5/-0 mm, RIJ 5±1 mm, GT Cable #UL 1185-18: 18 / 1+Shield Conductors, 3.5mm OD, UL1185, 80 Deg.C, 300V, White/Black, Approvals: , 1830+100/-0mm, GlobTek Black	
	Model No. Low voltage cable	
	Part No./Ordering No. CCP11856F00-SR	Rev C1

CUSTOMIZED LENGTHS, COLORS, CABLE TYPES, TERMINATIONS/PLUGS/RECEPTACLES AVAILABLE UPON REQUEST. ADDITIONAL PLUG OPTIONS ARE AVAILABLE AT <https://www.globtek.com/connectors/> STANDARD PLUGS AND CONNECTORS CAN BE SEEN ONLINE AT <https://www.globtek.com/connectors/> ACTUAL CONNECTORS, OVERMOLDS, FERRITES MAY VARY SLIGHTLY FROM THE PICTURE BELOW DIMENSIONS ARE IN MM UNLESS SPECIFIED OTHERWISE

Hanking:SEE DRAWING

Description:See cordset drawing for hanking details

Image:

Notes/Modifications/Customizations (notes in this section supersede the values shown in the standard spec):