

Metric Cable Glands and Locknuts

Technical Features

- Anti vibration cap
- Each gland comes complete with locknut
- Zero Halogen polyamide 6
- Neoprene Seal
- Protection class to IP68/5 bar
- Temperature range -30 °C up to +80 °C permanent
- Operating temperature up to +150 °C intermittent
- VDE approved
- Colors available in: Black, Grey, Red, White

Application Areas

- Repair and Maintenance
- Machine Tool
- Panel Building
- Outside Plant
- Lighting
- Professional Equipment
- Electrical Junction Boxes
- Bulk Head Wiring
- Automotive
- Robotics
- General Wiring Applications etc.



**Nylon Metric Cable Glands and Locknuts (Anti-Vibration)**

The Tyco Electronics nylon cable glands and locknuts are designed with anti-vibration top caps.

This assists in areas where vibration could be a problem, although the cap when tightened is locked it can be un-screwed and re-tightened.

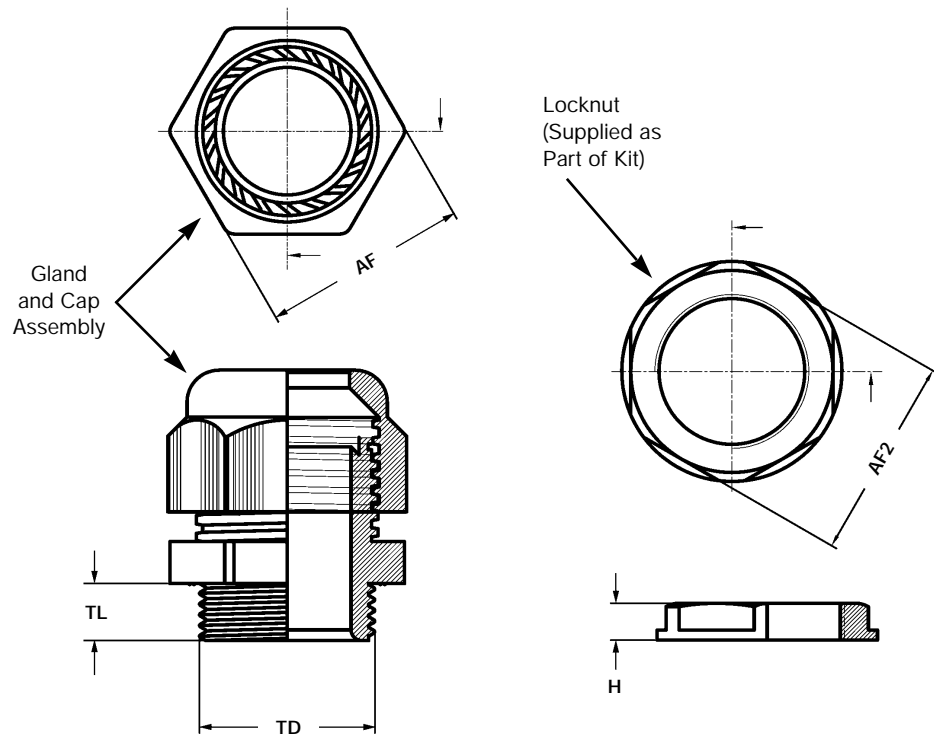
**The Comprehensive Range Covers Sizes from:**

- M12 / 12.0 mm (3.0–6.5 mm cable range) up to
- M63 / 63.0 mm (34.0–44.0 mm cable range)



Metric Cable Glands and Locknuts

Anti-Vibration  
Nylon Locking Gland



Size (mm)	Cable Range (mm)	Dimensions (mm)					Part Numbers				Bag Quantity	Package Quantity
		Gland and Cap Assembly			Locknut		Colors					
		TD	TL	AF	H	AF2	Grey	Black	Red	White		
M12	3.0-6.5	12.0	8.0	15.0	5.0	18.0	1478768-1	1478769-1	1478770-1	1478771-1	5	100
M16	5.0-10.0	16.0	10.0	22.0	5.0	22.0	1478768-2	1478769-2	1478770-2	1478771-2	5	100
M20	6.0-12.0	20.0	10.0	24.0	6.0	26.0	1478768-3	1478769-3	1478770-3	1478771-3	5	100
M20	10.0-14.0	20.0	10.0	27.0	6.0	26.0	1478768-4	1478769-4	1478770-4	1478771-4	5	100
M25	13.0-18.0	25.0	10.0	33.0	6.0	32.0	1478768-5	1478769-5	1478770-5	1478771-5	5	50
M32	18.0-25.0	32.0	18.0	42.0	7.0	41.0	1478768-6	1478769-6	1478770-6	1478771-6	5	30
M40	22.0-32.0	40.0	18.0	53.0	7.0	50.0	1478768-7	1478769-7	1478770-7	1478771-7	2	10
M50	30.0-38.0	50.0	18.0	60.0	8.0	60.0	1478768-8	1478769-8	1478770-8	1478771-8	2	10
M63	34.0-44.0	63.0	18.0	65.0	8.0	75.0	1478768-9	1478769-9	1478770-9	1478771-9	2	10

Metric/PG EMC Cable Glands and Locknuts

**Technical Features**

- Full EMC shielding
- Brass nickel plated body and locknut
- Kit is complete with EMC locknut and assembly instructions
- Long thread for use on thick or standard panels
- Inner cable protection
- Neoprene Seal
- Protection class to IP68/5 bar
- Temperature range -40°C up to +100°C permanent

**Application Areas**

- Repair and Maintenance
- Machine Tool
- Panel Building
- Outside Plant
- Lighting
- Professional Equipment
- Electrical Junction Boxes
- Bulk Head Wiring
- Automotive
- Robotics
- General Wiring Applications etc.



**Nickel Plated Brass EMC Cable Glands and Locknuts**

The Tyco Electronics nickel plated brass EMC cable glands and locknuts are designed with EMC requirements in mind.

The glands offer full 360° shielding and comes complete with a specially designed locknut and installation instructions.

The locknut has raised edges which when tightened is intended to clean the contact area between the nut and panel.

The additional thread length allows more flexible fitting to either standard or thick panels.

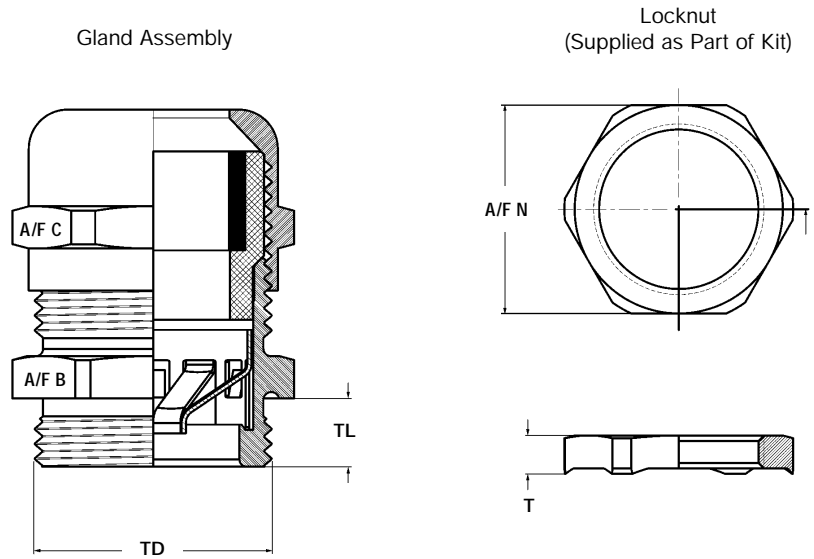
**The Comprehensive Range Covers Sizes from:**

- Metric
  - M12 / 12.0 mm (4.0–8.0 mm cable range)
  - up to
  - M63 / 63.0 mm (34.0–44.0 mm cable range)
- PG
  - PG7 / 13.0 mm (3.0–6.5 mm cable range)
  - up to
  - PG48 / 59.0 mm (34.0–44.0 mm cable range)



Metric/PG EMC Cable Glands and Locknuts

EMC Cable Glands



PG EMC Gland

Size	TD (mm)	TL (mm)	T (mm)	A/F N (mm)	Min. Shield Diameter (mm)	A/F B (mm)	A/F C (mm)	Clamping Range (mm)	Part Number	Bag Quantity	Package Quantity
PG 7	13.0	10.0	3.3	15.0	2.5	14.0	14.0	3.0-6.5	1478885-1	5	150
PG 9	16.0	10.0	3.3	18.0	3.0	17.0	17.0	4.0-8.0	1478885-2	5	120
PG 11	19.0	10.0	3.5	21.0	4.0	20.0	20.0	5.0-10.0	1478885-3	5	100
PG 13.5	21.0	10.0	3.5	23.0	5.0	22.0	22.0	6.0-12.0	1478885-4	5	50
PG 16	23.0	10.0	3.5	26.0	8.0	24.0	24.0	10.0-14.0	1478885-5	1	100
PG 21	29.0	12.0	4.0	32.0	11.0	30.0	30.0	13.0-18.0	1478885-6	1	50
PG 29	37.0	12.0	4.6	41.0	16.0	40.0	40.0	18.0-25.0	1478885-7	1	50
PG 36	47.0	14.0	5.6	51.0	19.0	50.0	50.0	22.0-32.0	1478885-8	1	50
PG 42	54.0	16.0	5.6	60.0	27.0	58.0	58.0	30.0-38.0	1478885-9	1	25
PG 48	59.0	18.0	6.1	64.0	30.0	64.0	64.0	34.0-44.0	1-1478885-0	1	25

Metric EMC Gland

Size	TD (mm)	TL (mm)	T (mm)	A/F N (mm)	Min. Shield Braid Diameter (mm)	A/F B (mm)	A/F C (mm)	Clamping Range (mm)	Part Number	Bag Quantity	Package Quantity
M12	12.0	12.0	3.3	15.0	2.5	14.0	14.0	4.0-8.0	1478884-1	5	150
M16	16.0	12.0	3.5	19.0	3.0	18.0	17.0	5.0-10.0	1478884-2	5	120
M20	20.0	12.0	3.6	24.0	5.0	22.0	22.0	6.0-12.0	1478884-3	5	100
M25	25.0	12.0	3.5	30.0	8.0	27.0	24.0	10.0-14.0	1478884-4	5	50
M32	32.0	15.0	4.0	36.0	11.0	34.0	30.0	13.0-18.0	1478884-5	1	100
M40	40.0	15.0	4.6	46.0	16.0	43.0	40.0	18.0-25.0	1478884-6	1	50
M50	50.0	15.0	5.5	60.0	19.0	55.0	50.0	22.0-32.0	1478884-7	1	50
M63	63.0	18.0	6.7	70.0	30.0	68.0	64.0	34.0-44.0	1478884-8	1	50

Tooling

Gland Hand Tool Socket

Suitable for Standard Brass and Nylon Glands



Size	Glands	Part Number	Bag Quantity	Package Quantity
AF 17 mm Socket	Brass / Nylon	1634243-1	1	100
AF 19 mm Socket	Brass / Nylon	1634243-2	1	100
AF 22 mm Socket	Brass / Nylon	1634243-3	1	100
AF 24 mm Socket	Brass / Nylon	1634243-4	1	100
AF 27 mm Socket	Brass / Nylon	1634243-5	1	50
AF 29 mm Socket	Brass / Nylon	1634243-6	1	50

**Feature**

- Unique slim socket design
- Easy to use self-ratchet design
- One socket
  - Tightens and releases glands
  - One socket fits one size
- Drive bar drive 1/4" (6.4 mm)

**Benefit**

- High-density installations
- Lower installation time
- Reduced tool costs
- Standard for all sizes

Engineering Notes

A large grid of graph paper for engineering notes, consisting of a 30x40 grid of small squares. The grid is intended for drawing or writing technical specifications.