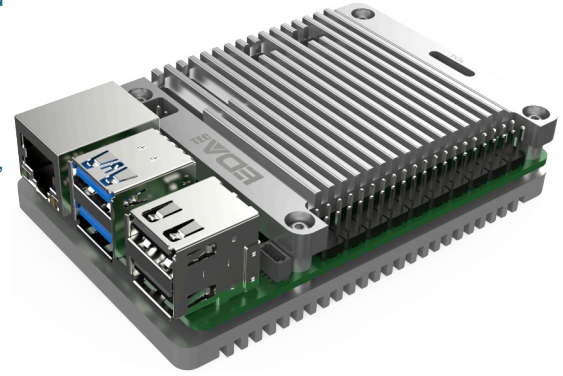


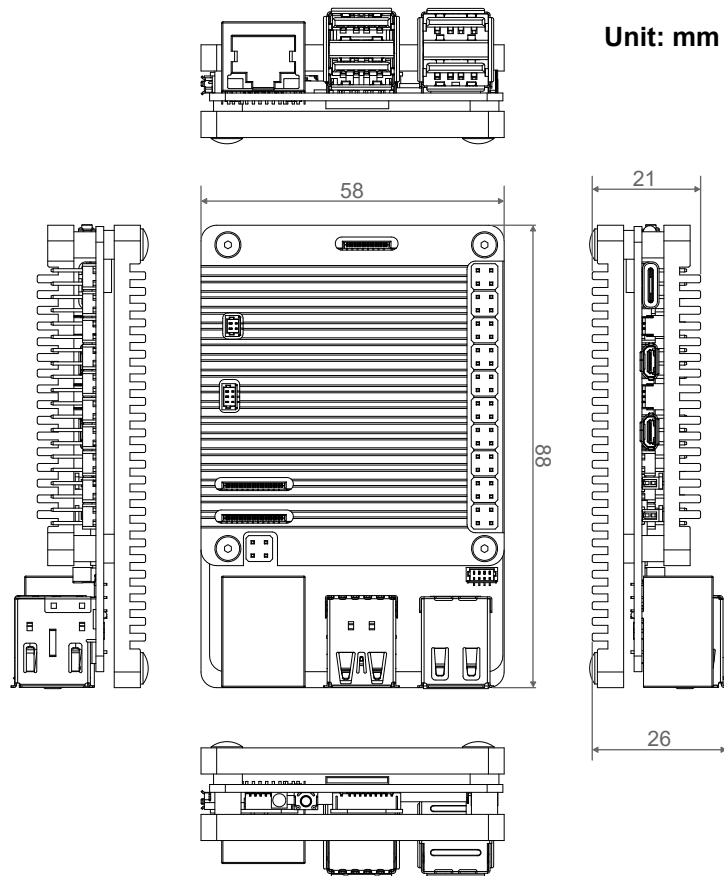
ED-Pi5Case-O(S/B)

Raspberry Pi 5 Passive Cooling Open Aluminum CNC Case

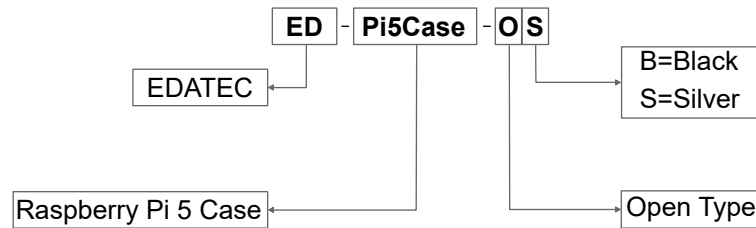
- ◆ Low cost, high quality and beautiful open case by aluminum CNC cut, oxidized surface finish
- ◆ Both top and bottom case provide passive cooling for Raspberry Pi 5 though thermal pads & aluminum body
- ◆ Excellent cooling performance can keep CPU, PMU and wireless module cool, and the CPU temperature can be reduced by up to 15°C
- ◆ Strong Wi-Fi/BT wireless connectivity with open case design
- ◆ All interfaces are accessible
- ◆ Available in various colors including silver and black



Dimensions



Ordering Code



Example

P/N: **ED-Pi5Case-OS**

Configuration: Silver Raspberry Pi 5 Passive Cooling Open Aluminum CNC Case.

Optional Accessory

If you need to extend the installation of HAT module on ED-Pi5Case-O(S/B), the following screw accessories are available.

Model	Description	Picture
ED-Pi5Case-HA-B	An accessory kit (Black) for installing HAT module on ED-Pi5Case-O(S/B) or ED-Pi5Case-B(S/B), with 4 x M2.5*8+11 studs, 4 x M2.5*5 screws and 1 x 40-Pin connector.	
ED-Pi5Case-HA-S	An accessory kit (Silver) for installing HAT module on ED-Pi5Case-O(S/B) or ED-Pi5Case-B(S/B), with 4 x M2.5*8+11 studs, 4 x M2.5*5 screws and 1 x 40-Pin connector.	

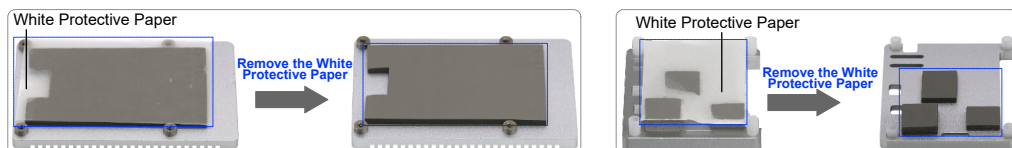
Packing List

- 1 x ED-Pi5Case-O(S/B) Top Cover
- 1 x ED-Pi5Case-O(S/B) Bottom Cover (4 x pads have been installed)
- 1 x Accessory Set (With 4 x M2.5*11 screws and 1 x 1.5mm allen key)

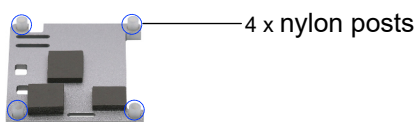
Installation

Note:

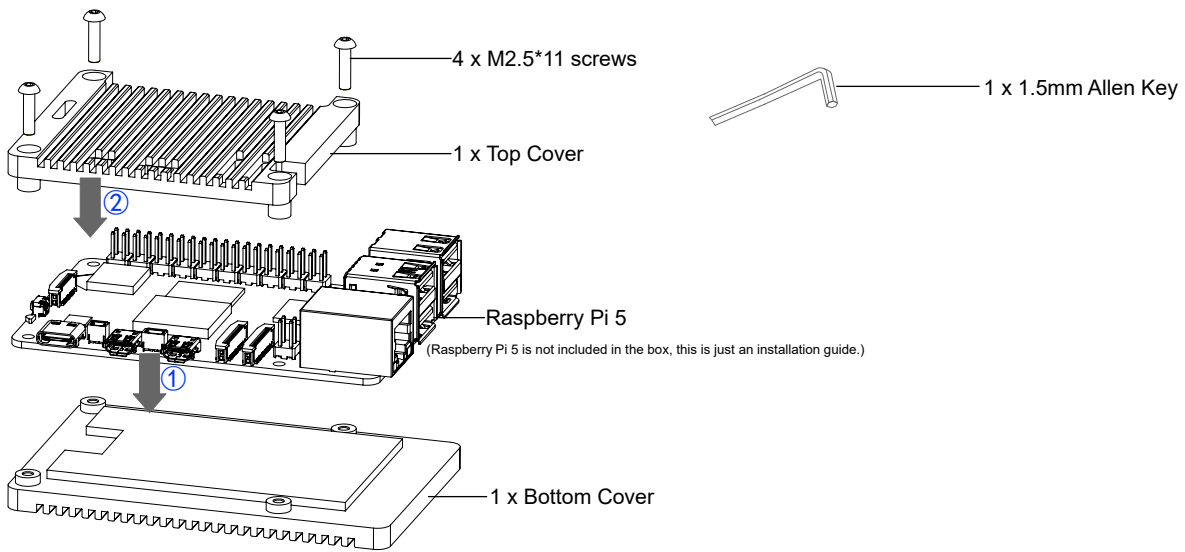
- Before you start installing your Raspberry Pi 5, please remove the White Protective Paper from thermal silicone in the case.



- Before you start installing your Raspberry Pi 5, please check whether the tops of 4 nylon posts in the top cover are on the same level. If there are some tops that are higher than others, please press the higher tops into the mounting holes.



Steps:



- ① Align **Raspberry Pi 5** with the reserved holes on **Bottom Cover** and place it on **Bottom Cover**.
- ② Put **Top Cover** down to cover **Raspberry Pi 5**, and insert 4 M2.5*11 screws into the holes. Then use the allen key to tighten the screws to fix **Top Cover**, **Raspberry Pi 5** and **Bottom Cover**.