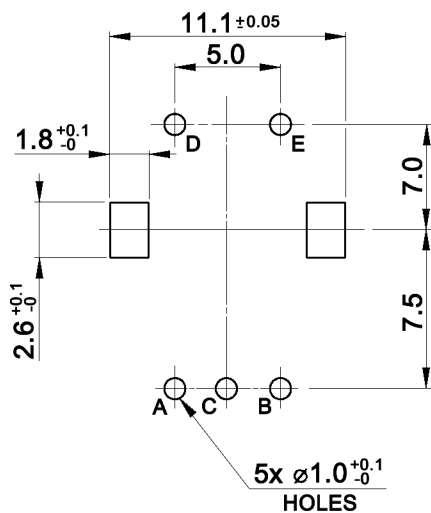
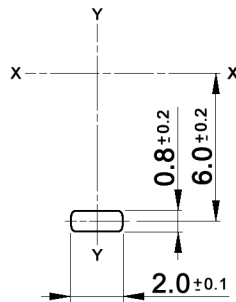


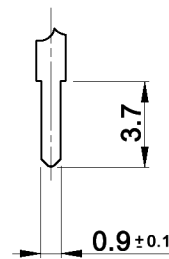
P.C.B. MOUNTING
(TOLERANCE ± 0.1)
VIEWED FROM MOUNTING SIDE
 $t=1.6\text{mm}$



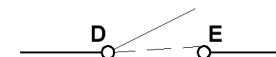
LUG DETAIL



TERMINAL DETAIL



CIRCUIT DIAGRAM



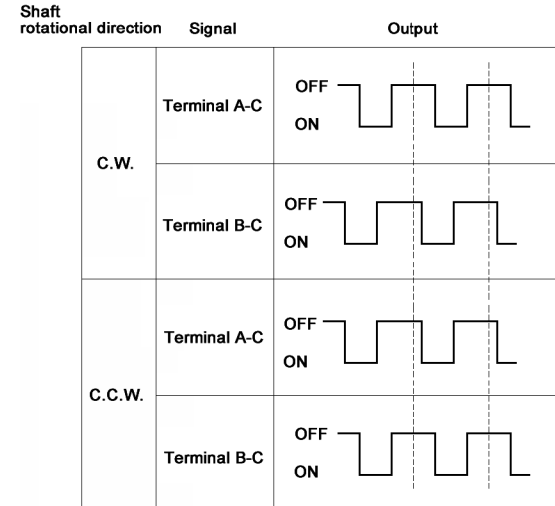
Compliance: RohS III (2015/863/EU)

Tolerances: ≤ 10 : $\pm 0.3\text{mm}$ $10-100$: $\pm 0.5\text{mm}$		Date	Name	MERP11-20120BM7
		03/20	dr	
				knitter-switch
Position lug	07/22	dr	30 43 87	
Modifications	Date	Name		
				Page
				1/2

Specifications:

Contact rating: 10mA, 5V DC (1mA min.)
Contact resistance: 100mOhm max.
Insulation resistance: 100MOhm min. at 250V DC / 1mA
Dielectric strength: 300V AC for 1 minute
Operating temperature: -40°C to +85°C
Storage temperature: -40°C to +85°C
Rotational life: 15 000 cycles
Detent torque: 12 +/-7mNm
Resolution: 20 pulses
No. of detents: 20 detents; step angle: 18° +/-3°
Soldering conditions: 260 +/-5°C, 5 +/-1.0sec.
Switch: Travel: 0.5^{+0.4}_{-0.3} mm
Mechanical life: 25 000 cycles
Operating force: 6 +/-3N
Included accessory: nut x1, washer x1

OUTPUT SIGNAL FORMAT



Compliance: RohS III (2015/863/EU)

Tolerances: ≤10: ±0.3mm 10-100: ±0.5mm		Date	Name	MERP11-20120BM7
		03/20	dr	
		knitter-switch		30 43 87
Position lug	07/22	dr		Page
Modifications	Date	Name		2/2