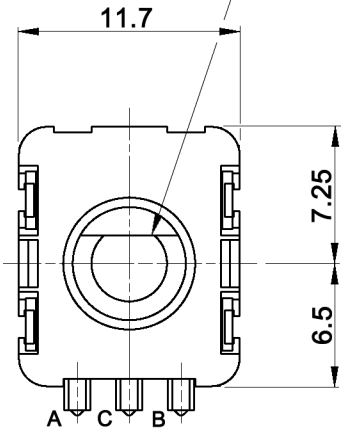
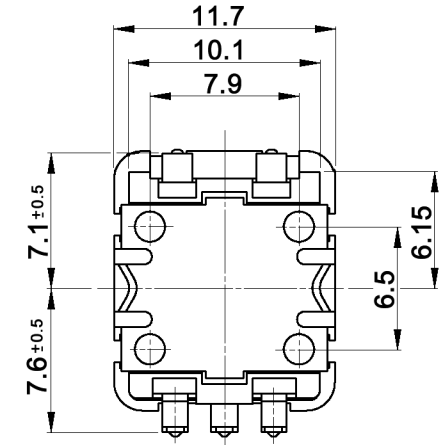
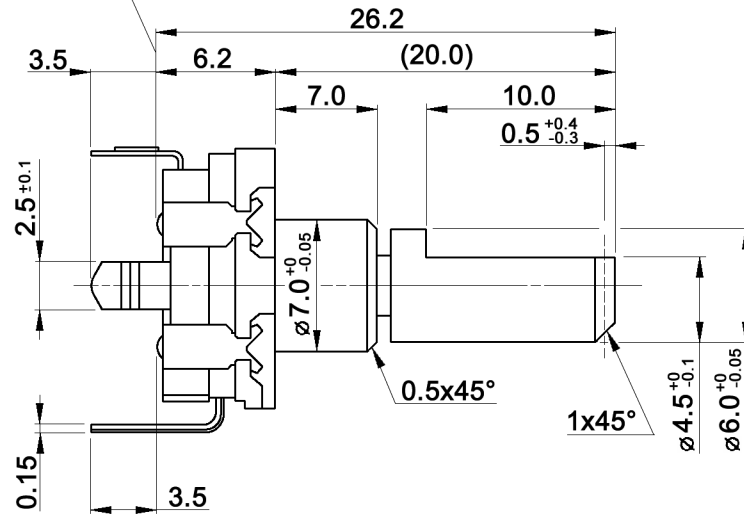


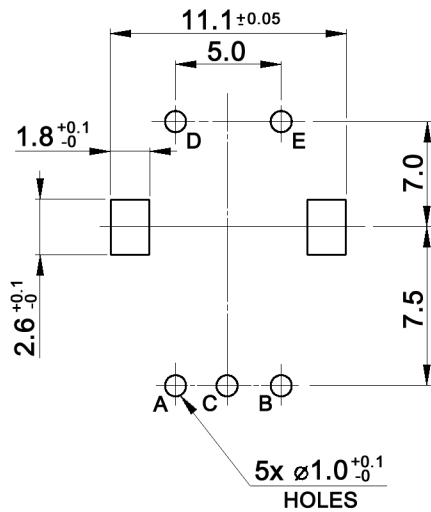
Shaft flat is optional angle



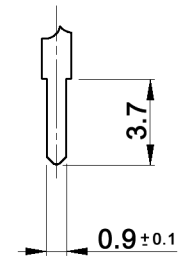
Mounting surface



**P.C.B. MOUNTING**  
(TOLERANCE  $\pm 0.1$ )  
VIEWED FROM MOUNTING SIDE  
 $t=1.6\text{mm}$



**TERMINAL DETAIL**



**CIRCUIT DIAGRAM**



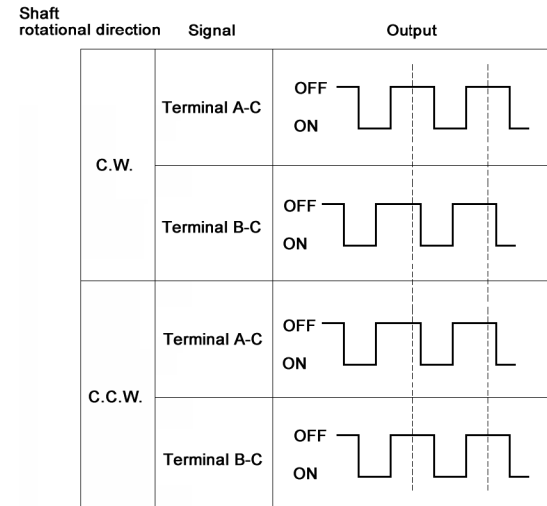
Compliance: RohS III (2015/863/EU)

Tolerances: $\leq 10: \pm 0.3\text{mm}$ $10-100: \pm 0.5\text{mm}$			Date	Name	<h1>MERP11-20120B</h1>
			04/08	dr	
Soldering conditions	08/20	dr	<b>knitter-switch</b>		<h2>30 14 58</h2>
Output signal format	03/11	dr			
Temperatures	07/08	dr			Page
Modifications	Date	Name			1/2

**Specifications:**

**Contact rating:** 10mA, 5V DC (1mA min.)  
**Contact resistance:** 100mOhm max.  
**Insulation resistance:** 100MOhm min. at 250V DC / 1mA  
**Dielectric strength:** 300V AC for 1 minute  
**Operating temperature:** -40°C to +85°C  
**Storage temperature:** -40°C to +85°C  
**Rotational life:** 15 000 cycles  
**Detent torque:** 12 +/-7mNm  
**Resolution:** 20 pulses  
**No. of detents:** 20 detents; step angle: 18° +/-3°  
**Soldering conditions:** pre-heat: 100°C max., 120 sec. max.  
 wave soldering: 265°C max., 6 sec. max.  
**Switch:** Travel: 0.5 <sup>+0.4</sup><sub>-0.3</sub> mm  
 Mechanical life: 25 000 cycles  
 Operating force: 6 +/-3N

**OUTPUT SIGNAL FORMAT**



Compliance: RohS III (2015/863/EU)

Tolerances: ≤10: ±0.3mm 10-100: ±0.5mm			Date	Name	<b>MERP11-20120B</b>
			04/08	dr	
Soldering conditions	08/20	dr	<b>knitter-switch</b>		<b>30 14 58</b>
Output signal format	03/11	dr			
Temperatures	07/08	dr			
Modifications	Date	Name			
					Page
					2/2