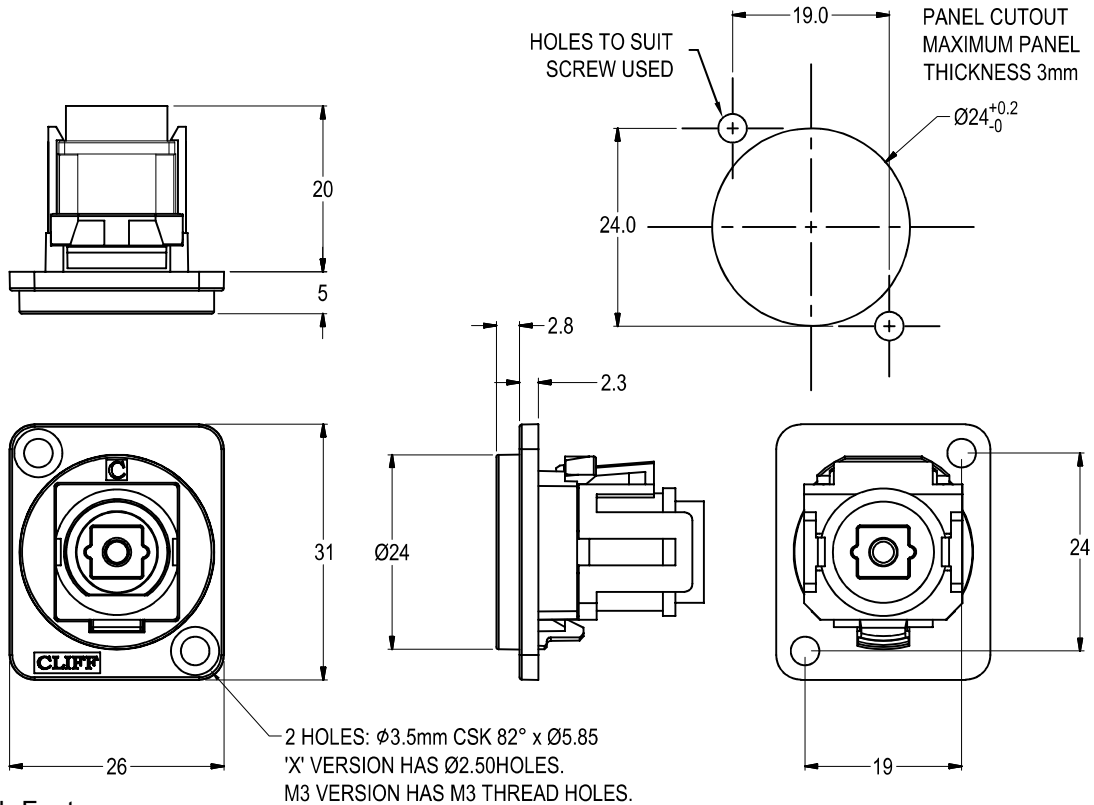




TOSLINK FEEDTHROUGH CONNECTOR



Feedthrough Features

- Fits standard XLR $\varnothing 24\text{mm}$ cutout.
- No soldering or punch termination. Use standard cable for each connector style.
- Front or rear mounted.
- Low rear profile

General:

Please note: Functionality is affected by cable quality, length and cable wiring configuration.

Material:

1. Insert: ABS
2. Plastic Frame: Polyamide UL94 V-2
3. Metal Frame: Diecast, Black or Nickel plated

VARIANTS

Part No.

CP30217	TOSLINK Black plastic frame, CSK holes
CP30217M	TOSLINK Nickel plated metal frame, CSK holes
CP30217M3	TOSLINK Nickel plated metal frame, M3 holes
CP30217MB	TOSLINK Black metal frame, CSK holes
CP30217M3B	TOSLINK MM Black metal frame, M3 holes
CP30217X	TOSLINK MM Black plastic frame, PLAIN holes

Notes:

1. Operating Temperature: -20°C to 50°C