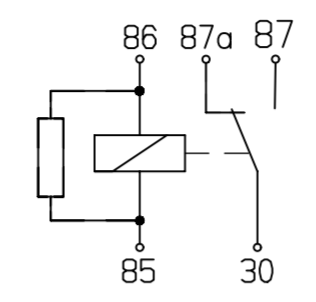
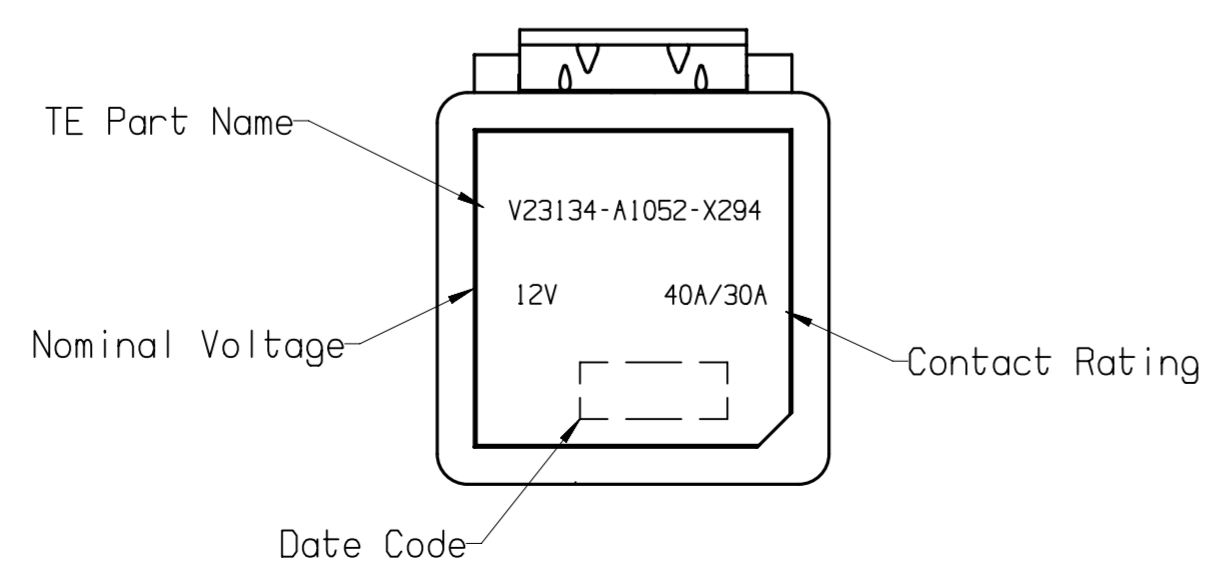
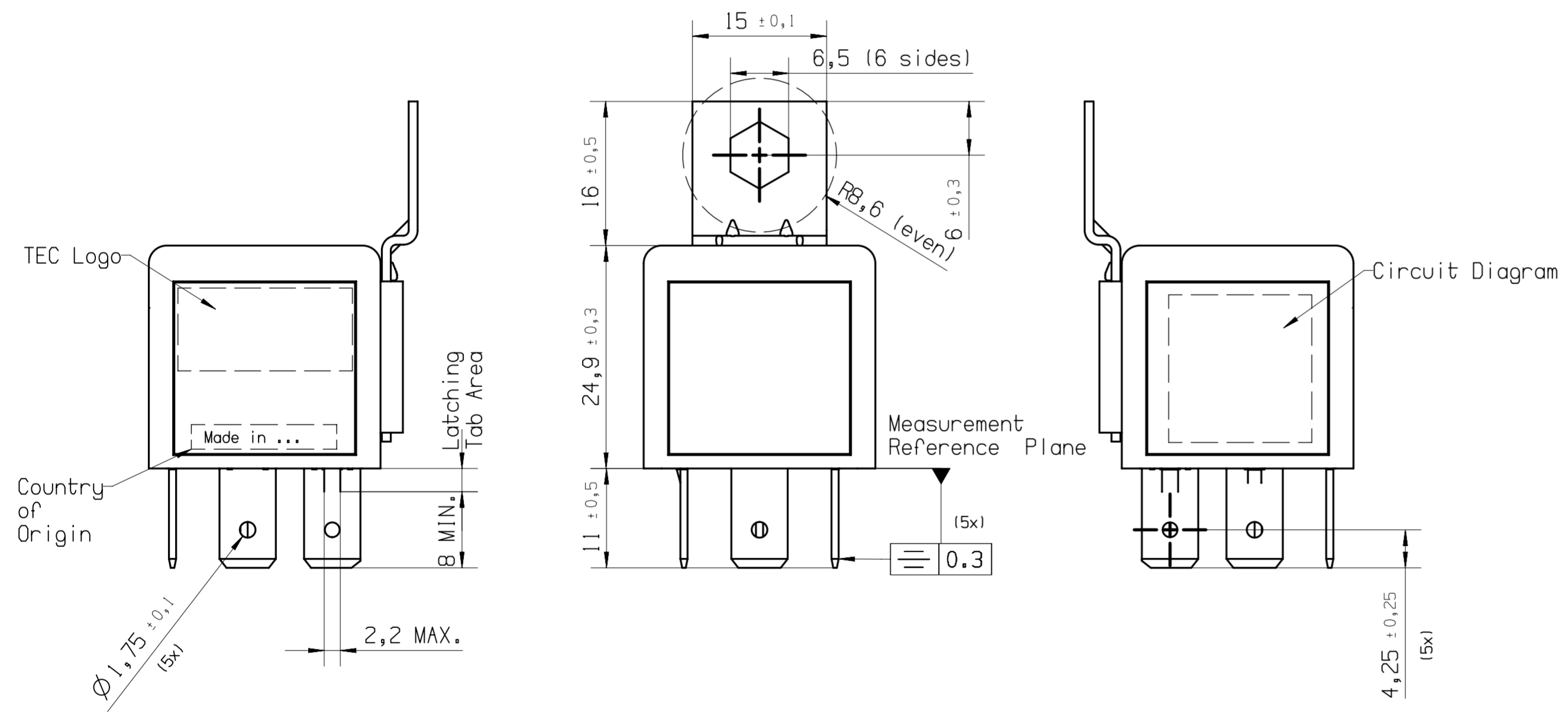


CIRCUIT DIAGRAM



Dustproof:
 Protection class IP 54 acc. to IEC 529 (EN 60529)
 All plug-terminals
 Terminals shape similar to ISO 8092-1
 Coil and Load Terminals 6.3 mm±0.1 mm x 0.8 mm±0.05 mm
 Integrated component: Resistor 560 Ohm



PART	MATERIAL	COLOUR
Cover	PA 66 GF 25	Mouse Grey sim. to RAL 7005
Base	PA 66 GF 25	Black sim. to RAL 9005
Coil Terminals 85 and 86	CuSn	Pre-tinned Sn
Load terminals 30, 87 and 87a	E-Cu	Pre-tinned Sn

Nominal Voltage: 12 V
 Coil Resistance: 91 Ohm ±10% at 23° C
 Equivalent Resistance: 78,3 Ohm ±10% at 23° C

1) At Base level

PART NUMBER	PART NAME	Country of Origin
6-1393302-0	V23134-A1052-X294	Portugal

PROPRIETARY
 THE REPRODUCTION, TRANSMISSION OR USE OF THIS DOCUMENT OR IT'S CONTENTS IS NOT PERMITTED WITHOUT EXPRESSED WRITTEN AUTHORITY. OFFENDERS WILL BE LIABLE FOR ALL DAMAGES. ALL RIGHTS, INCLUDING RIGHTS CREATED BY REGISTERED PATENT(S) GRANTED FOR A UTILITY MODEL OR DESIGN, ARE RESERVED.

CHANGES TO THIS DRAWING MUST BE DONE ONLY IN CAD

PAPER SIZE: A2

APPLICABLE SPEC.:		FINISH	
DIMENSIONS APPLY		PLATING	
TOLERANCE UNLESS SPECIFIED OTHERWISE	SCALE: 2:1	WEIGHT	
DIMENSIONS IN MM		MATERIAL	
DATE: 15MAR2023		PART NAME: POWER F RELAY CHANGE OVER	
NAME: L.Sandoval		DWG NO.: C - V23134-A1052-X294	
APP.:		SHT. 1 OF 1	
REV.:		CUSTOMER DRAWING	
LOCATION: PE EVORA			
REV. CHANGE ORDER			
DATE			
APP.			

