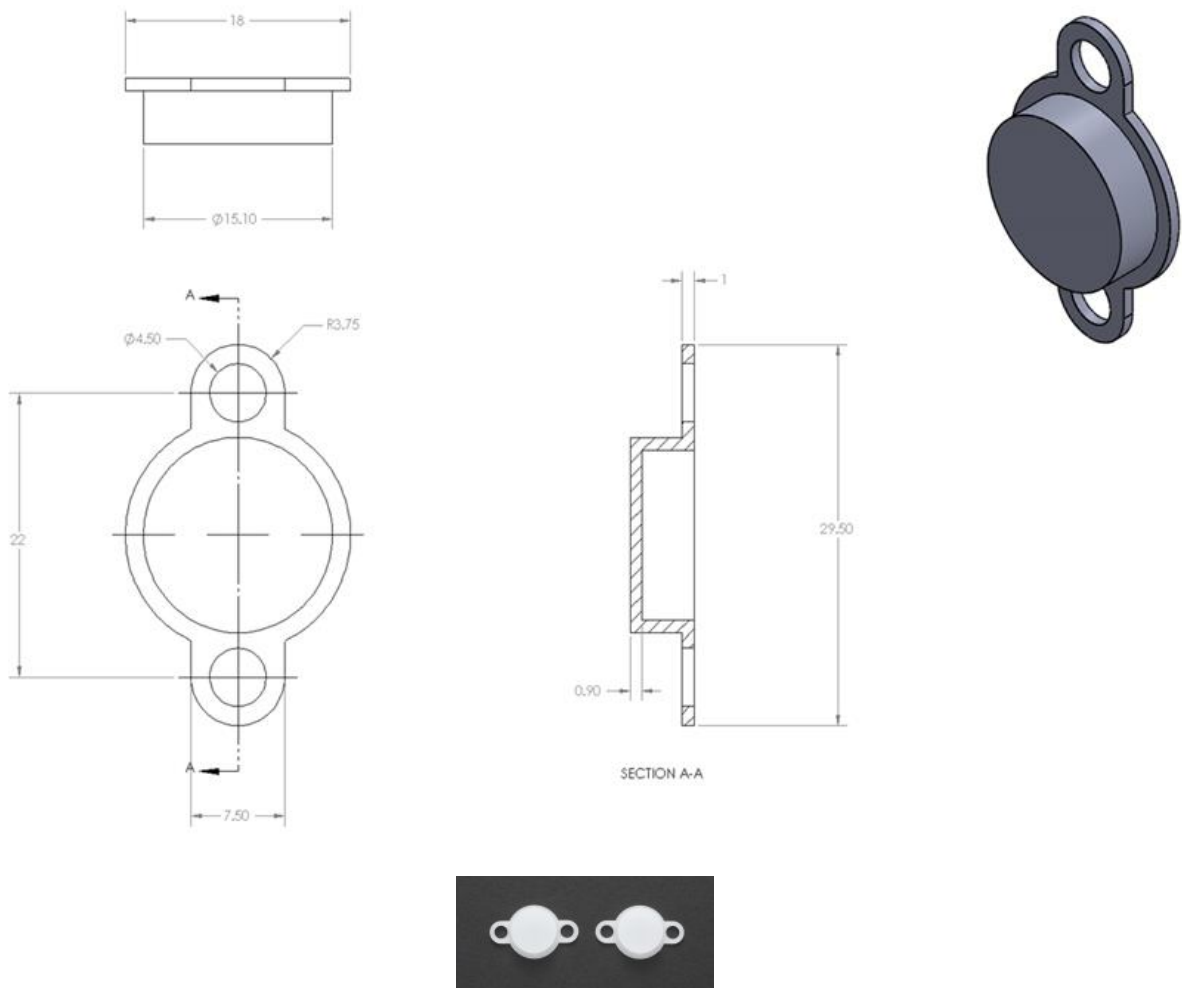


# Lens TMOS00-03 for TMOS EVK

(Protection CAP)

This document specifies TMOS sensor STHS34PF80 from STMicroelectronics, PCB TMOS 34PF80 Rev2.1 noled FrontCable, and Lens TMOS00-03 from Fresnel Factory Inc.

## 1. Dimension of TMOS00-03 Lens

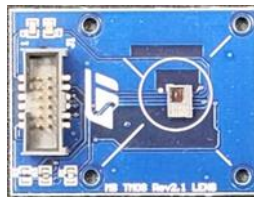


## 2. Housing for EVK with PCB TMOS\_34PF80 Rev2.1\_noled\_FrontCable.

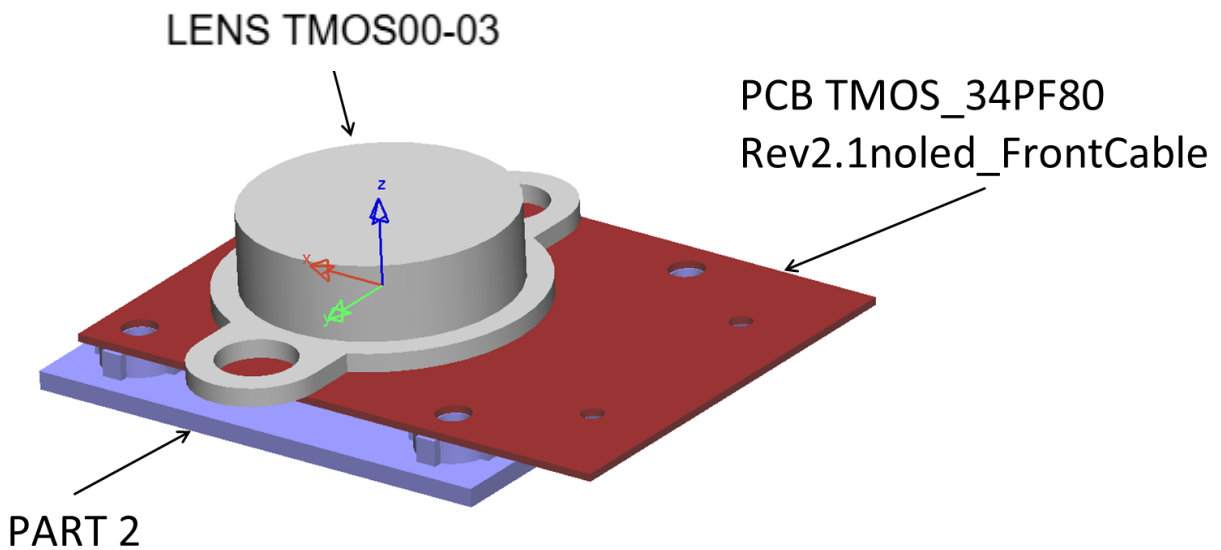
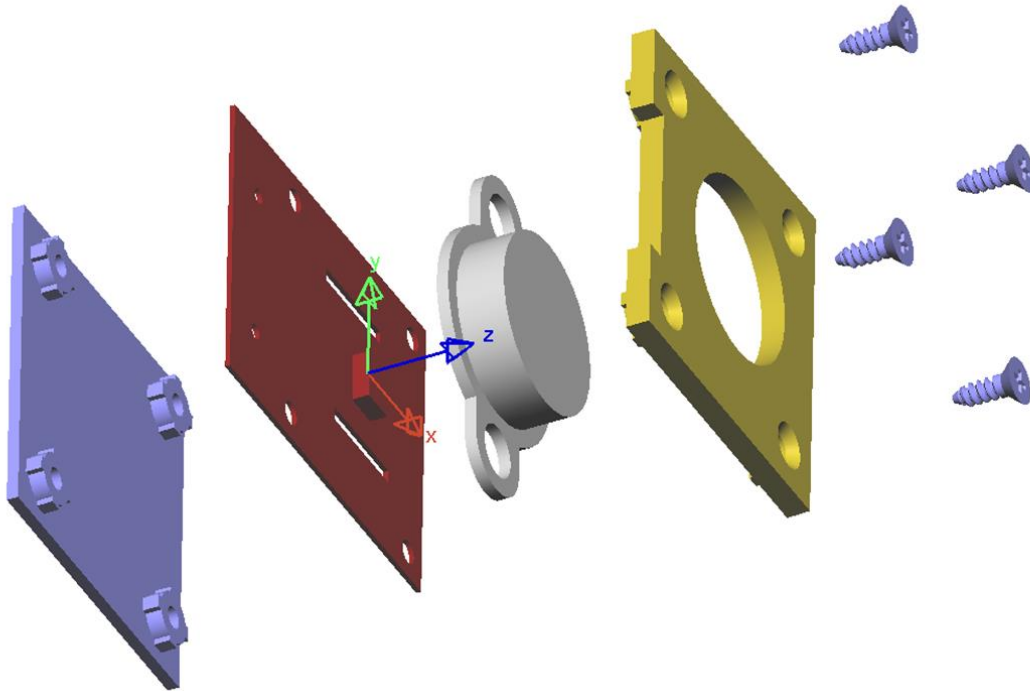
Please download 3D STP file for 3D printing in link below.

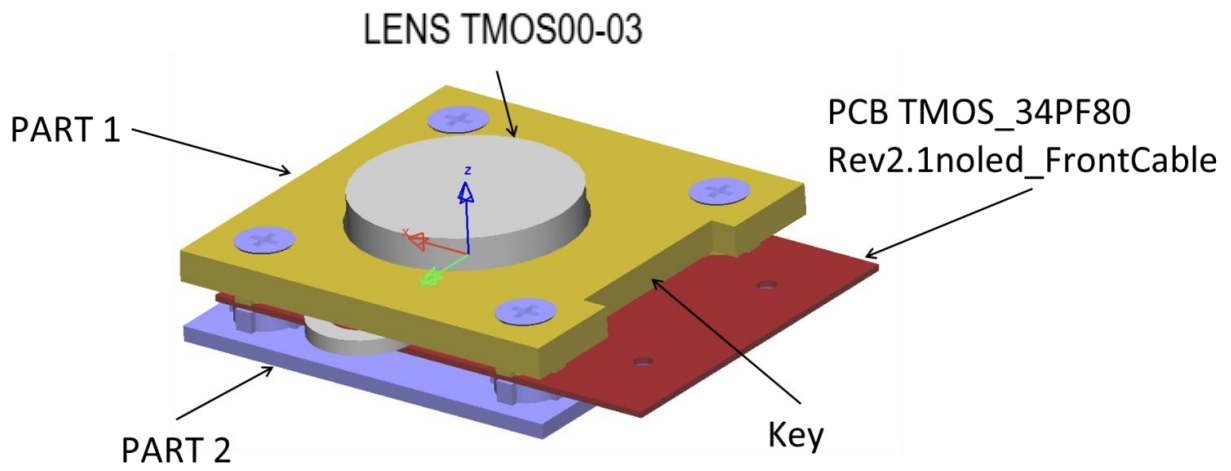
Download link <a href="http://shorturl.at/gns35">shorturl.at/gns35</a>	
---	---

Housing consist two Parts, Part #1 with Directional Key. Key must be faced to the PCB connector (see picture below). Housing fastened by 4 Philips self-tapping Screws M2x8



PCB TMOS\_34PF80Rev2.1\_noled\_FrontCable





- Contact  
Fresnel Factory Inc.  
Ashton Myung KIM  
ashton@fresnelfactory.com  
+82 10-5248-4630