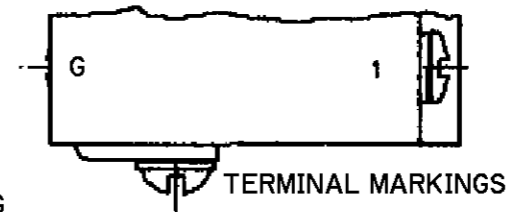
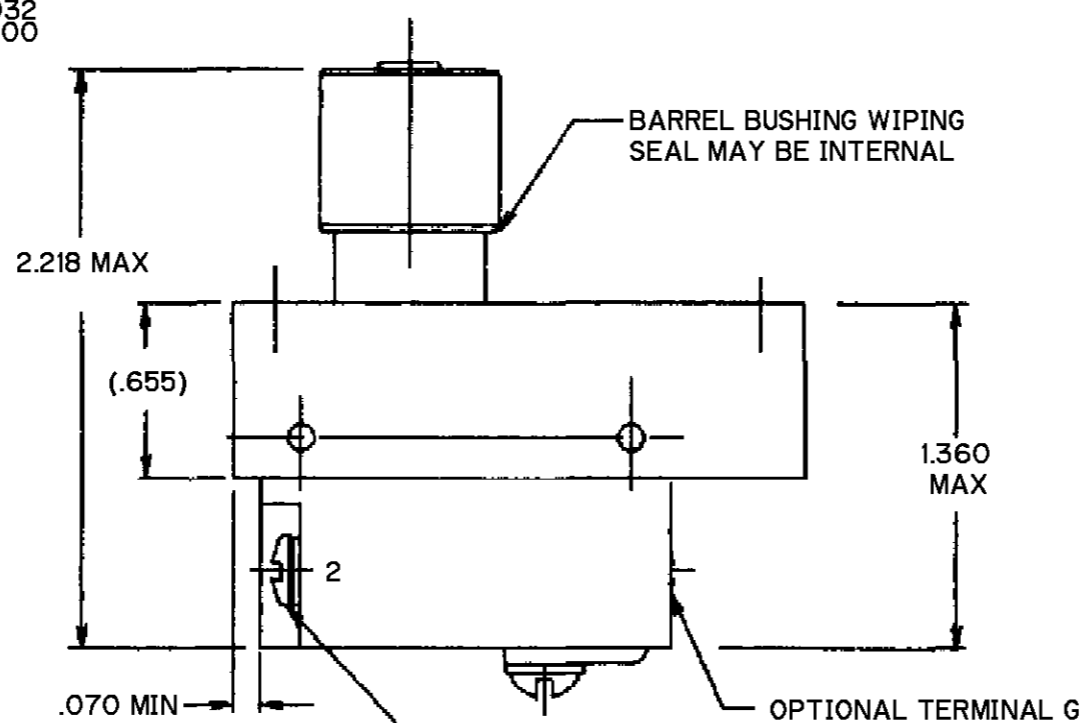
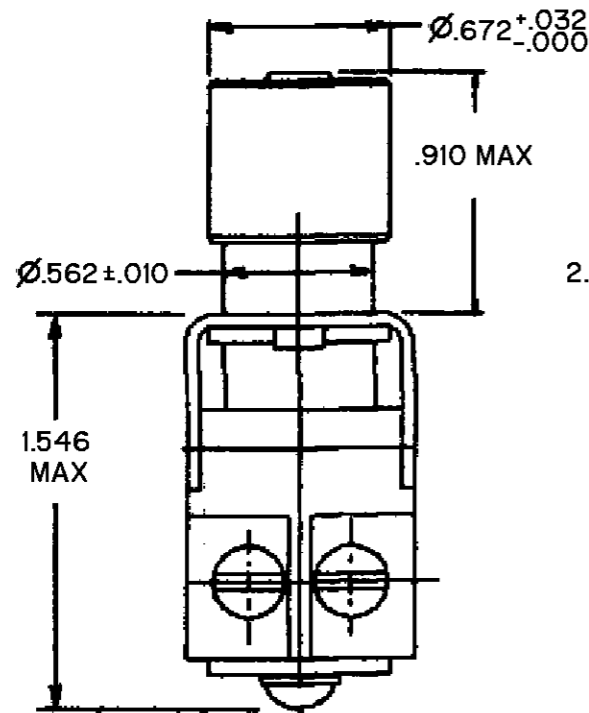
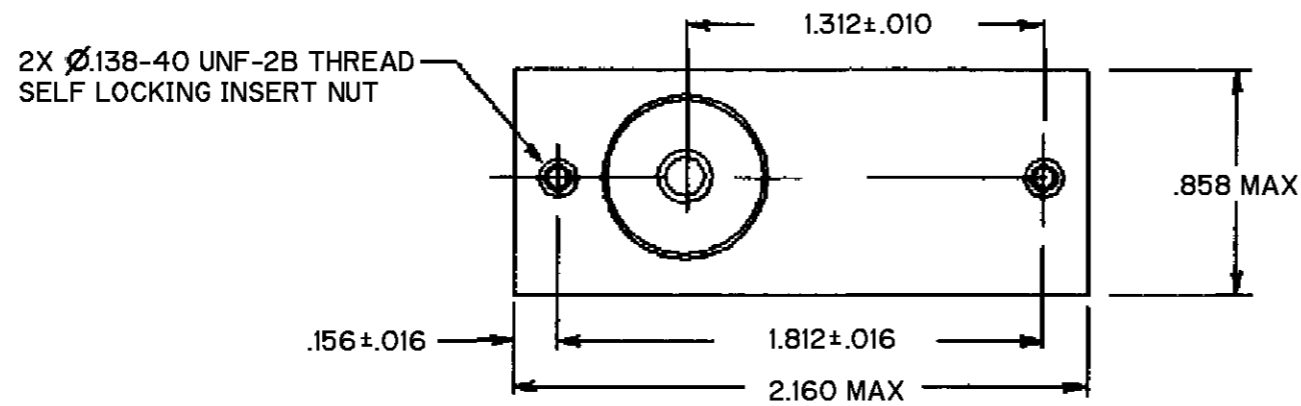


CATALOG LISTING
JS-551
 PAGE 1 OF 1
 REPLACES PR-24110
 ISSUE 3
 REVISIONS
 A CO-96028 C S L 17 MAR 00
 B ECO-0002767 RS 05 JAN 04
 CHECK 6 OCT 99
 CHECK SAV 6 OCT 99
 CHECK JJA 6 OCT 99
 DRAWN
 FORMTEK



TERMINAL G
 $\varnothing.138-32$ UNC-2A
 (*6-32 UNC-2A) .250
 LONG ROUND HEAD
 SCREW MS35338-98
 LOCKWASHER OR
 EQUIVALENT

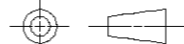
3X $\varnothing.125-40$ UNC-2A
 (*5-40 UNC-2A) .250
 LONG BINDING HEAD
 SCREW (1 ADDITIONAL
 G TERMINAL OPTIONAL)

NOTES

- 1 - SWITCH SEALED PER MIL-PRF-8805, SYMBOL 1
- 2 - TERMINAL HARDWARE PACKET FURNISHED UNASSEMBLED:
15PA308-JS INCLUDES BUSS BRACKET AND TERMINAL SCREWS
- 3 - MICRO SWITCH, MANUFACTURER'S CAGE CODE, CATALOG LISTING,
MILITARY PART NUMBER AND DATE CODE IDENTIFIED ON SIDE OF SWITCH
- 4 - OPERATING TEMPERATURE RANGE: -40°C TO +85°C

THIS DRAWING COVERS A PROPRIETARY ITEM AND IS THE PROPERTY OF MICRO SWITCH, A DIVISION OF HONEYWELL. THIS DRAWING IS NOT TO BE COPIED OR USED WITHOUT THE APPROVAL OF MICRO SWITCH

THIRD ANGLE PROJECTION



SCALE NONE

DO NOT SCALE PRINT

UNLESS OTHERWISE SPECIFIED TOLERANCES ARE

ONE PLACE (.0) \pm .030

TWO PLACE (.00) \pm .015

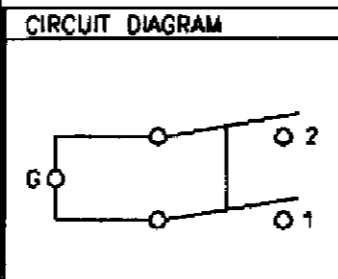
THREE PLACE (.000) \pm .005

ANGLES \pm

WEIGHT .25 LB MAX

CHARACTERISTICS	
ACTUATING FORCE	7 - 11 LBS
FULL OVERTRAVEL FORCE	20 LBS MAX
RELEASE FORCE	.5 LB MIN
PRETRAVEL	.090 MIN
DIFFERENTIAL TRAVEL	.050 MIN
OVERTRAVEL	.050 MIN
TOTAL TRAVEL	.165 MIN

ELECTRICAL DATA		
CONTACT ARRANGEMENT D P S T - N O		
28 VDC		
	RATED LOAD	OVERLOAD
INDUCTIVE	.75	1.75



ANSI Y14.5M-1982 APPLIES