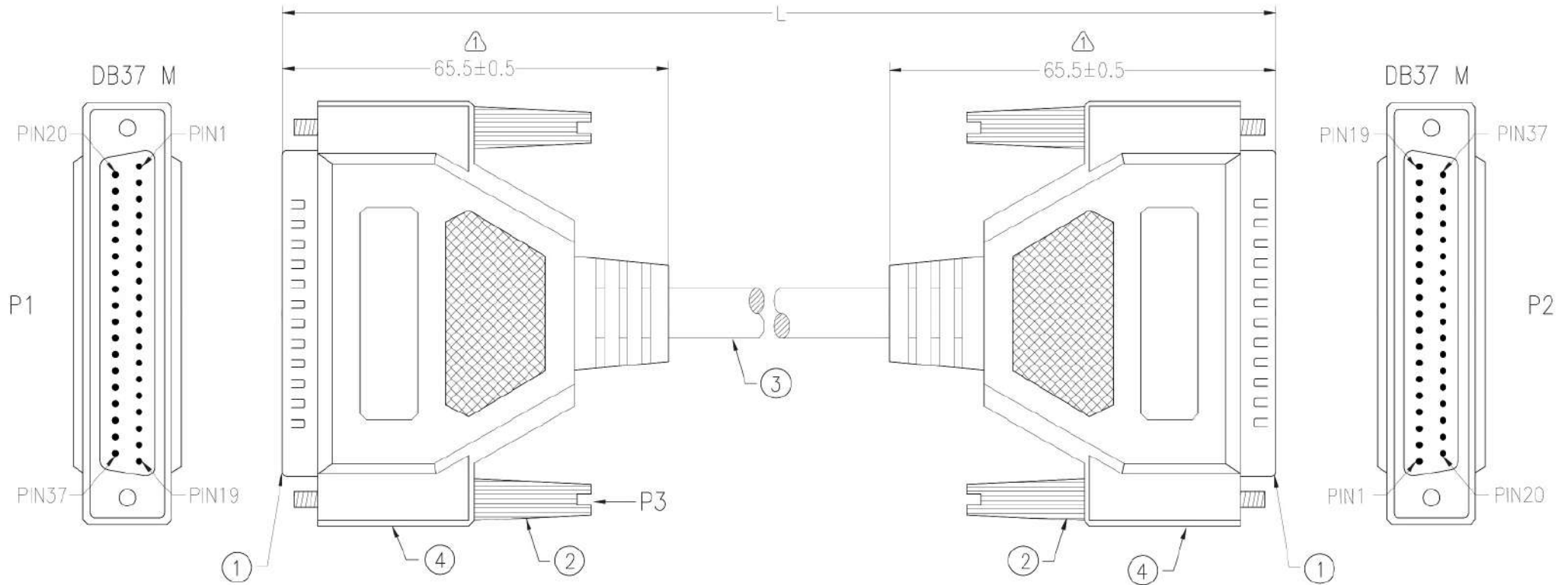


P1,P2: M-Y219A
M-219B

P3: M-432A

Customer No: No: 1



PAGE 1 OF 2

△ REV.2 2016.06.20	MODIFY MOLDED SCREW AND ALUMINUM FOIL LENGTH, ADD NOTE	△ REV.3 2019.07.05	MODIFY PRODUCT NO
△ REV.1 2010.07.26	MODIFY MOLDED SIZE	CHECKED	

No.	DESCRIPTION		Q'TY	Supplier	
APPROVED		CompuCable USA		Cable Length Unless Other Spec. Tolerances: 0 ~200mm ±10mm 201~1000mm ±20mm 1001 ~1500mm ±25mm 1501~2100mm ±30mm 2100mm↑ ±40mm	
CHECKED	HU				
DRAWING	ZHU				
DATE	05/JULY/19	ITEM NO.	DMC-37MM-XXB	UNIT:mm	

P1,P2: M-Y219A
M-219B


Customer No: No: 1

P3: M-432A 

3032


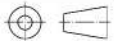
P1	P2	P1	P2		
1	1	BROWN	20	20	LIGHT GREEN/WHITE
2	2	BROWN/WHITE	21	21	LIGHT GREEN/BLACK
3	3	BROWN/BLACK	22	22	BLUE
4	4	RED	23	23	BLUE/WHITE
5	5	RED/WHITE	24	24	BLUE/BLACK
6	6	RED/BLACK	25	25	LIGHT BLUE
7	7	ORANGE	26	26	LIGHT BLUE/WHITE
8	8	ORANGE/WHITE	27	27	LIGHT BLUE/BLACK
9	9	ORANGE/BLACK	28	28	PURPLE
10	10	PINK	29	29	PURPLE/WHITE
11	11	PINK/WHITE	30	30	PURPLE/BLACK
12	12	PINK/BLACK	31	31	GREY
13	13	YELLOW	32	32	GREY/WHITE
14	14	YELLOW/WHITE	33	33	GREY/BLACK
15	15	YELLOW/BLACK	34	34	WHITE
16	16	GREEN	35	35	WHITE/BLACK
17	17	GREEN/WHITE	36	36	BLACK
18	18	GREEN/BLACK	37	37	BLACK/WHITE
19	19	LIGHT GREEN SHIELD			SHIELD

P/N	Length(L)
DMC-37MM-03B	3 FT
DMC-37MM-06B	6 FT
DMC-37MM-10B	10 FT

 *NOTE: All relevant materials are complied with RoHS directive .

4	BLACK PVC TUPE ϕ 3.0*42mm	H7A001-0304K09	2	M304
	ALUMINUM FOIL 38*130mm 	A6MA09-0309	2	M309
	MOLDED PE COLOR TRANSPARENT	A5BA02-0280		M280
	MOLDED PVC BEIGE	H5BL40-0304B01		M304
3	NON-UL 37C 28AWG, ALUM-MYLAR FOIL SHIELDING WITH DRAIN WIRE, OD 8.5mm, JACKET BEIGE, DRAWING No.EMAL2837C-104	H1BF01-0304B01	L+20mm	M304
2	MOLDED SCREW #4-40, LENGTH 46.5mm, BEIGE	H1RB01-0304B01 A6AA30-0095	4	M95
1	DB37 MALE, GOLD FLASH ON CONTACTS, BLUE INSULATOR	A1AF02-0108U09	2	M108
No.	DESCRIPTION		Q'TY	Supplier



APPROVED			Cable Length Unless Other Spec. Tolerances: 0 ~200mm \pm 10mm 201~1000mm \pm 20mm 1001 ~1500mm \pm 25mm 1501~2100mm \pm 30mm 2100mm \uparrow \pm 40mm		
CHECKED	HU				
DRAWING	ZHU				
DATE	05/JULY/19	ITEM NO.	DMC-37MM-XXB	UNIT:mm	

PAGE 2 OF 2

 REV.2 2016.06.20 MODIFY MOLDED SCREW AND ALUMINUM FOIL LENGTH, ADD NOTE  REV.3 2019.07.05 MODIFY PRODUCT NO

 REV.1 2010.07.26 MODIFY MOLDED SIZE

CHECKED