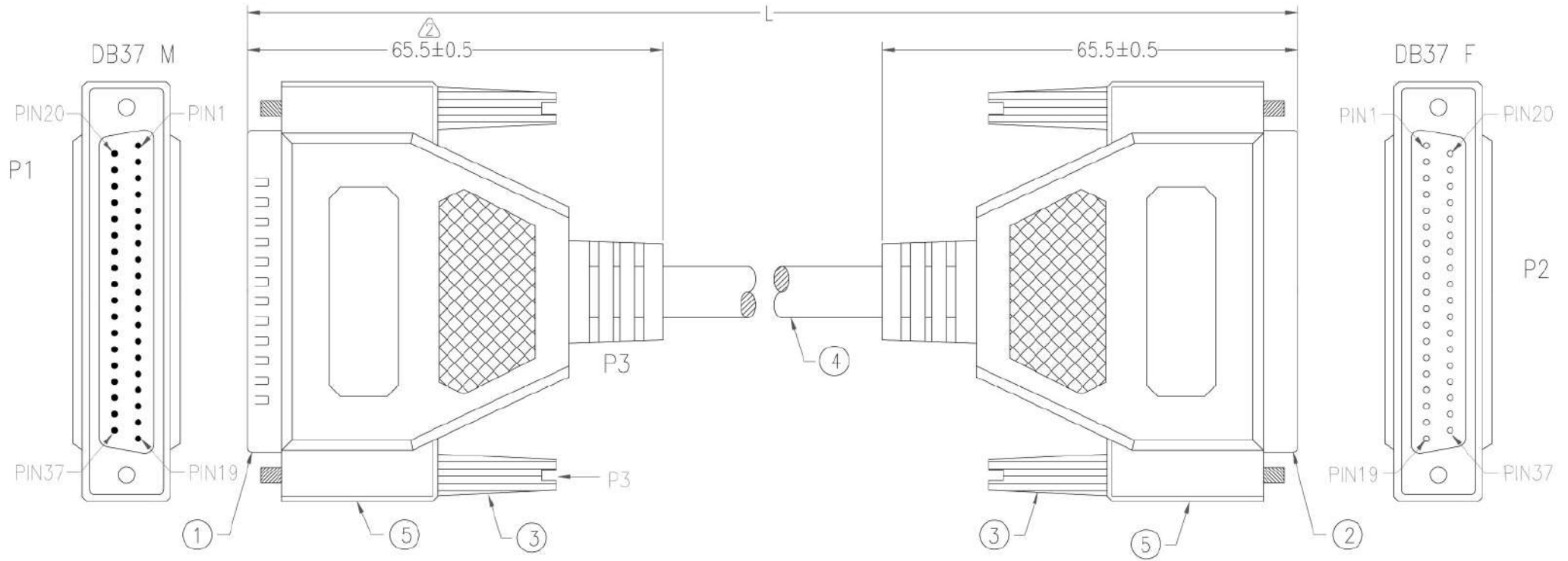


P1,P2: M-Y219A  
M-219B

P3: M-432A

Customer No: No:1



PAGE 1 OF 2

REV.2	2010.06.14	MODIFY MOLDED SCREW AND ALUMINUM FOIL LENGTH, ADD NOTE
REV.2	2010.06.14	MODIFY MOLDED LENGTH
REV.1	2004.06.21	CHECKED

No.	DESCRIPTION	Q'TY	Supplier
APPROVED		Cable Length Unless Other Spec.	
CHECKED		Tolerances:	
DRAWING		0 ~0.2M ±0.01M	0.21~1.0M ±0.02M
DATE	20/JUN/16	ITEM NO.	DMC-37MF-XXB
		UNIT:mm	

P1,P2: M-Y219A  
M-219B

Customer No: No:1

P3: M-432A 

3033

P1	P2	P1	P2		
1	1	BROWN	20	20	LIGHT GREEN/WHITE
2	2	BROWN/WHITE	21	21	LIGHT GREEN/BLACK
3	3	BROWN/BLACK	22	22	BLUE
4	4	RED	23	23	BLUE/WHITE
5	5	RED/WHITE	24	24	BLUE/BLACK
6	6	RED/BLACK	25	25	LIGHT BLUE
7	7	ORANGE	26	26	LIGHT BLUE/WHITE
8	8	ORANGE/WHITE	27	27	LIGHT BLUE/BLACK
9	9	ORANGE/BLACK	28	28	PURPLE
10	10	PINK	29	29	PURPLE/WHITE
11	11	PINK/WHITE	30	30	PURPLE/BLACK
12	12	PINK/BLACK	31	31	GREY
13	13	YELLOW	32	32	GREY/WHITE
14	14	YELLOW/WHITE	33	33	GREY/BLACK
15	15	YELLOW/BLACK	34	34	WHITE
16	16	GREEN	35	35	WHITE/BLACK
17	17	GREEN/WHITE	36	36	BLACK
18	18	GREEN/BLACK	37	37	BLACK/WHITE
19	19	LIGHT GREEN SHIELD			SHIELD



P/N	Length(L)
DMC-37MF-03B	3 FT
DMC-37MF-06B	6 FT
DMC-37MF-10B	10 FT

 NOTE: ALL relevant materials are complied with RoHS directive

5	BLACK PVC TUPE $\phi$ 3.0*42mm	H7A001-0304K09	2	M304
	ALUMINUM FOIL 38*130mm 	A6MA09-0579	2	M579
	MOLDED PE COLOR TRANSPARENT	A5BA02-0280		M280
	MOLDED PVC BEIGE	H5BL40-0304B01		M304
4	NON-UL 37C 28AWG, ALUM-MYLAR FOIL SHIELDING WITH DRAIN WIRE, OD 8.5mm, JACKET BEIGE, DRAWING No. EMAL2837C-104	H1BF01-0304B01	L-20mm	M304
3	MOLDED SCREW #4-40, LENGTH 46.5mm, BEIGE	A6AA30-0095	4	M95
2	DB37 FEMALE, GOLD FLASH ON CONTACTS, BLUE INSULATOR	A1AF03-0108	1	M108
1	DB37 MALE, GOLD FLASH ON CONTACTS, BLUE INSULATOR	A1AF06-0108	1	M108
No.	DESCRIPTION		Q'TY	Supplier

PAGE 2 OF 2

 REV.2	2010.06.14	MODIFY MOLDED SCREW AND ALUMINUM FOIL LENGTH, ADD NOTE		
REV.2	2010.06.14	MODIFY MOLDED LENGTH		
REV.1	2004.06.21		CHECKED	

APPROVED	2016.06.21		Cable Length Unless Other Spec. Tolerances: 0 ~0.2M ±0.01M 0.21~1.0M ±0.02M 1.1 ~1.5M ±0.025M 1.51~2.1M ±0.03M 2.1M ↑ ±0.04M	
CHECKED				
DRAWING	XIAO			
DATE	20/JUN/16	ITEM NO.	DMC-37MF-XXB	UNIT:mm 