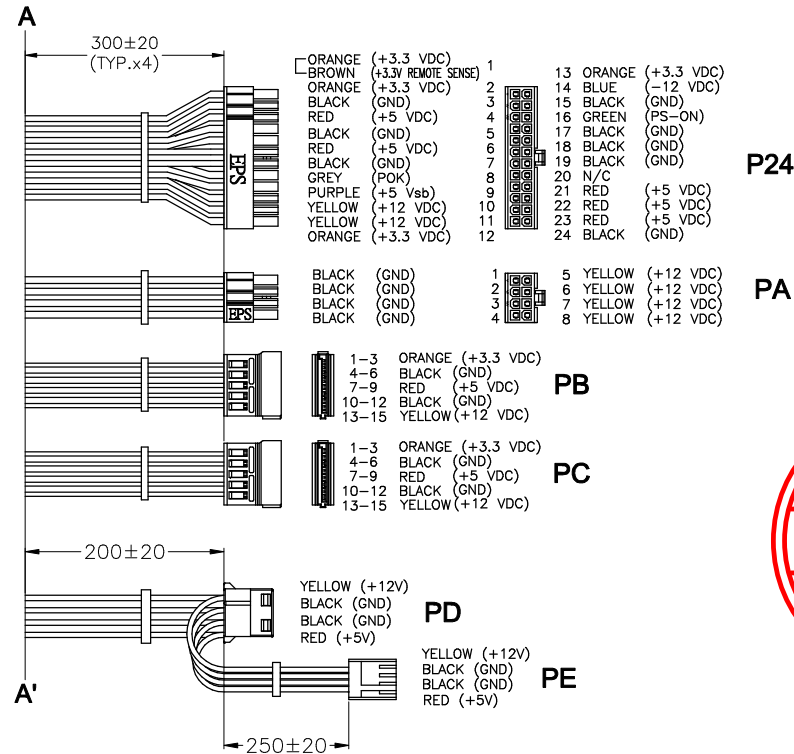
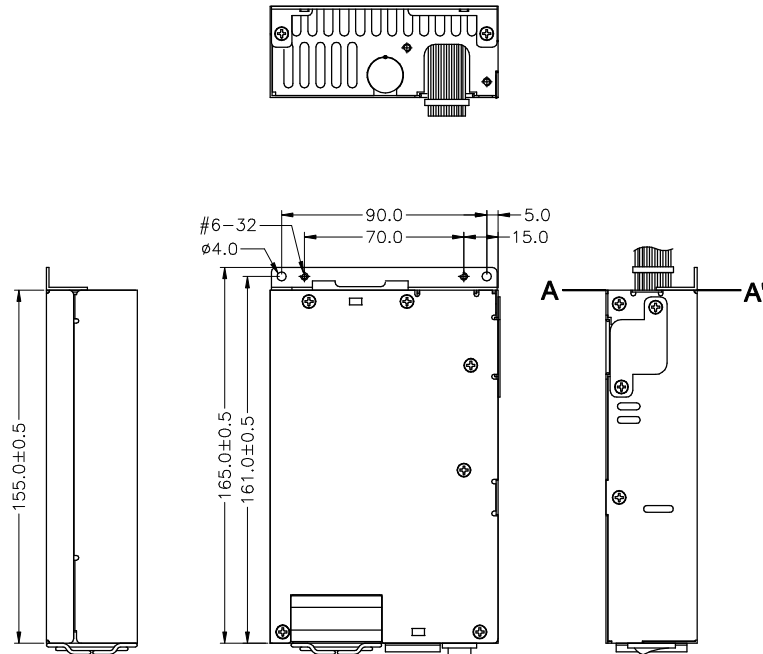




修訂 REVISIONS		日期 DATE
版次 REV.	配述 DESCRIPTION	

A
B
C
D
E



Notes:

- (a) All the Length of Output Wires Exclude Housing.
- (b) P24 Connector: MOLEX 39-01-2240 or EQUIV.
Terminal: MOLEX 39-00-0059 or EQUIV.
- (c) PA Connector: MOLEX 39-01-2080 or EQUIV.
Terminal: MOLEX 39-00-0059 or EQUIV.
- (d) PB,PC Connector: MOLEX 675820000 or EQUIV.
Terminal: MOLEX 675810000 or EQUIV.
- (e) PD Connector: AMP 1-480424-0 or EQUIV.
Terminal: AMP 61117-4 or EQUIV.
- (f) PE Connector: AMP 171822-4 or EQUIV.
Terminal: AMP 170262-1 or EQUIV.

容許公差: TOLERANCES:	.XXX ±.025 .XX ±.100 .X ±.250
----------------------	-------------------------------------

材料規格: MATERIAL:	
核准者: APPROVE BY:	黃永欣
日期: DATE:	AUG-27-2012

日期: DATE:	AUG-27-2012
日期: DATE:	AUG-27-2012
日期: DATE:	AUG-27-2012

投影法: PROJECTION:	第三角法
---------------------	------

審核者: CHECK BY:	李宗翰
繪圖者: DRAW BY:	陳燕屏

新巨企業股份有限公司 ZIPPY TECHNOLOGY CORP. POWER DIVISION	
品名: MODEL NO:	H1U-5300V
料號: PART NO:	B00H1U030V017
圖號: DRAW NO:	B00H1U030V017
槽號: FILE NO:	B00H1U030V017
單位: UNITS:	mm
版次: REV. NO:	B1
規格: SPEC:	A1
編號: SHEET:	OF