



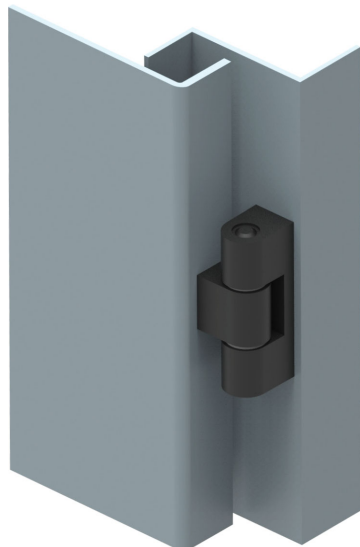
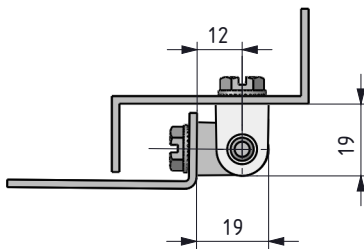
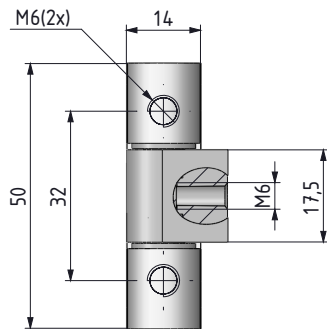
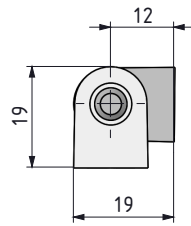
693

SIDE HINGE



- Side-mounted hinge
- Stainless steel hinge pin
- Supplied assembled

MATERIAL
Zamak DIN-EN 1774-ZnAl4Cu1
PIN: Stainless Steel



MATERIAL	M	FINISH	F
Zamak	1	Chrome plated	1
		Black coated	2

Group Code	Material	Finish
693	1	F

Hinge Rotation Angle

