



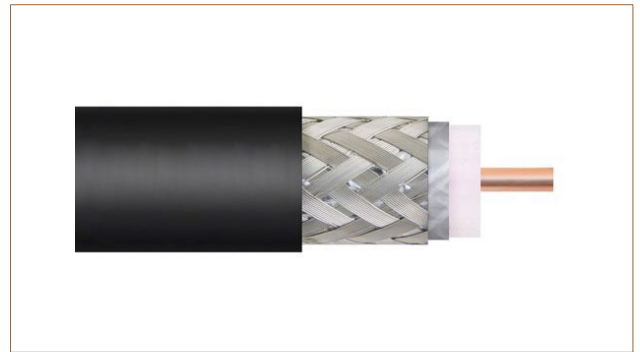
## LMR-400 75 Ohm Equivalent Low Loss Flexible Coax Cable Black PE Jacket

Stock No.: 9212717B0041

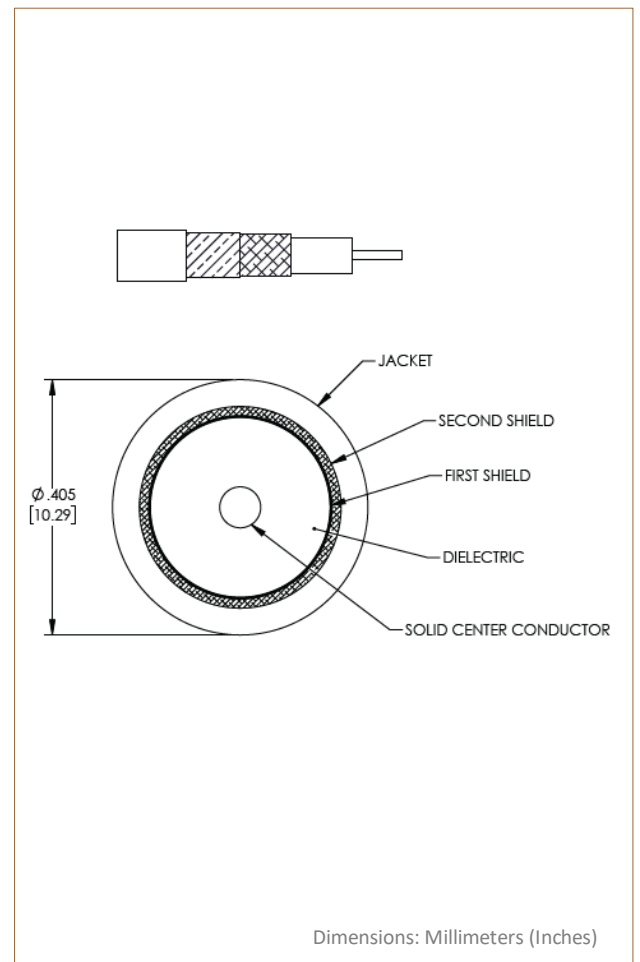
### FEATURES

- 75 Ohms
- LMR-400 Equivalent
- Solid

### General Specifications



Attribute	Value
Flex Type	Flexible
Impedance	75 Ohm
Dielectric Type	PE (F)
Velocity of Propagation	85 %
Jacket Diameter	0.405 in
Jacket Material	PE
No. of Shields	2
RF Shielding	90 dB
Frequency, Max	2.5 GHz
Max Operating Temperature	85 deg C
Center Conductor Type	Solid
Inner Conductor, Number of Strands	1
Minimum Bend Radius, One Time	1 in
Minimum Bend Radius, Repeated	4 in



Important Notice: This data sheet and its contents (the "Information") belong to the members of the EASE group of companies (the "Group") or are licensed to it. No license is granted for the use of it other than for information purposes in connection with the products to which it relates. No license of any intellectual property rights is granted. The Information is subject to change without notice and replaces all data sheets previously supplied. The Information supplied is believed to be accurate, but the Group assumes no responsibility for its accuracy or completeness, any error in or omission from it or for any use made of it. Users of this data sheet should check for themselves the Information and the suitability of the products for their purpose and not make any assumptions based on information included or omitted. Liability for loss or damage resulting from any reliance on the Information or use of it (including liability resulting from negligence or where the Group was aware of the possibility of such loss or damage arising) is excluded. This will not operate to limit or restrict the Group's liability for death or personal injury resulting from its negligence. EASE is the registered trademark of Ease Electronics Co., Limited 2019.