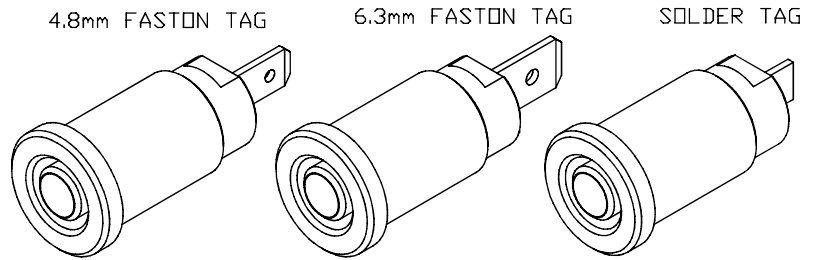
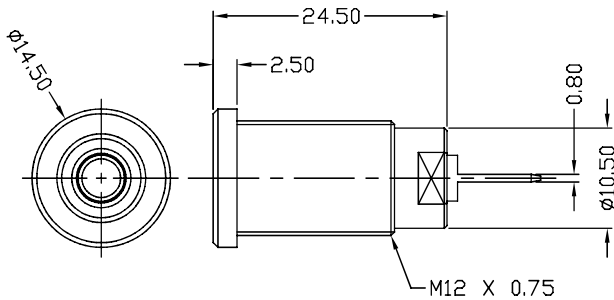


# CLIFF

## 4mm PANEL SOCKET S16N



**FCR73575B**  
S16N/4.8 BLK WNW



**FCR73575G**  
S16N/4.8 GRN WNW



**FCR7356B**  
S16N/6.3 BLK WNW

**FCR7356G**  
S16N/6.3 GRN WNW



**FCR73575R**  
S16N/4.8 RED WNW



**FCR73575Y**  
S16N/4.8 YEL WNW

**FCR7356R**  
S16N/6.3 RED WNW

**FCR7356Y**  
S16N/6.3 YEL WNW



**FCR7357B**  
S16N BLACK WNW  
SOLDER TAG VERSION



**FCR7357G**  
S16N GREEN WNW  
SOLDER TAG VERSION



**FCR7357L**  
S16N BLUE WNW  
SOLDER TAG VERSION



**FCR7357R**  
S16N RED WNW  
SOLDER TAG VERSION



**FCR7357Y**  
S16N YELLOW WNW  
SOLDER TAG VERSION

Shrouded, 4mm, nickel or tin plated socket. Mates with shrouded or unshrouded plugs.  
Rated 1000V, CAT III. 24A for 4.8mm Faston and Solder tag  
32A for 6.3mm Faston  
Supplied with M12 slotted ring nut and washer.