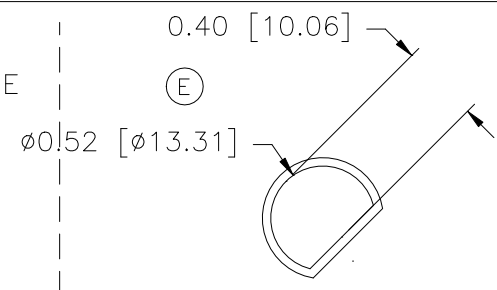
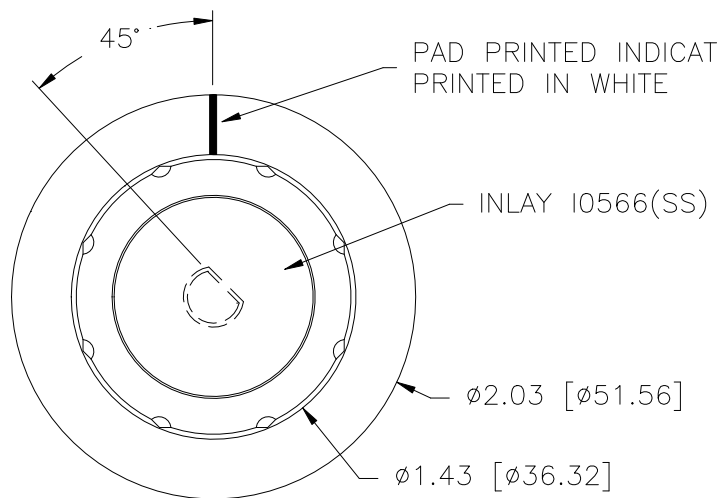
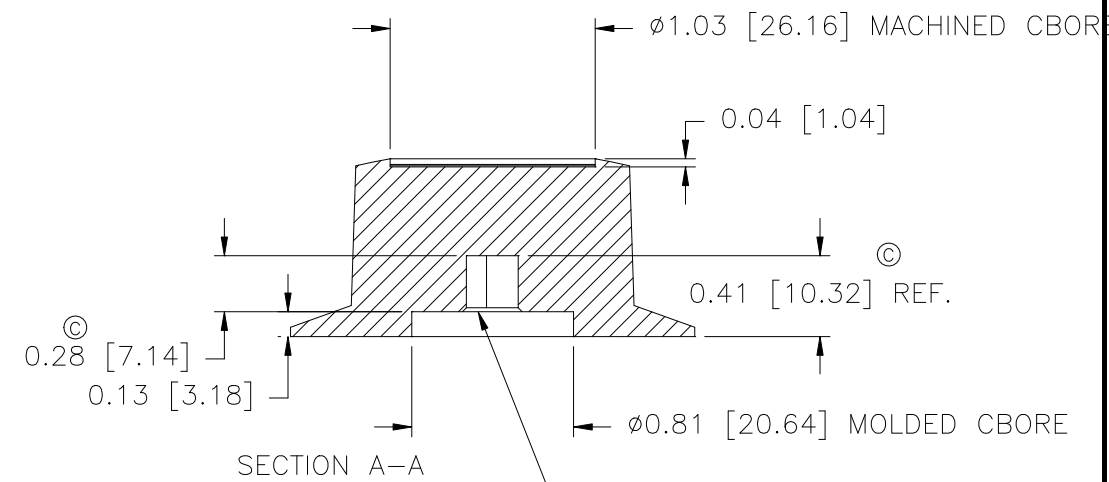
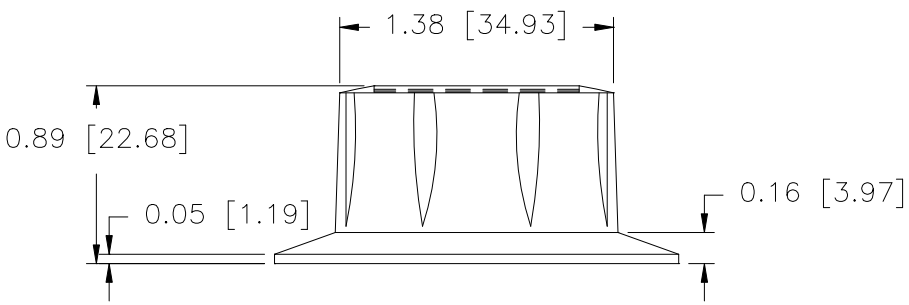


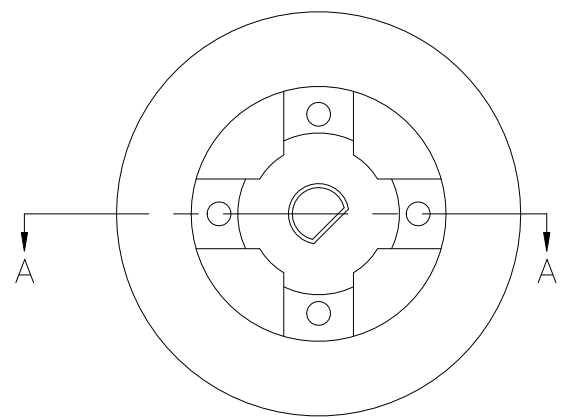
CAVITY	1940
PLUNGER	1940
OUTER PIN	1940-A
INNER PIN	1940CA
INLAY	10566-SS
SPRING	I2264



MOLDED HOLE DETAIL  
 SCALE 2:1



$\phi 6\text{MM}$  (0.24) FLATTED TO 0.180 "D" SHAPED HOLE TO ACCOMODATE SPRING I2264 (LECTRA SPRING 6610)



(F)  
 MATERIAL: 04311 PHENOLIC (B41)  
 COLOR: BLACK

F	WAS #2511 PHENOLIC (B11)	JAM	7/16/08
E	UPDATED PIN DETAIL HOLE	TS	1/28/03
D	WAS SPRING I2206	JAM	1/7/03
-	EXCLUDED FROM BASE PARTS	JAM	1/6/03
C	WAS 0.50 & ADDED 0.28 (B)	TS	12/5/02
B	WAS 0.69 (A)	TS	10/12/01
A	MODIFIED HOLE DEPTH TO MATCH PART	JAM	10/1/01
-	WAS SK1940-07	JAM	3/2/01

TOLERANCES: UNLESS OTHERWISE SPECIFIED	DO NOT SCALE DRAWING
DECIMALS: X.XXX $\pm$ .005 X.XX $\pm$ .015	MM: X.XX $\pm$ 0.15MM X.X $\pm$ 0.4MM
FRACTIONS $\pm$ 1/64	ANG. $\pm$ 1°

CHANGES