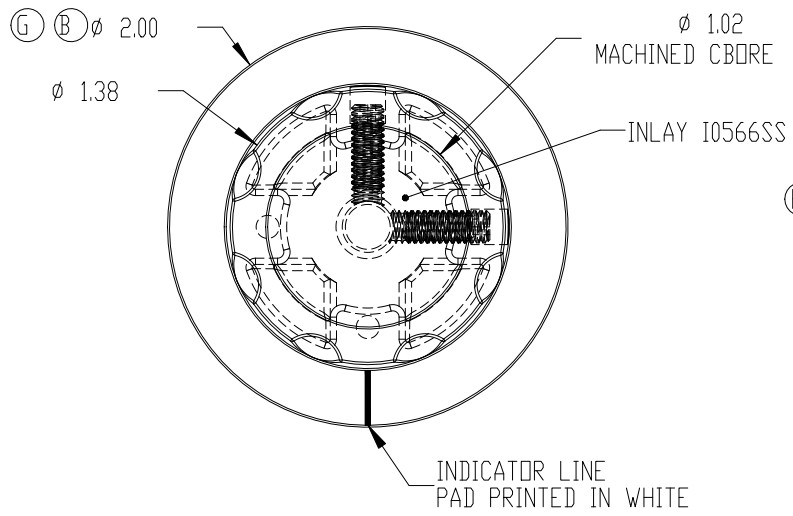
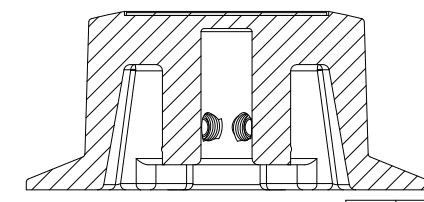
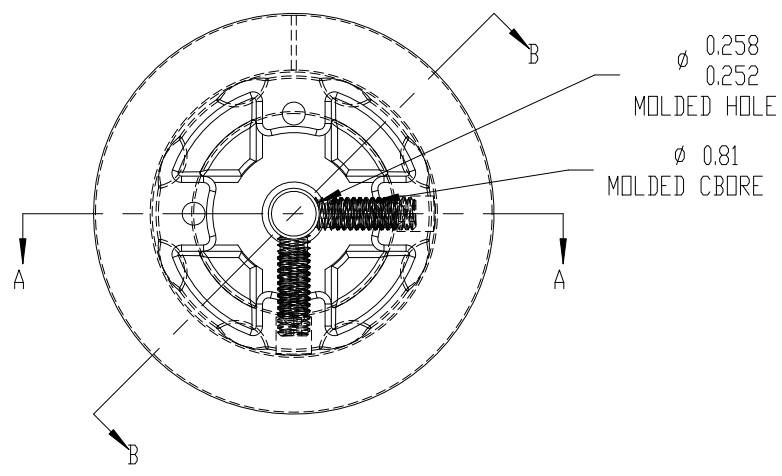
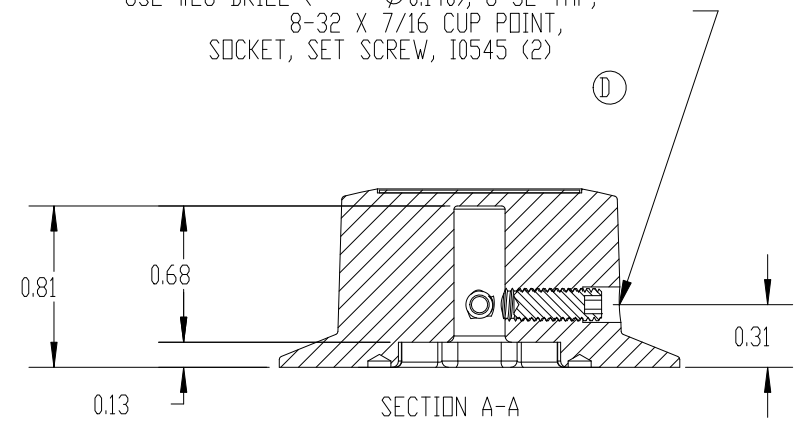
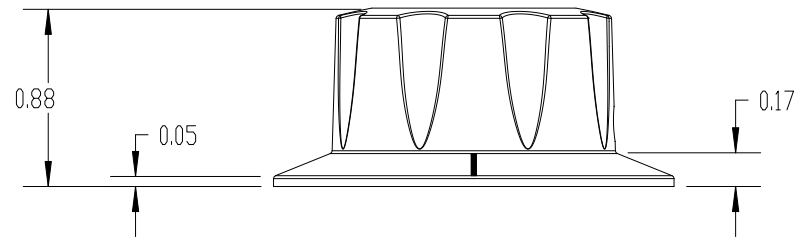


P/N	1940BE
BASE PART	1940-01
INLAY	I0566SS
SET SCREW	I0545



ⓔ PACK IN EGG CRATE CONTAINERS

(F) \llcorner ø 0.177 ∇ 3/16 (#16 DRILL)
 USE #28 DRILL (\varnothing 0.140), 8-32 TAP,
 8-32 X 7/16 CUP POINT,
 SOCKET, SET SCREW, I0545 (2)



(H) MATERIAL: 04311 PHENOLIC (B41)
 COLOR: BLACK

H	WAS 02511 PHENOLIC (B11)	JAM	7/16/08
G	WAS ø 2.03, REDRAW	JAM	2/6/08
F	WAS \llcorner ø 3/16	DS	3/8/07
E	ADD PACKING INFORMATION	DD	4/7/05
D	WAS 10022	TS	5/31/01
-	UPDATED/ HAD TOOL BOX	ST	12/5/00
C	WAS 10454	ST	12/5/00
-	CLEANED DRAWING	JAM	10/23/00
B	WAS ø 2.00	TL	9/24/99
A	WAS 10022	TS	9/24/98

TOLERANCES: UNLESS OTHERWISE SPECIFIED	DO NOT SCALE DRAWING
DECIMALS: X.XXX ± .005 X.XX ± .015	MM: X.XX ± 0.15MM X.X ± 0.4MM
FRACTIONS ± 1/64	ANG. ± 1°

CHANGES