

MINITEK® ACTIVE LATCH HOUSING FOR WIRE-TO-BOARD CONNECTIONS

OVERVIEW

Minitek® is FCI's brand for board to board and cable/wire to board connectors in 2.00mm (0.079µin.) pitch. It is fully modular system enabling all types of connections between PCBs, wires and flat cables. Its 2mm spacing allows up to 38% space saving compared to traditional modular systems.

FCI is the leading supplier of this type of modular system and continues to grow and expand it. We are now adding a new active latch housing for wire-to-board applications.

The latch ensures a secure mechanical connection in applications with high extraction forces or vibration. Unlike other systems on the market, the active latch housing mates with the standard headers from the Minitek® system. This ensures full modularity and interchangeability throughout the system.

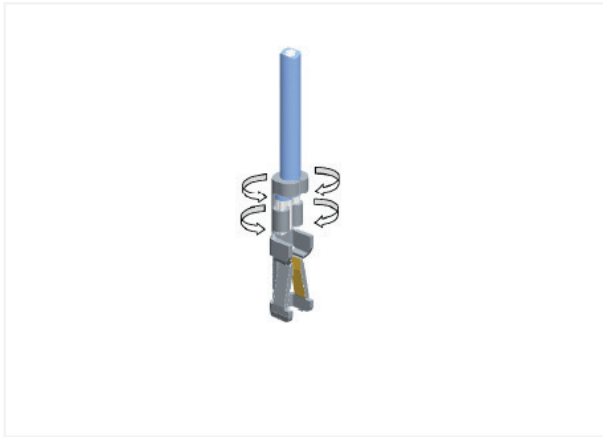
The active latch housing is made with high temperature black plastic material which is able to withstand temperature up to 125°C. It is available in 15 versions from 2 x 3 to 2 x 25 positions.



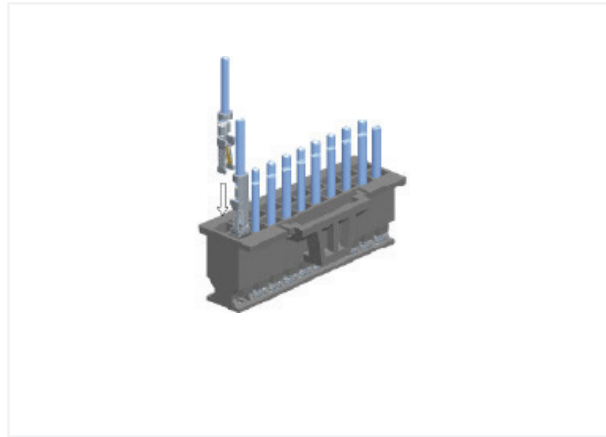
 **MINITEK® ACTIVE LATCH HOUSING
FOR WIRE-TO-BOARD CONNECTIONS**



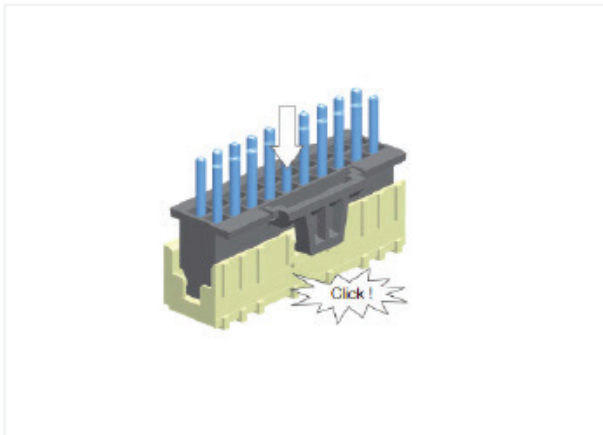
APPLICATION



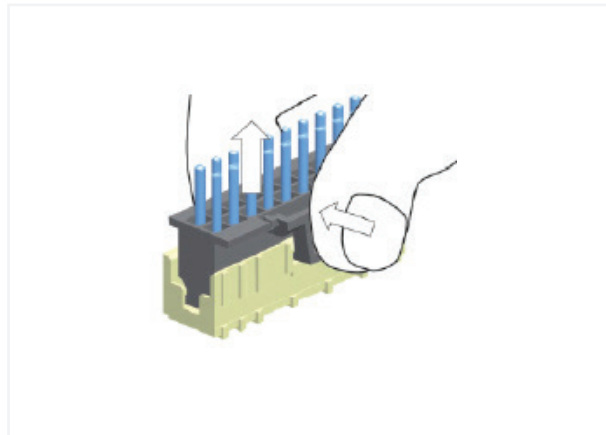
Crimp the terminal onto the wire.



Insert the terminals into the active latch housing.



Mate the active latch housing with the headers. It locks with a click.



Unmating can be effected by pressing the latch and removing the housing from the header.

MINITEK® ACTIVE LATCH HOUSING FOR WIRE-TO-BOARD CONNECTIONS

TECHNICAL INFORMATION

MATERIALS

- Housing: Polyamide
- Colour: Black
- Flammability rating: UL94V-0

ELECTRICAL PERFORMANCE

- Insulation resistance: 1000MΩ min
- Dielectric withstanding voltage: 500V

ENVIRONMENTAL

- Operating temperature range: -55°C to +125°C



MECHANICAL PERFORMANCE

- Latching retention force 15 N min. (for 2x3 & 2x4)
- Latching retention force 25 N min. (for 2x5 & 2x25)

RoHS INFORMATION

- This product is RoHS compliant according to the European Union Directive 2002/95/IEC

SPECIFICATIONS

-  File no. E66906
-  File no. LR46923
- Product drawing: By 8-digit base part number
- Product specification: GS-12-415

PART NUMBERS

10073599 - 0 TOTAL POSITIONS LF

06, 08, 10, 12, 14, 16, 18, 20, 24, 26, 30, 34, 40, 44, 48, 50

| Description | Part Numbers |
|------------------------|--------------|
| Shrouded headers | 98414 |
| Shrouded headers | 98424 |
| Shrouded headers | 10075025 |
| Crimp to wire contacts | 77138 |