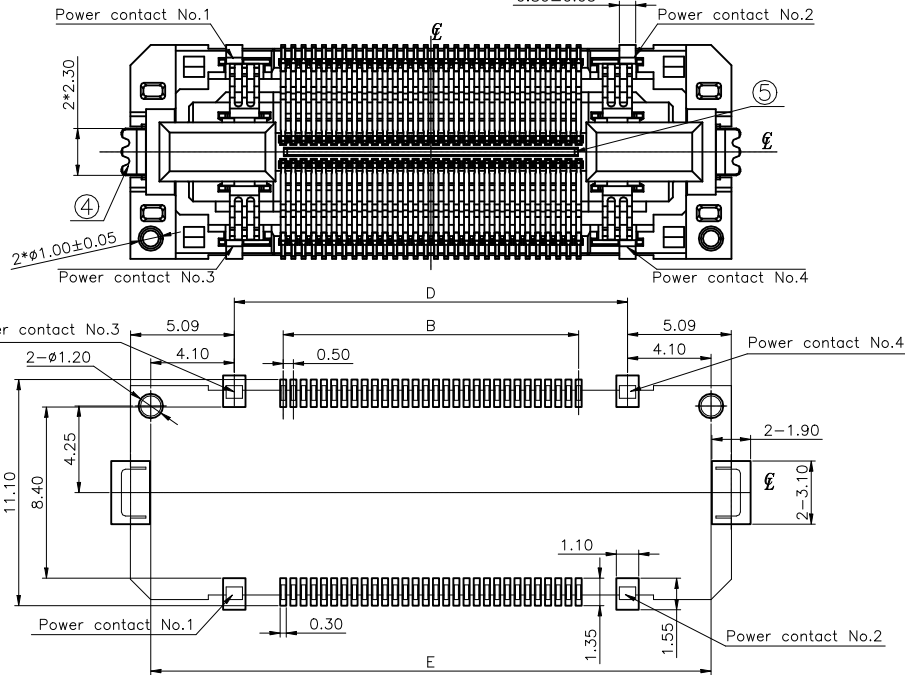
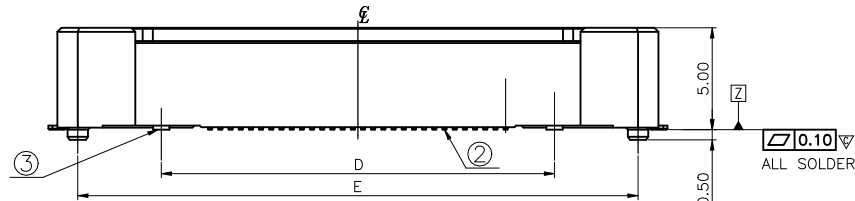
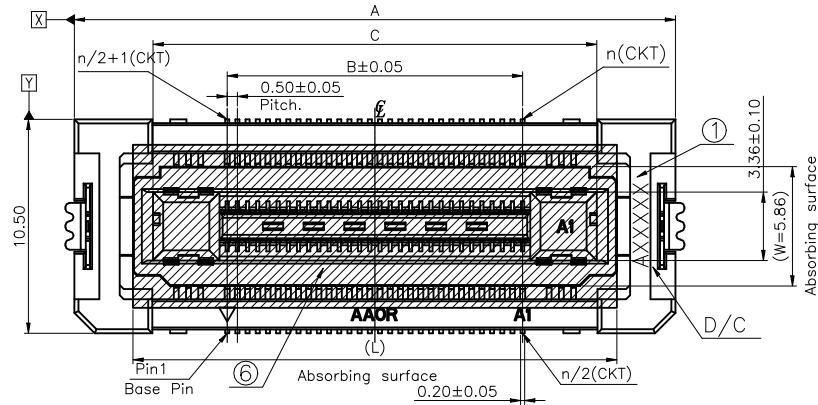


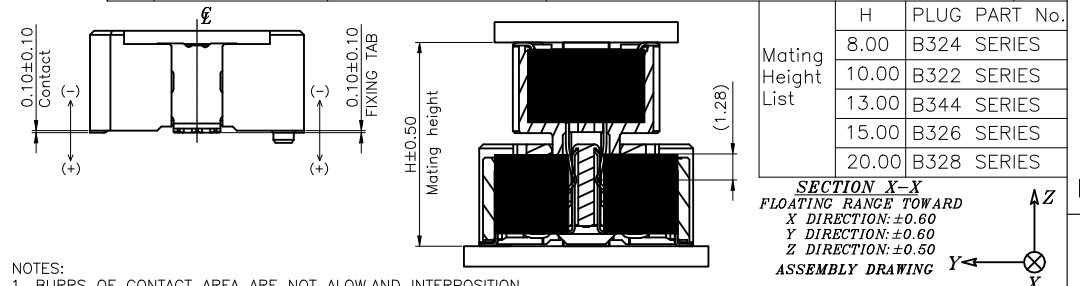
Halogen free



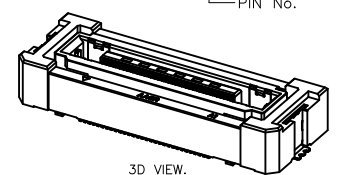
RECOMMENDED PCB SIZE(TOP SIDE)  
GENERAL TOLERANCE:±0.05

REV.	ECR/ECN No.	DESCRIPTION	DRAWN/DATE	CHECKED/DATE	APPROVED/DATE
G	/	Add mating height of SH13.0	SH Chen 2022-10-19	May 2022-10-19	Rain 2022-10-19
H	/	Add PIN No.	SH Chen 2023-10-23	Elven 2023-10-23	Rain 2023-10-23

NO.	COMPONENTS	MATERIALS	SPECIFICATION:FINISH/COLOR	QTY.
1	HOUSING	GLASS FILLED LCP, UL94V-0	BLACK	1
2	SIGNAL CONTACT	COPPER ALLOY T=0.12mm	ALL OVER Ni UNDER PLATING:40u''~120u'' CONTACT AREA: Au 4u'' MIN. SOLDER AREA: Au 2u''Min.	N
3	POWER CONTACT	COPPER ALLOY T=0.20mm	ALL OVER Ni UNDER PLATING:40u''~120u'' CONTACT AREA: Au 4u'' MIN. SOLDER AREA: Au 2u''Min.	4
4	FIXING TAP	COPPER ALLOY T=0.30mm	ALL OVER Ni UNDER PLATING:40u''~120u'' SOLDER AREA: Au 2u''Min.	2
5	GROUND BAR	SUS T=0.30mm	N/A	1
6	MYLAR	THERMOSTABLE T=0.10mm	YELLOW	1



- NOTES:
- BURRS OF CONTACT AREA ARE NOT ALLOWED AND INTERPOSITION AREA SHOULD BE 0.03MM MAX.
  - "▽" MARK IS CRITICAL CHARACTERISTIC DIMENSION.
  - ALL MATERIAL MUST BE COMPLY RoHS.
  - D/C:AXXXXX
- Aorora — SHIFT  
YEAR — LINE  
MONTH — DAY
- PLUG PART NO.: SEE MATING HEIGHT LIST
  - RECE. PART NO.: B329-1B7L1-112\*\*-E100



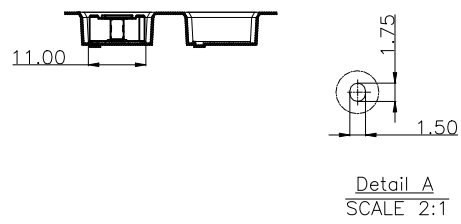
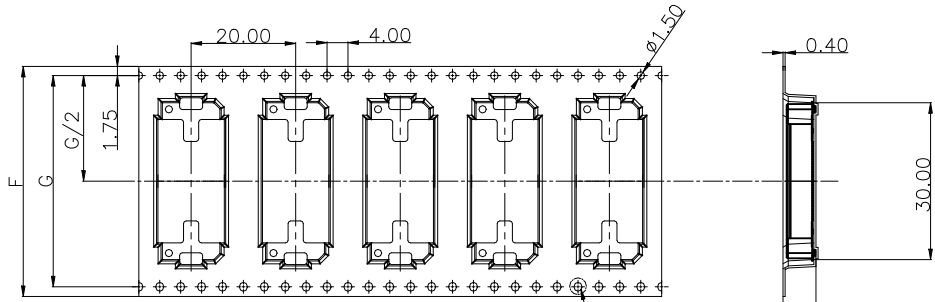
DIMENSION LIST:

NO. OF POS.	A	B	C	D	E	L
10	17.00	2.00	6.78	6.80	15.00	11.25
20	19.50	4.50	11.78	9.30	17.50	13.75
30	22.00	7.00	14.28	11.80	20.00	16.25
40	24.50	9.50	16.78	14.30	22.50	18.75
50	27.00	12.00	19.28	16.80	25.00	21.25
60	29.50	14.50	21.78	19.30	27.50	23.75
70	32.00	17.00	24.28	21.80	30.00	26.25
80	34.50	19.50	26.78	24.30	32.50	28.75
90	37.00	22.00	29.28	26.80	35.00	31.25
A0(100)	39.50	24.50	31.78	29.30	37.50	33.75
B0(120)	44.50	29.50	36.78	34.30	42.50	38.75

UNLESS OTHERWISE SPECIFIED TOLERANCES		ANGLE OF PROJECTION		Customer Drw	TITLE: 0.5mm Pitch Floating BTB Rec. connector
X.	±0.30	X.	± 5'		
X.X	±0.25	X.X	± 4'		
X.XX	±0.20	X.XX	± 3'		
X.XXX	±0.15	X.XXX	± 2'		
LINEAR DIMS		ANGLES DIMS		DOCTYP	
DWG NO.:	A-S0676	DRAWN	SH Chen	DATE	2023-10-23
MATERIAL	SEE NOTES	DESIGN	SH Chen	DATE	2023-10-23
FINISHED	SEE NOTES	CHECKED	Elven	DATE	2023-10-23
		APPROVED	Rain	DATE	2023-10-23
		SIZE	A4	PART NUMBER:	B329-1B7L1-112**-E100
		SCALE	4:1	UNIT :	mm
		SHEET	1	OF	2

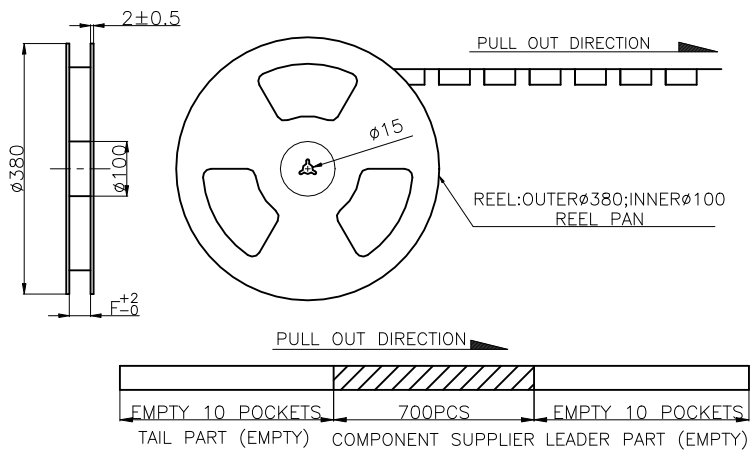
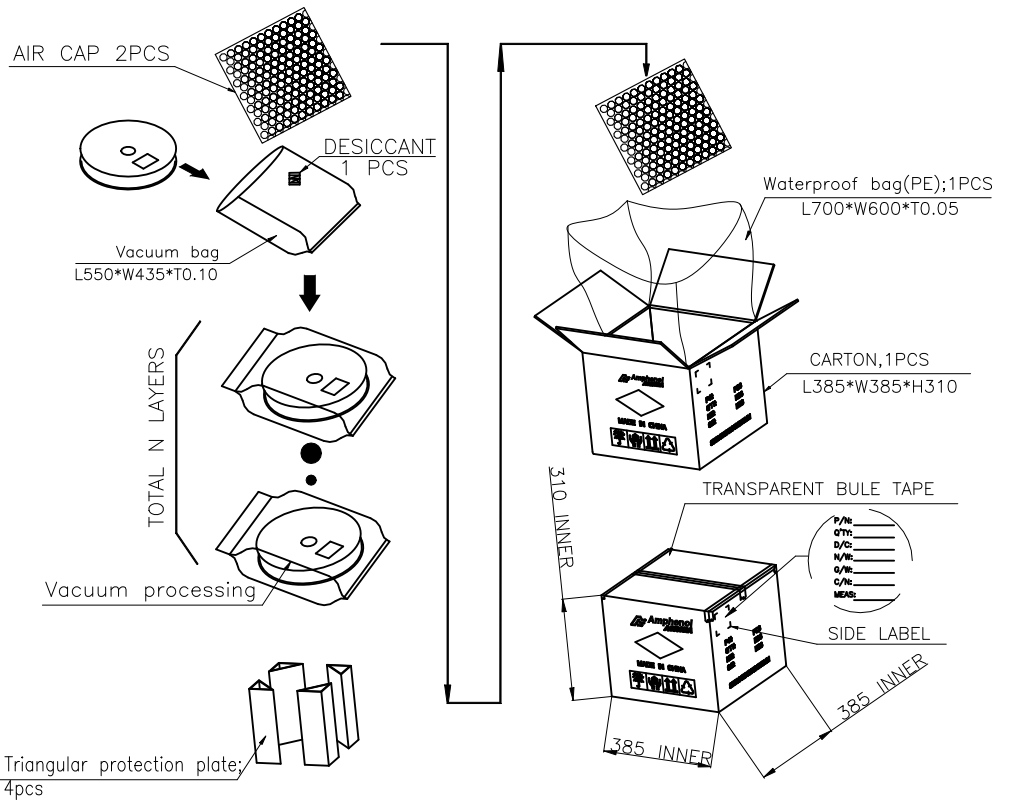
This document is the property of and embodies CONFIDENTIAL and PROPRIETARY information of AORORA. No part of the information shown on this document may be used in any way or disclosed to others without the written consent of AORORA. © 2019 AORORA

PULL OUT DIRECTION



5. QTY LIST:

DIM NO.	10pin	20~60pin	70~100pin	120pin
F	32.00	44.00	56.00	72.00
G	25.50	40.40	52.40	68.40
N	8	6	5	4
TOTAL(PCS)	5600	4200	3500	2800



- NOTES:
- MATERIAL:
    - CARRY TAPE: HIPS, T=0.50mm, CLEAR
    - REEL: HIPS, BLUE.
    - SHIM: PE, CLEAR.
  - PRIMARY PACKING: 700PCS/REEL.
  - SECONDARY PACKING: "N" REELS/CARTON ("TOTAL"=N\*700/CARTON).
  - PEELING RESISTANCE: 0.4N~1.4N(40~140gf);  
PEELING ANGLE: 165°~180°;  
PEELING SPEED: 300mm/minutes.

UNLESS OTHERWISE SPECIFIED TOLERANCES			ANGLE OF PROJECTION		Amphenol AORORA	
X.	±0.30	X. *	± 5'			Amphenol Aorora Technology (Huizhou) Co.,Ltd TITLE: 0.5mm Pitch Floating BTB Rec. connector
X.X	±0.25	X.X *	± 4'			
X.XX	±0.20	X.XX *	± 3'	DOC TYP Customer Drw		SIZE PART NUMBER: B329-1B7L1-112**-E100 SCALE 1:1 UNIT: mm SHEET 2 OF 2
X.XXX	±0.15	X.XXX *	± 2'	DRAWN DATE SH Chen 2023-10-23	REV. H	
LINEAR DIMS		ANGLES DIMS		DESIGN DATE SH Chen 2023-10-23	PART NUMBER: B329-1B7L1-112**-E100	
DWG NO.: A-S0676			CHECKED DATE Elven 2023-10-23		REVISION	
MATERIAL SEE NOTES		APPROVED DATE Rain 2023-10-23		SCALE 1:1 UNIT: mm SHEET 2 OF 2		
FINISHED SEE NOTES						

This document is the property of and embodies CONFIDENTIAL and PROPRIETARY information of AOR. No part of the information shown on this document may be used in any way or disclosed to others without the written consent of AOR. © 2019 AOR