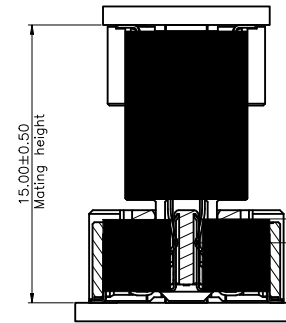
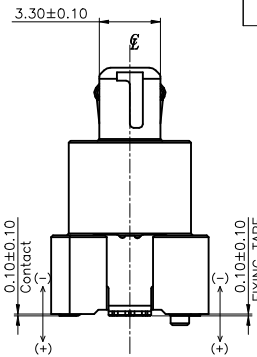
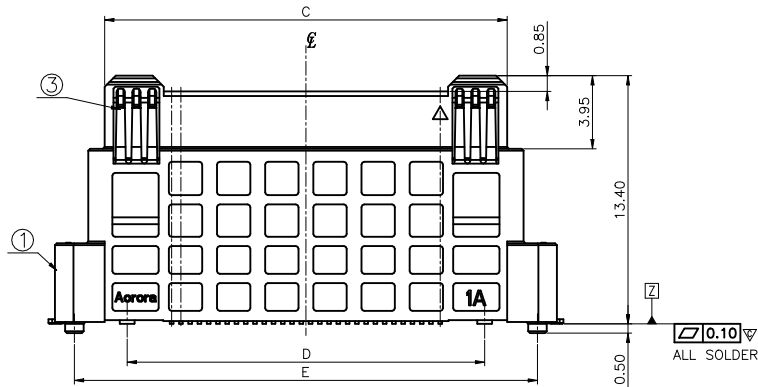
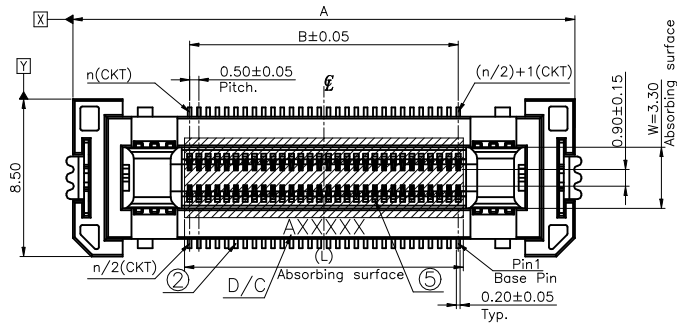
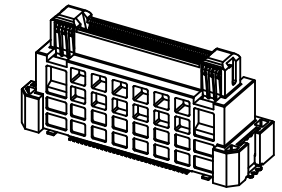


Halogen free

SHOW AS 60PIN



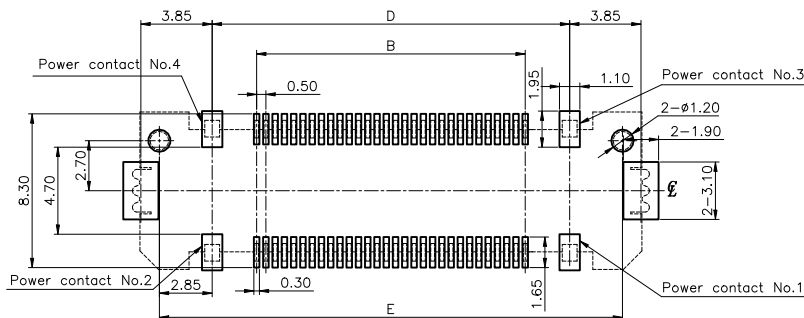
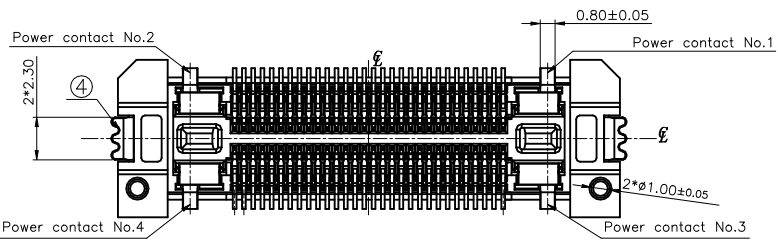
SECTION X-X
 FLOATING RANGE TOWARD X
 X DIRECTION: ±0.60
 Y DIRECTION: ±0.60
 Z DIRECTION: ±0.50
 ASSEMBLY DRAWING



3D VIEW.

REV.	ECR/ECN No.	DESCRIPTION	DRAWN/DATE	CHECKED/DATE	APPROVED/DATE
A	/	New Release	SH Chen 2022-09-01	May 2022-09-01	Rain 2022-09-01
B	/	Add Pin No.	SH Chen 2023-10-23	Elven 2023-10-23	Rain 2023-10-23

NO.	COMPONENTS	MATERIALS	SPECIFICATION:FINISH/COLOR	QTY.
1	HOUSING	GLASS FILLED LCP, UL94V-0	BLACK	1
2	SIGNAL CONTACT	COPPER ALLOY T=0.15mm	ALL OVER Ni UNDER PLATING:40u''~120u'' CONTACT AREA: Au 4u'' MIN. SOLDER AREA: Au 2u''~6u''	N
3	POWER CONTACT	COPPER ALLOY T=0.20mm	ALL OVER Ni UNDER PLATING:40u''~120u'' CONTACT AREA: Au 4u'' MIN. SOLDER AREA: Au 2u''~6u''	4
4	FIXING TAP	COPPER ALLOY T=0.25mm	ALL OVER Ni UNDER PLATING:40u''~120u'' SOLDER AREA: Au 2u''~6u''	2
5	MYLAR	THERMOSTABLE T=0.10mm	YELLOW	1



RECOMMENDED PCB SIZE(TOP SIDE)
 GENERAL TOLERANCE:±0.05

- NOTES:
 1. BURRS OF CONTACT AREA ARE NOT ALLOWED AND INTERPOSITION AREA SHOULD BE 0.03MM MAX.
 2. "∇" MARK IS CRITICAL CHARACTERISTIC DIMENSION.
 3. ALL MATERIAL MUST BE COMPLY RoHS.
 4. D/C:AXXXX
 Aorora—SHIFT
 YEAR—LINE
 MONTH—DAY
 5. RECE. PART NO.:B329-1B7L1-112**-E100 SERIES
 6. PLUG PART NO.: B326-1B7L1-112**-E100

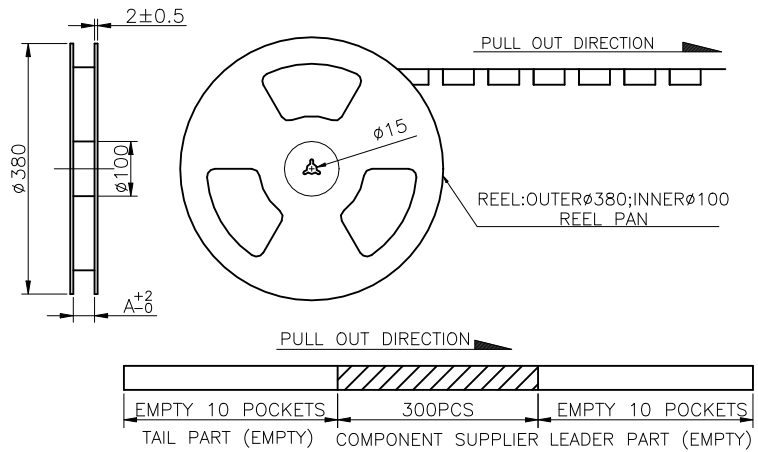
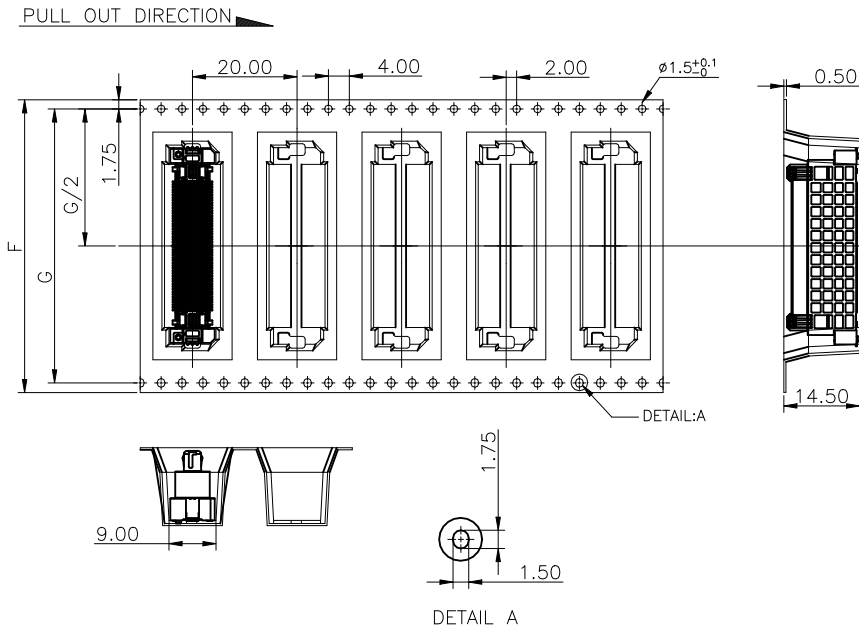
DIMENSION LIST:

PIN No.	A	B	C	D	E	L
10	14.60	2.00	9.23	6.80	12.50	2.55
20	17.10	4.50	11.73	9.30	15.00	5.05
30	19.60	7.00	14.23	11.80	17.50	7.55
40	22.10	9.50	16.73	14.30	20.00	10.05
50	24.60	12.00	19.23	16.80	22.50	12.55
60	27.10	14.50	21.73	19.30	25.00	15.05
70	29.60	17.00	24.23	21.80	27.50	17.55
80	32.10	19.50	26.73	24.30	30.00	20.05
90	34.60	22.00	29.23	26.80	32.50	22.55
A0(100)	37.10	24.50	31.73	29.30	35.00	25.05
B0(120)	42.10	29.50	36.73	34.30	40.00	30.05

UNLESS OTHERWISE SPECIFIED TOLERANCES	
X. ±0.30	X. * ± 5'
X.X ±0.25	X.X * ± 4'
X.XX ±0.20	X.XX * ± 3'
X.XXX ±0.15	X.XXX * ± 2'
LINEAR DIMS	ANGLES DIMS
DWG NO.: A-S0704	
MATERIAL	SEE NOTES
FINISHED	SEE NOTES

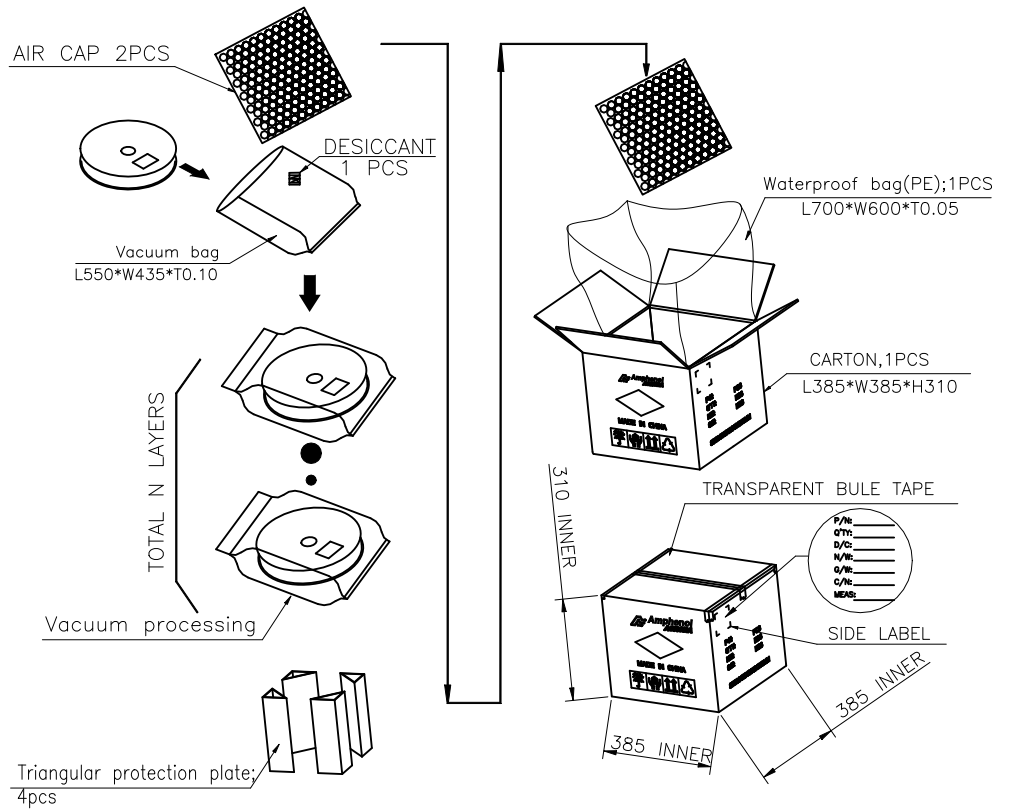
ANGLE OF PROJECTION	
DOC TYP	Customer Drw
DRAWN DATE	SH Chen 2023-10-23
DESIGN DATE	SH Chen 2023-10-23
CHECKED DATE	Elven 2023-10-23
APPROVED DATE	Rain 2023-10-23

Amphenol AORORA	
Amphenol Aorora Technology (Huizhou) Co.,Ltd	
TITLE: 0.5mm Pitch SH15 Floating BTB Plug Conn.	
SIZE	PART NUMBER: A4 B326-1B7L1-112**-E100
SCALE	4:1 UNIT : mm SHEET 1 OF 2
REV.	B



5. QTY LIST:

DIM	NO.	10pin	20~60pin	70~100pin	120pin
F		32.00	44.00	56.00	72.00
G		25.50	40.40	52.40	68.40
N		8	6	5	4
TOTAL(PCS)		2400	1800	1500	1200



- NOTES:
- MATERIAL:
 - CARRY TAPE:HIPS,T=0.50mm,CLEAR
 - REEL:HIPS,BLUE.
 - SHIM:PE,CLEAR.
 - PRIMARY PACKING:300PCS/REEL.
 - SECONDARY PACKING:"N"REELS/CARTON ("TOTAL"=N*300/CARTON).
 - PEELING RESISTANCE: 0.4N~1.4N(40~140gf);
PEELING ANGLE: 165°~180°;
PEELING SPEED: 300mm/minutes.

UNLESS OTHERWISE SPECIFIED TOLERANCES			ANGLE OF PROJECTION		 Amphenol Aorora Technology (Huizhou) Co.,Ltd
X.	± 0.30	X. *	$\pm 5'$		
X.X	± 0.25	X.X *	$\pm 4'$		
X.XX	± 0.20	X.XX *	$\pm 3'$	DOC TYP	Customer Drw
X.XXX	± 0.15	X.XXX *	$\pm 2'$	DRAWN DATE	SH Chen 2023-10-23
LINEAR DIMS		ANGLES DIMS		DESIGN DATE	SH Chen 2023-10-23
DWG NO.:	A-S0704			CHECKED DATE	Elven 2023-10-23
MATERIAL	SEE NOTES			APPROVED DATE	Rain 2023-10-23
FINISHED	SEE NOTES				
SIZE	A4	PART NUMBER:	B326-1B7L1-112**-E100		REV. B
SCALE	1:1	UNIT :	mm	SHEET	2 OF 2

This document is the property of and embodies CONFIDENTIAL and PROPRIETARY information of AOR. No part of the information shown on this document may be used in any way or disclosed to others without the written consent of AOR. © 2019 AOR

Amphenol AORORA