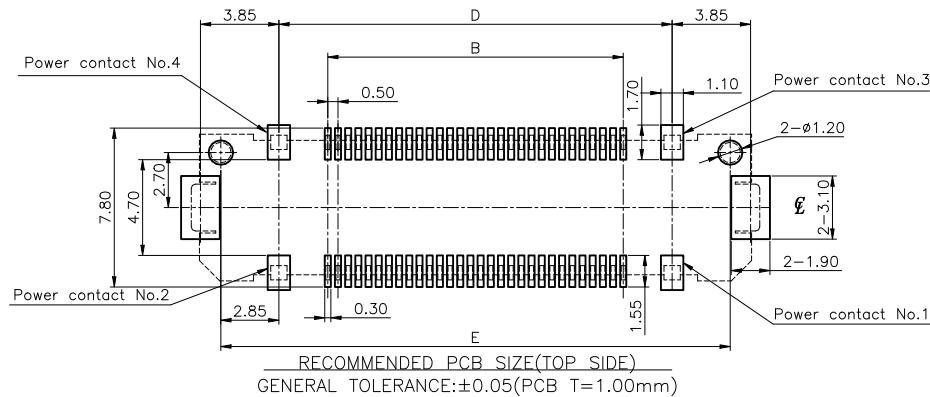
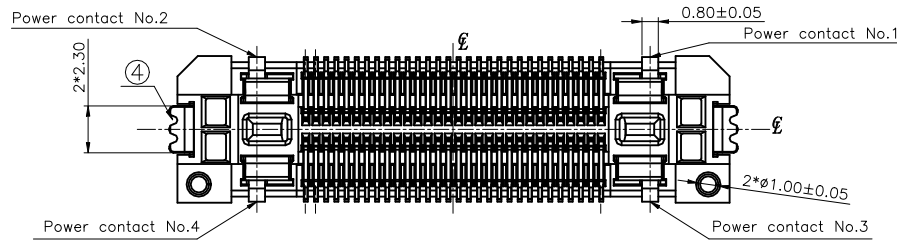
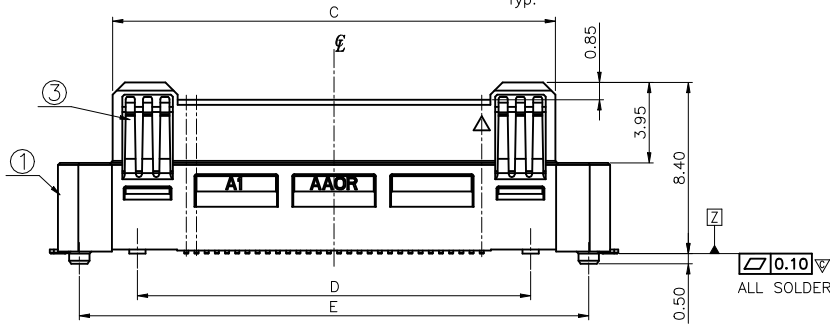
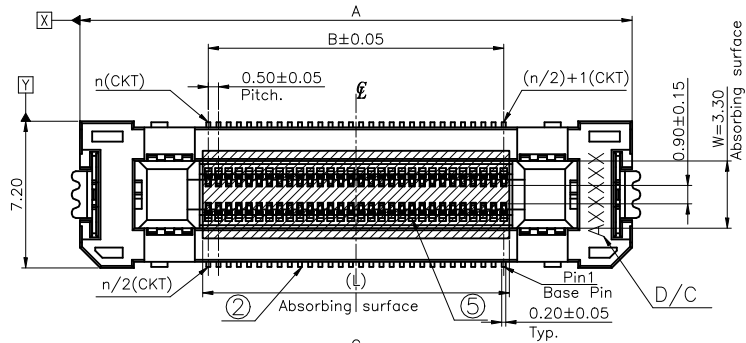
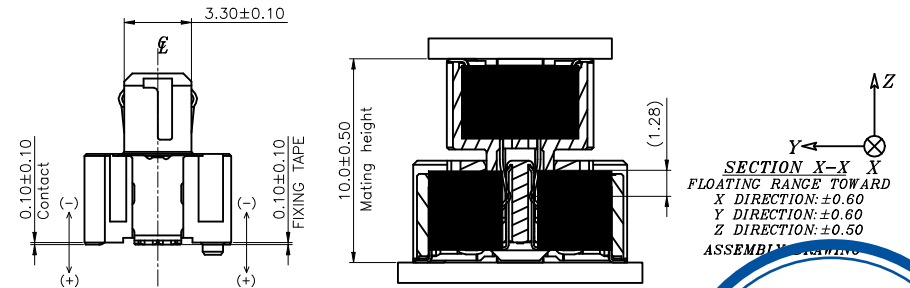


Halogen free



REV.	ECR/ECN No.	DESCRIPTION	DRAWN/DATE	CHECKED/DATE	APPROVED/DATE
C	/	Mylar changed to yellow	SH Chen 2021-10-09	May 2021-10-09	Rain 2021-10-09

NO.	COMPONENTS	MATERIALS	SPECIFICATION:FINISH/COLOR	QTY.
1	HOUSING	GLASS FILLED LCP, UL94V-0	BLACK	1
2	SIGNAL CONTACT	COPPER ALLOY T=0.15mm	ALL OVER Ni UNDER PLATING:40u"~120u" CONTACT AREA: Au 4u" MIN. SOLDER AREA: Au 2u"Min.	N
3	POWER CONTACT	COPPER ALLOY T=0.20mm	ALL OVER Ni UNDER PLATING:40u"~120u" CONTACT AREA: Au 4u" MIN. SOLDER AREA: Au 2u"Min.	4
4	FIXING TAP	COPPER ALLOY T=0.20mm	ALL OVER Ni UNDER PLATING:40u"~120u" SOLDER AREA: Au 2u"Min.	2
5	MYLAR	THERMOSTABLE	YELLOW	1

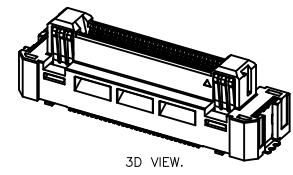


- NOTES:
 1. BURRS OF CONTACT AREA ARE NOT ALLOWED AND INTERPOSITION AREA SHOULD BE 0.03MM MAX.
 2. "▽" MARK IS CRITICAL CHARACTERISTIC DIMENSION.
 3. ALL MATERIAL MUST BE COMPLY RoHS.
 4. D/C:AXXXXX
 Aorora YEAR MONTH DAY SHIFT LINE DAY
 5. RECE. PART NO.:B329-1B7L1-112**-E100 SERIES
 6. PLUG PART NO.: B322-1B7L1-112**-E100



DIMENSION LIST:

PIN No.	A	B	C	D	E	L
20	17.10	4.50	11.73	9.30	15.00	5.05
40	22.10	9.50	16.73	14.30	20.00	10.05
60	27.10	14.50	21.73	19.30	25.00	15.05
80	32.10	19.50	26.73	24.30	30.00	20.05
A0(100)	37.10	24.50	31.73	29.30	35.00	25.05
B0(120)	42.10	29.50	36.73	34.30	40.00	30.05

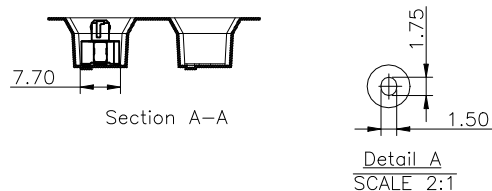
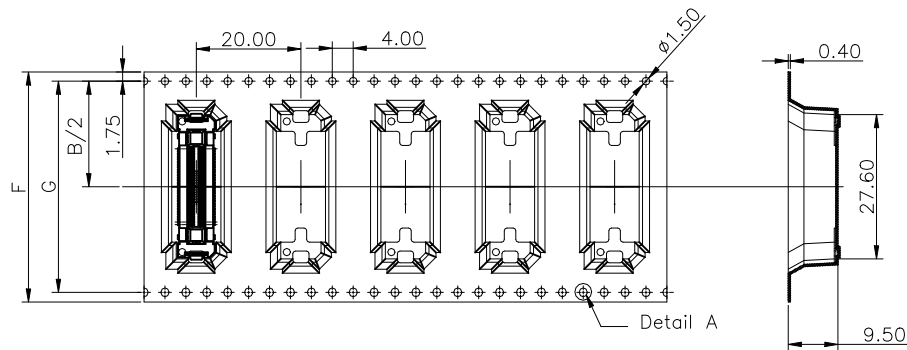


UNLESS OTHERWISE SPECIFIED TOLERANCES		ANGLE OF PROJECTION		 Amphenol Aorora Technology (Huizhou) Co.,Ltd
X.	±0.30	X. °	± 5'	
X.X	±0.25	X.X °	± 4'	DOC TYPE: Customer Drw TITLE: 0.5mm Pitch Floating BTB Plug connector
X.XX	±0.20	X.XX °	± 3'	
X.XXX	±0.15	X.XXX °	± 2'	DWG NO.: A-S0686 MATERIAL: SEE NOTES FINISHED: SEE NOTES
LINEAR DIMS		ANGLES DIMS		
DWG NO.:	A-S0686	DRAWN DATE:	SH Chen 2021-10-09	SIZE: A4 PART NUMBER: B322-1B7L1-112**-E100 REV. C
MATERIAL:	SEE NOTES	DESIGN DATE:	SH Chen 2021-10-09	
FINISHED:	SEE NOTES	CHECKED DATE:	May 2021-10-09	SCALE: 4:1 UNIT: mm SHEET 1 OF 2
		APPROVED DATE:	Rain 2021-10-09	

This document is the property of and embodies CONFIDENTIAL and PROPRIETARY information of AAOR. No part of the information shown on this document may be used in any way or disclosed to others without the written consent of AAOR. © 2019 AAOR

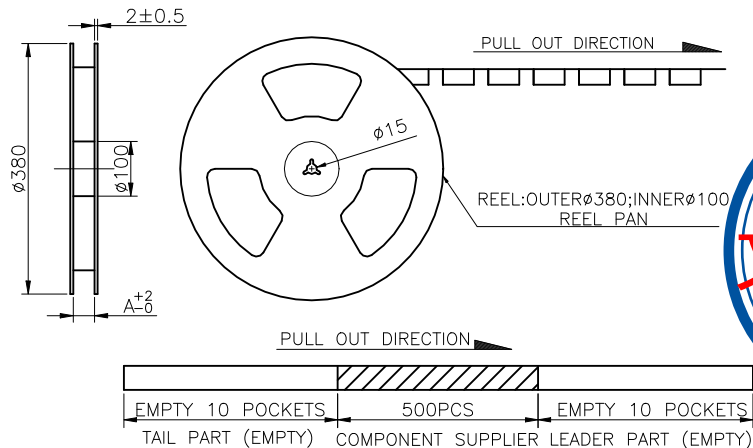
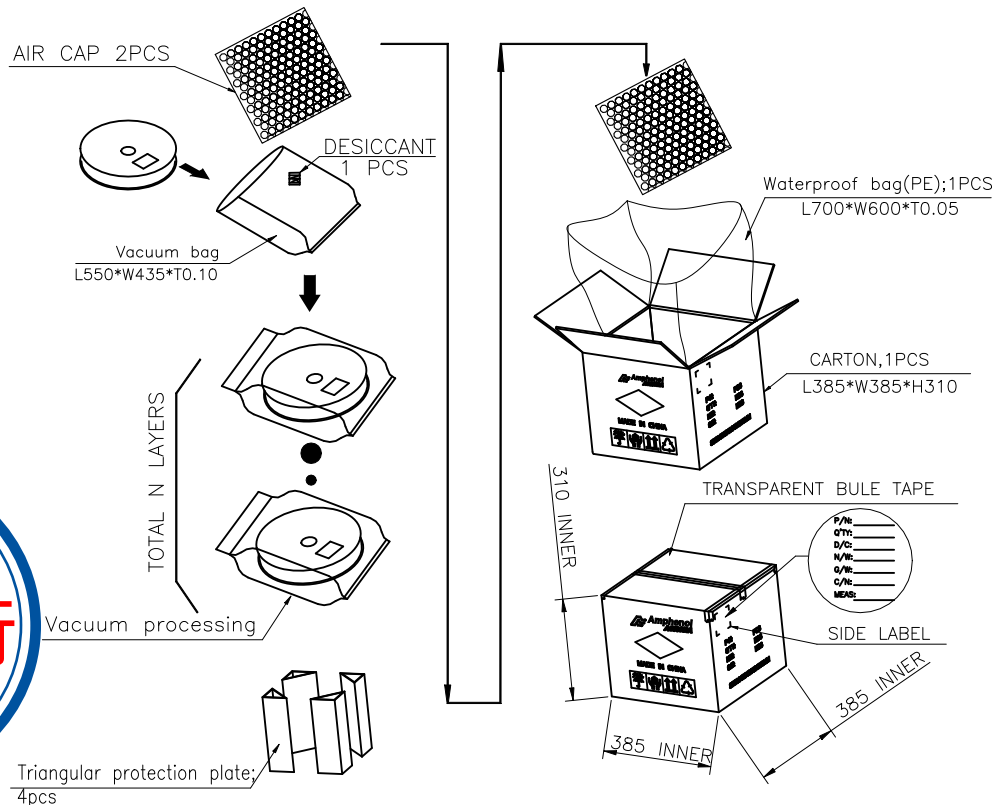


PULL OUT DIRECTION



5. QTY LIST:

DIM NO.	20pin	40pin	60pin	80pin	100pin	120pin
F	44.00	44.00	44.00	52.00	52.00	72.00
G	40.40	40.40	40.40	50.40	50.40	68.40
N	6	6	6	5	5	4
TOTAL(PCS)	3000	3000	3000	2500	2500	2000



NOTES:

- MATERIAL:
 - CARRY TAPE:HIPS,T=0.50mm,CLEAR
 - REEL:HIPS,BLUE.
 - SHIM:PE,CLEAR.
- PRIMARY PACKING:500PCS/REEL.
- SECONDARY PACKING:"N"REELS/CARTON ("TOTAL"=N*500/CARTON).
- PEELING RESISTANCE: 0.4N~1.4N(40~140gf);
PEELING ANGLE: 165°~180°;
PEELING SPEED: 300mm/minutes.

UNLESS OTHERWISE SPECIFIED TOLERANCES			ANGLE OF PROJECTION		Amphenol AORORA	
X.	±0.30	X. *	± 5'			Amphenol Aorora Technology (Huizhou) Co.,Ltd
X.X	±0.25	X.X *	± 4'			
X.XX	±0.20	X.XX *	± 3'	DOC TYP Customer Drw		TITLE: 0.5mm Pitch Floating BTB Plug connector
X.XXX	±0.15	X.XXX *	± 2'	DRAWN DATE SH Chen 2021-10-09	SIZE PART NUMBER: B322-1B7L1-112**-E100	
LINEAR DIMS	ANGLES DIMS		DESIGN DATE SH Chen 2021-10-09	CHECKED DATE May 2021-10-09	REV. C	
DWG NO.:	A-S0686		APPROVED DATE Rain 2021-10-09	SCALE 1:1 UNIT : mm SHEET 2 OF 2		
MATERIAL	SEE NOTES					
FINISHED	SEE NOTES					

This document is the property of and embodies CONFIDENTIAL and PROPRIETARY information of AAOR. No part of the information shown on this document may be used in any way or disclosed to others without the written consent of AAOR. © 2019 AAOR

Amphenol AORORA