

Customer Information Sheet

IF IN DOUBT - ASK

©

NOT TO SCALE

THIRD ANGLE PROJECTION

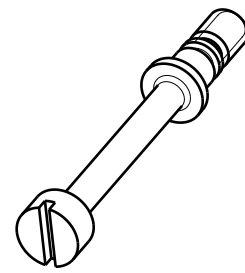
ALL DIMENSIONS IN mm

ORDER CODE:

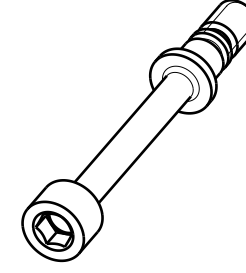
M80-9X4XX00

HARDWARE TYPE:
4 = SLOTTED HEAD
5 = HEX HEAD

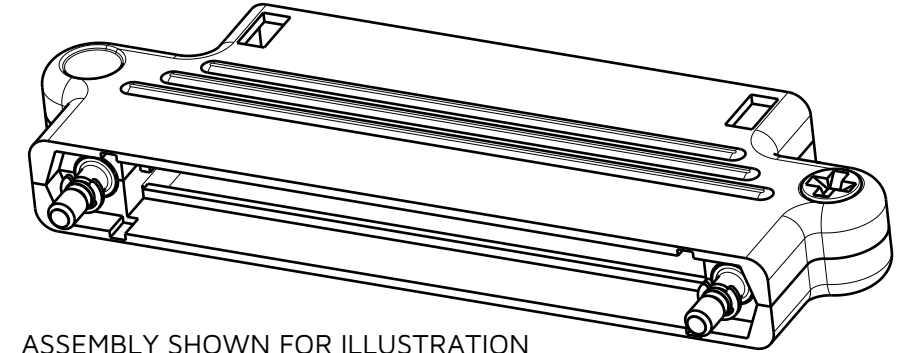
TOTAL No. OF CONTACTS:
06, 08, 10, 12, 14, 20, 26,
34, 42, 50.



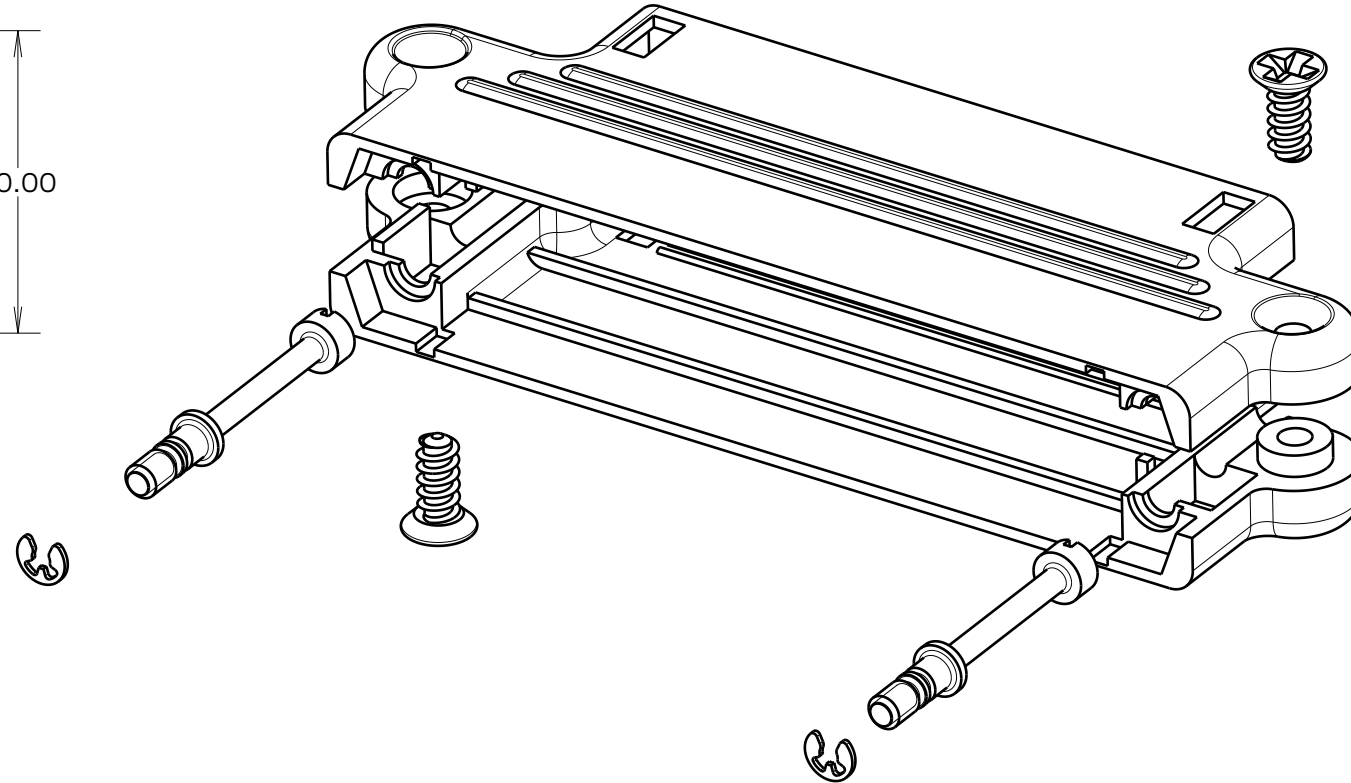
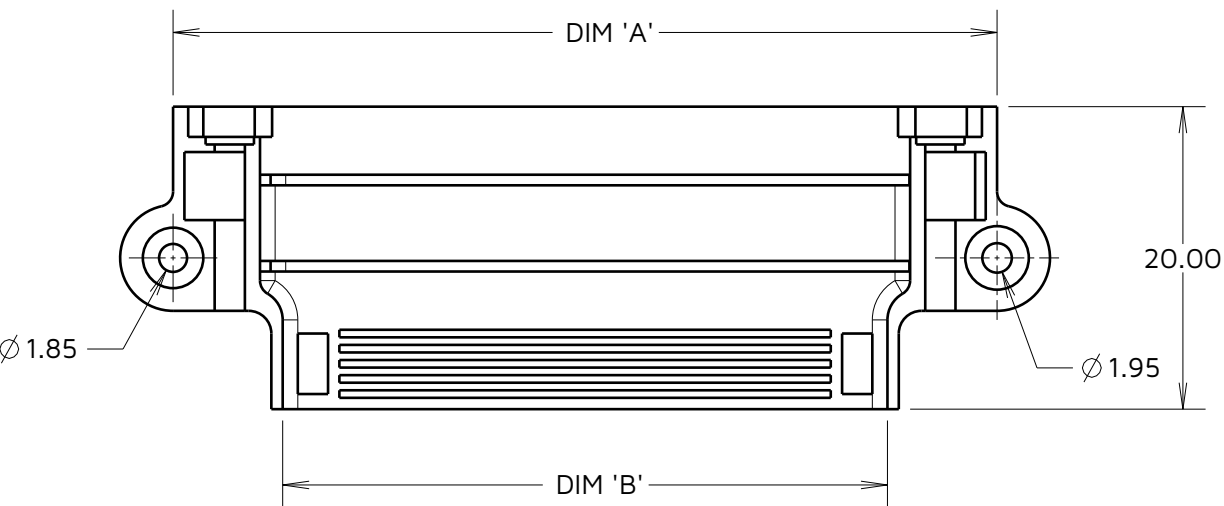
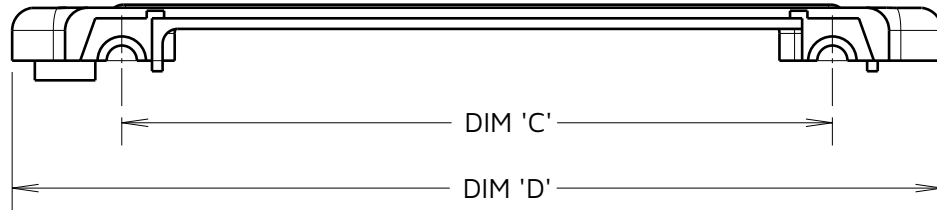
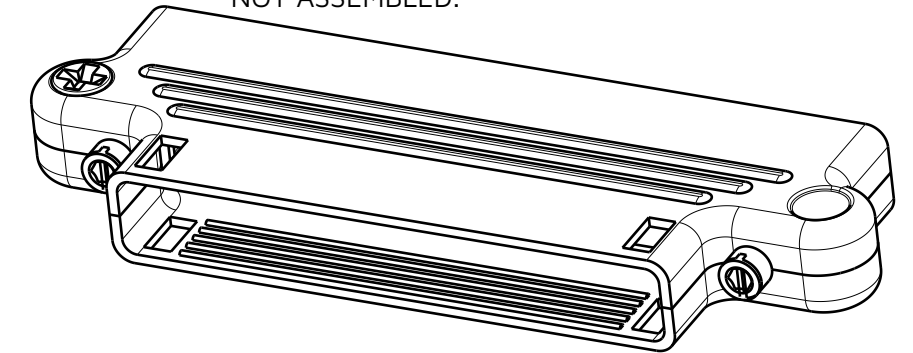
HARWARE OPTION
(ORDER CODE 4)
SLOTTED SCREW



HARWARE OPTION
(ORDER CODE 5)
HEX SCREW



ASSEMBLY SHOWN FOR ILLUSTRATION
PURPOSES ONLY. SUPPLIED AS KIT,
NOT ASSEMBLED.



VARIANT DIMENSIONS

PART NUMBER	DIM 'A'	DIM 'B'	DIM 'C'	DIM 'D'
M80-9X40600	18.5	4.0	11.0	25.5
M80-9X40800	20.5	6.0	13.0	27.5
M80-9X41000	22.5	8.0	15.0	29.5
M80-9X41200	24.5	10.0	17.0	31.5
M80-9X41400	26.5	12.0	19.0	33.5
M80-9X42000	32.5	18.0	25.0	39.5
M80-9X42600	38.5	24.0	31.0	45.5
M80-9X43400	46.5	32.0	39.0	53.5
M80-9X44200	54.5	40.0	47.0	61.5
M80-9X45000	62.5	48.0	55.0	69.5

SPECIFICATION:
MATERIAL:
HOOD SHELL = GF POLYIMIDE 46 UL94V-0 BLACK
HOOD RETAINING SCREW = STAINLESS STEEL
JACKSCREW = STAINLESS STEEL
JACKSCREW CIRCLIP = STAINLESS STEEL
PACKING:
BAG

NOTES:
1. SUPPLIED AS KIT OF PARTS TO BE ASSEMBLED TO M80 SERIES OF CONNECTORS.

AY	3	08.01.24	33499
NAME	ISS.	DATE	CN/CO
APPROVED: A.YEOMANS			
CHECKED: A.BOXALL			
DRAWN: L.WALKER			
ASSEMBLY DRG:			

HARWIN

www.harwin.com

TOLERANCES
X. = ±1mm
X.X = ±0.50mm
X.XX = ±0.20mm
X.XXX = ±0.01mm
ANGLES = ±5°
UNLESS STATED

THIS DRAWING AND ANY INFORMATION OR DESCRIPTIVE MATTER SET OUT HEREON ARE CONFIDENTIAL AND COPYRIGHT PROPERTY OF THE HARWIN GROUP AND MUST NOT BE DISCLOSED, LOANED, COPIED OR USED FOR MANUFACTURING, TENDERING OR FOR ANY OTHER PURPOSE WITHOUT THEIR WRITTEN PERMISSION.

MATERIAL:
SEE ABOVE

TITLE:
DATAMATE PLASTIC HOOD KIT

DRAWING NUMBER:
M80-9X4XX00

SHT
2 OF 2