

## USB3 Type A - Type C - Adapter



### Description

The USB3 Type A - Type C™ adapter is a complete ruggedized solution around USB3.2 Gen1 Type A and USB Type C. This solution allows you to integrate new equipment featuring a USB Type C port without disassembling an existing USB2 or USB3 Type A link. Two adaptation options are available to facilitate integration into your system: Type C host or Type C device (see description table). The USB3FTV™ receptacle dedicated to be mounted on your panel allows you to reinforce and protect your system against leakage, shock, vibration and much more. There are 2 mechanical coding possibilities (receptacle insert rotation) on the USB-A side and a fully reversible USB-C port on other side that can be integrated with our USB3CFTV™ plug.

### Main features

#### Main characteristics:

- Tri Start Thread coupling mechanism (MIL-DTL-38999 series III type) - Shell size 15
- 2 mechanical coding/polarization possibilities by the user (receptacle insert rotation)
- Sealed against fluids and dusts (IP68)
- Shock, vibration and traction resistant
- No cabling operation in field and no tools required
- Improved EMI protection

#### Data transmission :

- USB specification 3.2 Gen1
- Data rate: up to 5Gb/s for high speed USB

#### Environmental protection:

- Sealing (when mated and unmated) : IP68 (temporary immersion)
- Salt spray:
  - 48 h with nickel plating ✓
  - 500 h with olive drab cadmium
  - 1000 h with marine bronze shell ✓
  - 500 h with black zinc nickel ✓
- Fire retardant / Low smoke: UL94 V0 and EN45545
- Vibrations: 10 - 500 Hz, 10 g, 3 axes: no discontinuity > 1micro s
- Shocks: IK06 > weight of 250 g drop from 40 cm [15.75 in] onto connectors (mated pair)
- Humidity: 21 days, 43°C, 98% humidity
- Temperature range: - 40°C / +85°C

✓: RoHS compliant

Square flange	Jam nut	Reduced flange

### Markets & Applications



C5ISR, Battlefield Communication



Ground Vehicles



Naval



#### Applications :

- Displays, Consoles, Visions systems, Situation awareness

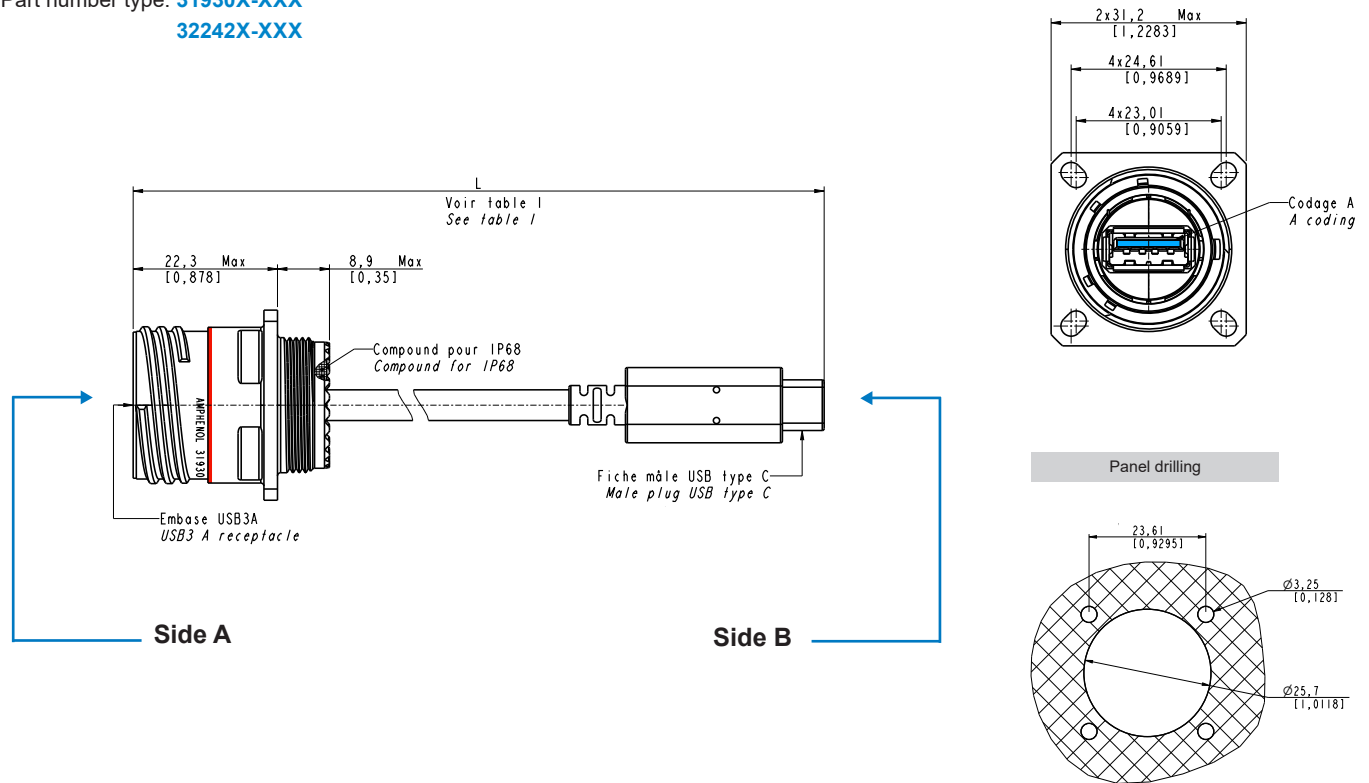
# USB3 TYPE A - TYPE C - ADAPTER



## Overall dimension

Square flange receptacle - Shell type 2 - 4 mounting holes

Part number type: **31930X-XXX**  
**32242X-XXX**



### SIDE A - HOST → SIDE B DEVICE IN SQUARE FLANGE RECEPTACLE

#### Designation

31930	Plating		-	Length	
	G	N		015	030
					15 cm (5.91 inch)
					30 cm (11.81 inch)
					50 cm (19.68 inch)
					1 m (39.37 inch)

### SIDE B - HOST → SIDE A DEVICE IN SQUARE FLANGE RECEPTACLE

#### Designation

32242	Plating		-	Length	
	G	N		015	030
					15 cm (5.91 inch)
					30 cm (11.81 inch)
					50 cm (19.68 inch)
					1 m (39.37 inch)

**Important note:**

- For other codings, please consult us.

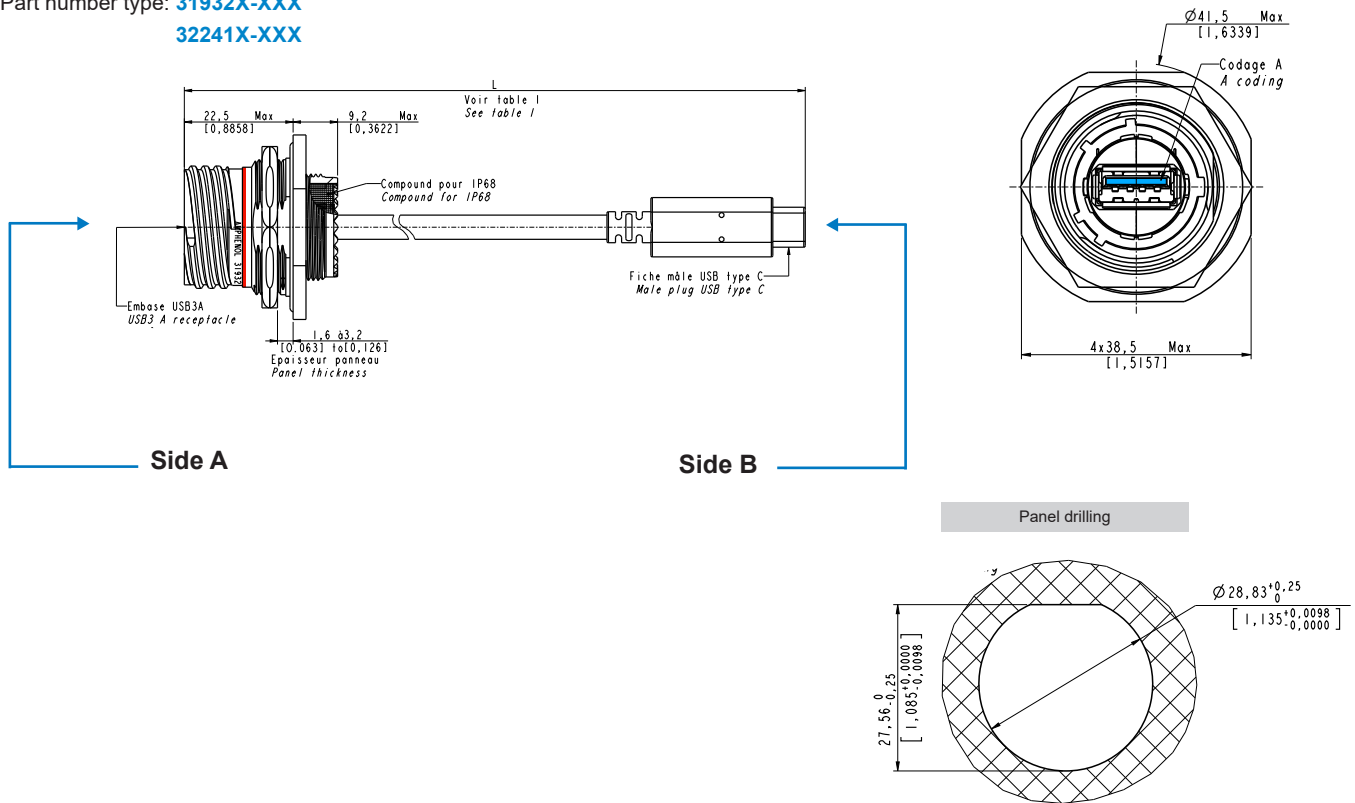
# USB3 TYPE A - TYPE C - ADAPTER



## Overall dimension

Jam nut receptacle - Shell type 7 - Hexagonal nut mounting

Part number type: **31932X-XXX**  
**32241X-XXX**



### SIDE A - HOST → SIDE B DEVICE IN JAM NUT RECEPTACLE

Designation		Plating		Lenght	
<b>31932</b>	<b>G</b>	-		<b>015</b>	15 cm (5.91 inch)
	<b>N</b>			<b>030</b>	30 cm (11.81 inch)
	<b>ZN</b>			<b>050</b>	50 cm (19.68 inch)
	<b>BZ</b>			<b>100</b>	1 m (39.37 inch)

### SIDE B - HOST → SIDE A DEVICE IN JAM NUT RECEPTACLE

Designation		Plating		Lenght	
<b>32241</b>	<b>G</b>	-		<b>015</b>	15 cm (5.91 inch)
	<b>N</b>			<b>030</b>	30 cm (11.81 inch)
	<b>ZN</b>			<b>050</b>	50 cm (19.68 inch)
	<b>BZ</b>			<b>100</b>	1 m (39.37 inch)

**Important note:**

- For other codings, please consult us.

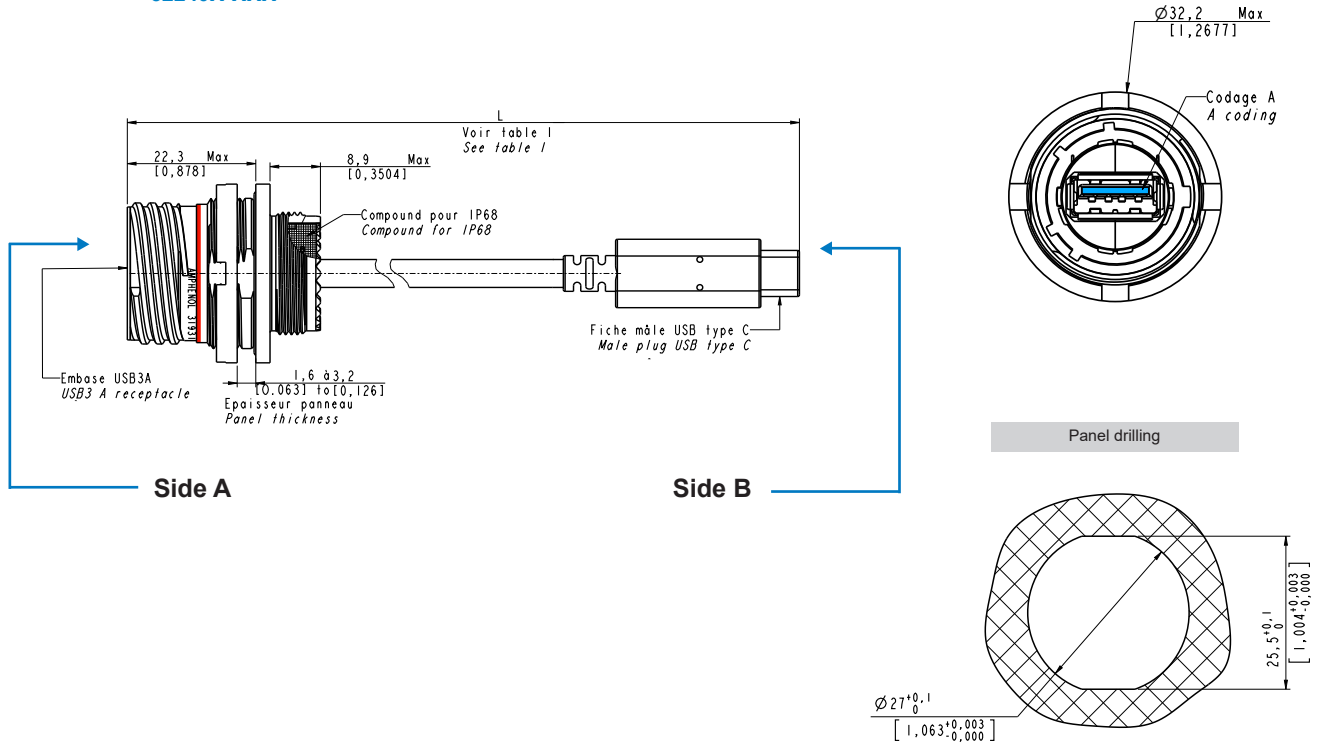
# USB3 TYPE A - TYPE C - ADAPTER



## Overall dimension

Reduced flange receptacle - Jam nut shell type 7 - Castle nut mounting

Part number type: **31931X-XXX**  
**32240X-XXX**



### SIDE A - HOST → SIDE B DEVICE IN REDUCED FLANGE RECEPTACLE

Designation		Plating		Lenght	
<b>31931</b>	<b>G</b>	-		<b>015</b>	15 cm (5.91 inch)
	<b>N</b>			<b>030</b>	30 cm (11.81 inch)
	<b>ZN</b>			<b>050</b>	50 cm (19.68 inch)
	<b>BZ</b>			<b>100</b>	1 m (39.37 inch)

### SIDE B - HOST → SIDE A DEVICE IN REDUCED FLANGE RECEPTACLE

Designation		Plating		Lenght	
<b>32240</b>	<b>G</b>	-		<b>015</b>	15 cm (5.91 inch)
	<b>N</b>			<b>030</b>	30 cm (11.81 inch)
	<b>ZN</b>			<b>050</b>	50 cm (19.68 inch)
	<b>BZ</b>			<b>100</b>	1 m (39.37 inch)

**Important note:**

- For other codings, please consult us.

# USB3 TYPE A - TYPE C - ADAPTER

## USB3 Adapter selection guide

Define your own solution by selecting options in the scheme below

