

REFERENCE SPECIFICATIONS

-NFC 93425 (in compliance with HE 507)

PHYSICAL CHARACTERISTICS

- INSULATOR MATERIAL: THERMOPLASTIC UL94V0
- CONTACT MATERIAL: PHOSPHOR BRONZE( SIGNAL CONTACT ), GOLD OVER NICKEL
- ACCESSORIES: STAINLESS STEEL or BRASS, cadmium plated yellow passivation
- SHELLS: STEEL, cadmium plated yellow passivation

ELECTRICAL CHARACTERISTICS

- NOMINAL CURRENT: 7.5A (SIGNAL CONTACT)
- CONTACT RESISTANCE: <=7.3 m Ohms SIGNAL
- CONTACT/CONTACT : >=1000 V
- CONTACT/GROUND : >=1200 V
- INSULATION RESISTANCE: >=5000 MOhms
- CLIMATIC CATEGORY: 55/125/21  
 TEMPERATURE RANGE -55°C TO +125°C  
 DAMP HEAT STEADY STATE 56 DAYS  
 SALT SPRAY 48 HOURS

# DBML13W3S400N

Series ←

Shell size: **E A B C D** ←  
see sheet 3

**M** :characteristic for the DM series

Front accessory definition see sheet 2

**Blank** :without accessory

**L** :threaded insert M3

**O** :threaded insert UNC 4-40

**V** :female screw UNC 4-40

**F** :floating mounting

**S** :spacer

Layout of contacts (see sheet 3) ←

Contacts ←

**S** :Socket

Termination type ←

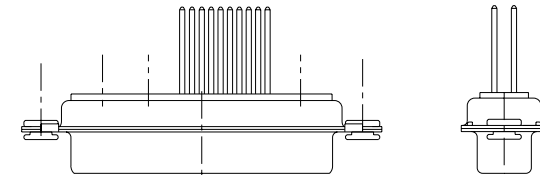
**4** 3 level wire wrap

Plating ←

**00** straight solder 500 matings/unmatings

**43** straight solder 500 matings/unmatings for harsh environment

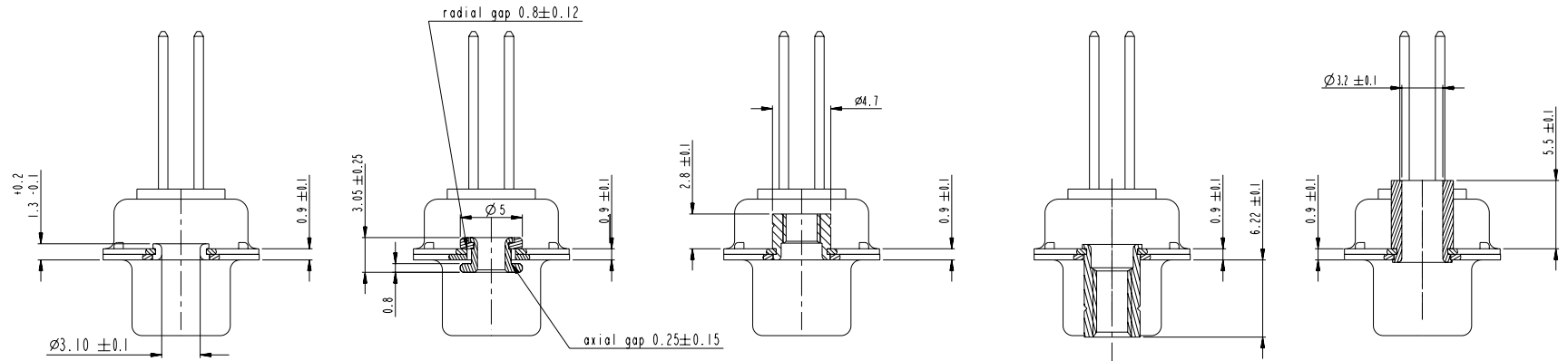
**N** :obligatory indication for HE 507 series ←



I3W3 FOR EXAMPLE

www.fciconnect.com				surface	tolerance std	projection	mm	
				ISO 1302	ISO 406 ISO 1101	⊕	← →	
				TOLERANCES UNLESS OTHERWISE SPECIFIED				
rev	ecn no	dr	date	Dr	M PESSON	2006/11/14	ANGULAR	LINEAR
A	LS06-0174	MLE	2006/11/14	Eng	P LEGARE	2006/11/14	0.X	±0.3
B	LS07-0273	MPE	2007/10/30	Chr	P LEGARE	2006/11/14	0.xx	±0.1
				Appr	P LEGARE	2006/11/14	0.xxx	±0.05
				Product family	- Spec ref			
				FCJ	SUB FEMALE DMW			Rev. B
				mixed power 3 level wire wrap	cat no	C01-8637-1755		sheet 1 of 7
				customer				

Copyright FCJ



FRONT ACCESSORY    **Blank** without    **F** floating mounting    **L** insert M3    **O** insert UNC 4.40    **V** femelle screw UNC 4.40    **S** Spacer

shell size LAYOUTS

PART NUMBER	FRONT ACCESSORY
D*MxWxS400N	without
D*MFxWxS400N	floating mounting
D*MLxWxS400N	insert M3
D*MOxWxS400N	insert UNC 4.40
D*MVxWxS400N	female screw UNC 4.40
D*MSxWxS400N	Spacer
D*MxWxS443N	without
D*MFxWxS443N	floating mounting
D*MLxWxS443N	insert M3
D*MOxWxS443N	insert UNC 4.40
D*MVxWxS443N	female screw UNC 4.40
D*MSxWxS443N	Spacer

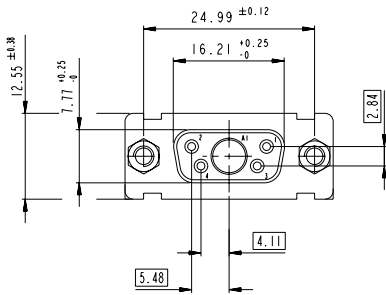
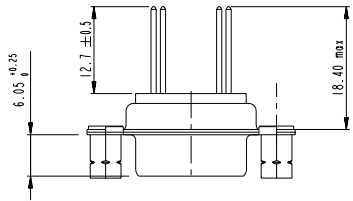
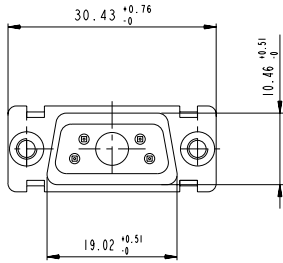
#	xWx
E	5W1
A	11W1
A	7W2
B	21W1
B	17W2
B	13W3
B	9W4
C	25W3
C	21WA4
C	27W2
D	47W1
D	24W7
D	36W4

Copyright FCJ

www.fciconnect.com		surface ISO 1302	tolerance std ISO 406 ISO 1101	projection mm
		TOLERANCES UNLESS OTHERWISE SPECIFIED		
Dr	M PESSON	2006/11/14	ANGULAR	0.X ±0.3
Eng	P LEGARE	2006/11/14	LINEAR	0.XX ±0.1
Chr	P LEGARE	2006/11/14	0° ±2°	0.XXX ±0.05
Appr	P LEGARE	2006/11/14	Product family	- Spec ref
FCJ SUB FEMALE DMW		mixed power 3 level wire wrap	catalog no	C01-8637-1755
			CUSTOMER	sheet 2 of 7

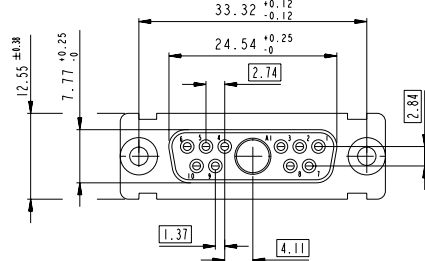
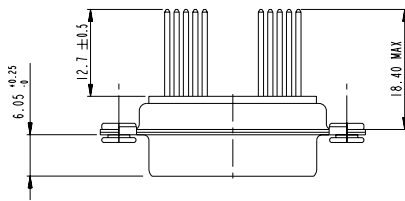
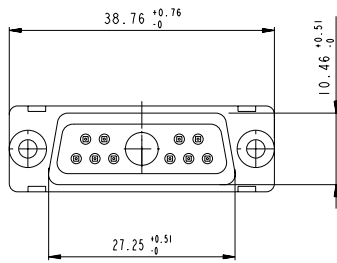
SCALE: 4

5W1

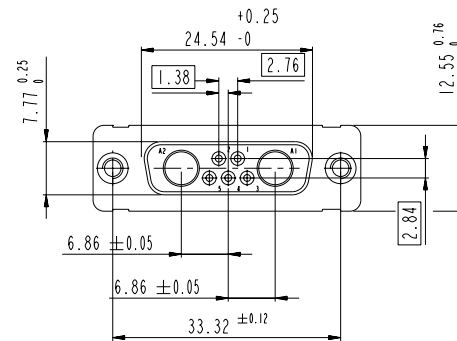
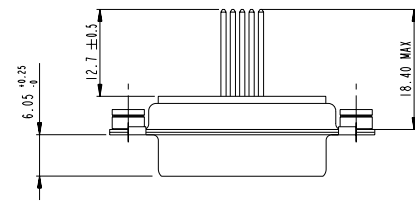
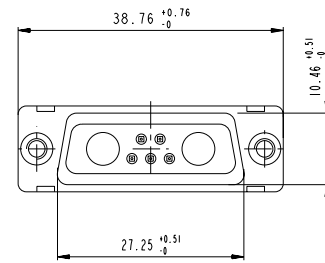


Floating signal contacts

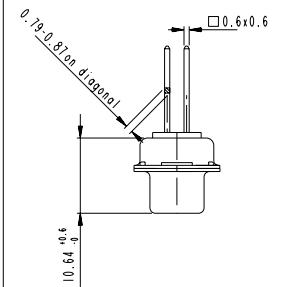
11W1



7W2

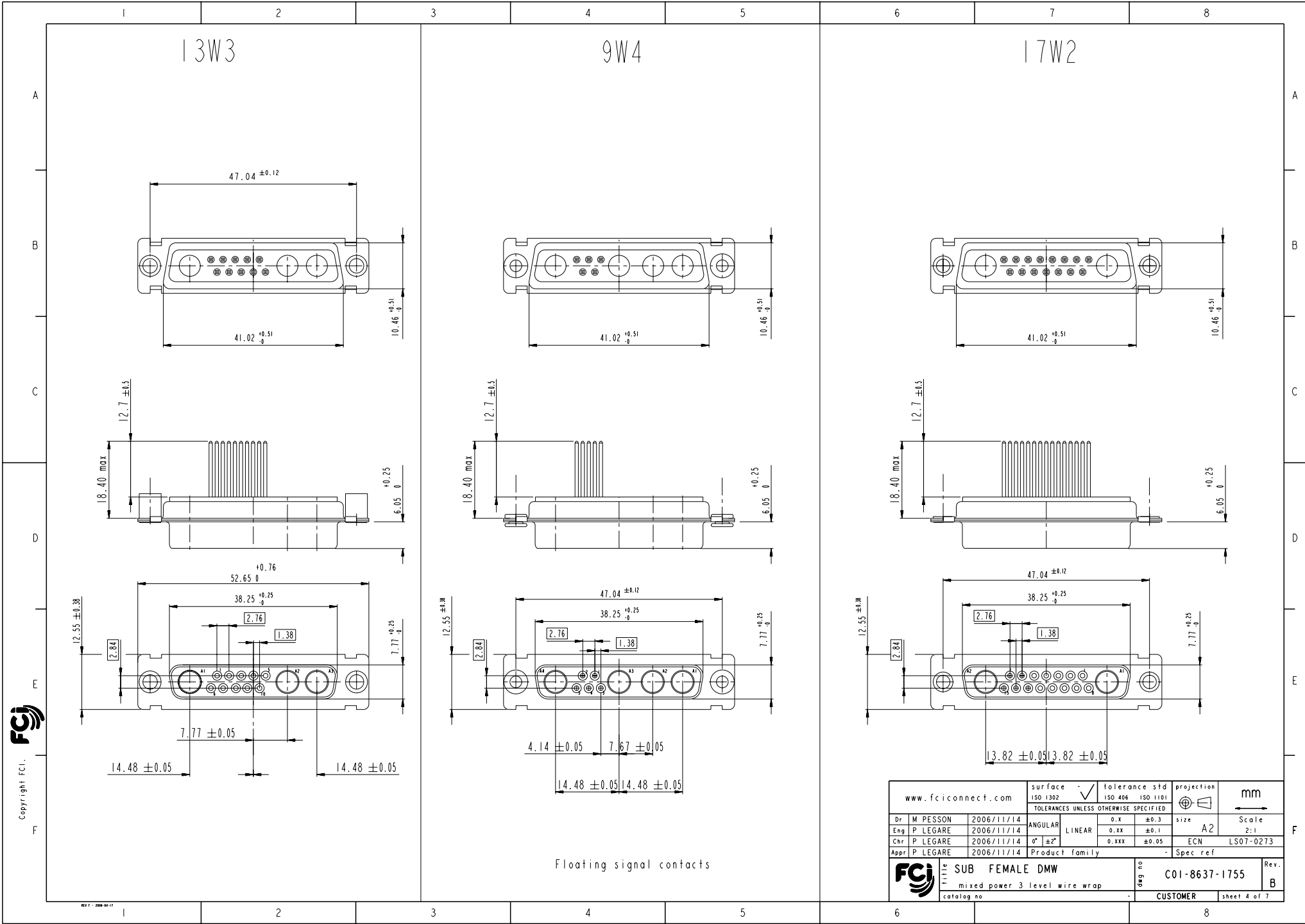


SIDE VIEW FOR LAYOUTS: E A B C



Copyright FCI.

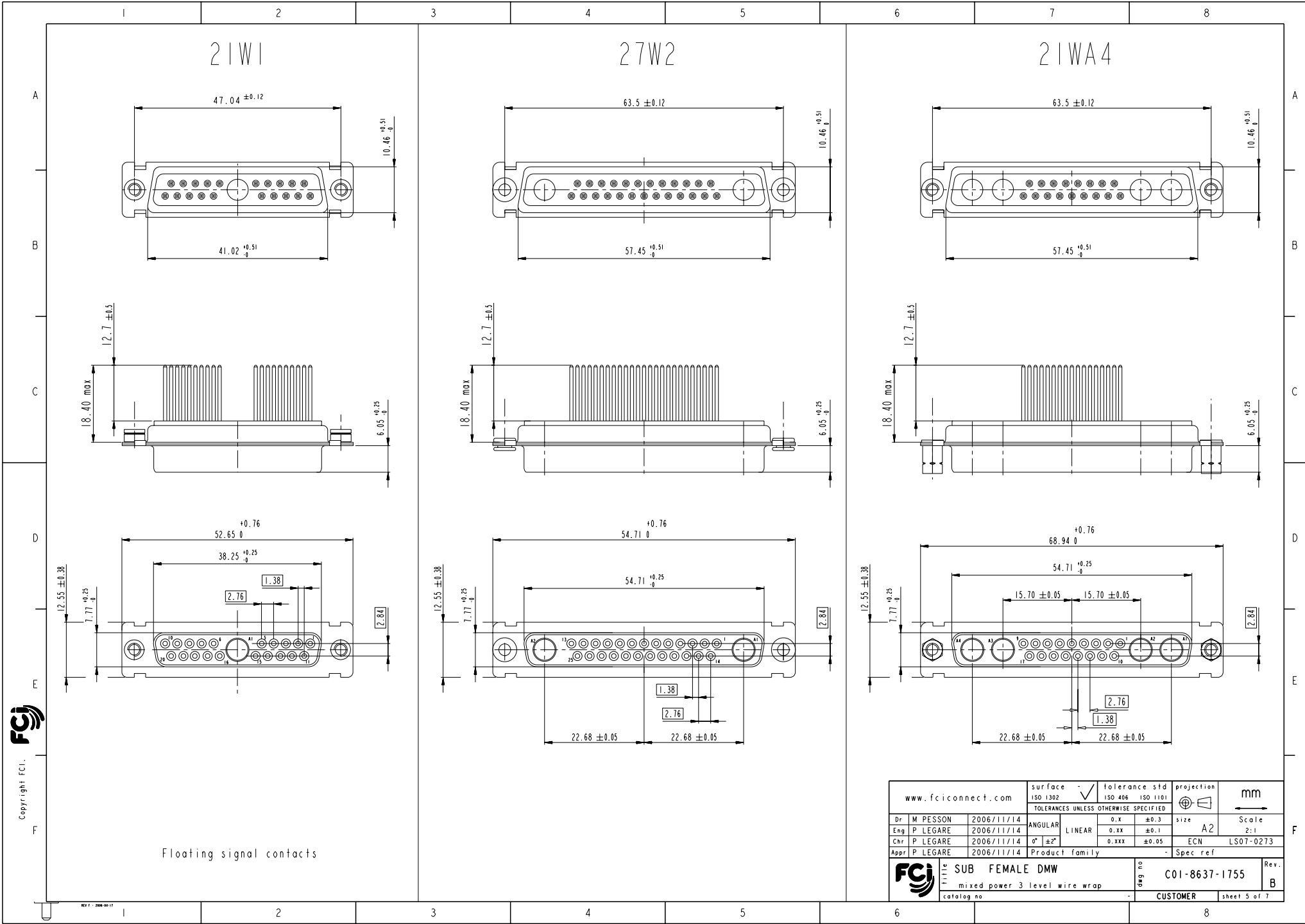
www.fciconnect.com		surface ISO 1302	tolerance std ISO 406 ISO 1101	projection mm
		TOLERANCES UNLESS OTHERWISE SPECIFIED		
Dr M PESSON	2006/11/14	ANGULAR	0.X ±0.3	size A2 Scale 2:1
Eng P LEGARE	2006/11/14	LINEAR	0.XX ±0.1	ECN LS07-0273
Chr P LEGARE	2006/11/14	0° ±2°	0.XXX ±0.05	Spec ref
Appr P LEGARE	2006/11/14	Product family		
<b>FCI</b> SUB FEMALE DMW		title	ang no	Rev.
mixed power 3 level wire wrap			C01-8637-1755	B
catalog no		CUSTOMER		sheet 3 of 7



Copyright FCJ

Floating signal contacts

www.fciconnect.com		surface - ✓ ISO 1302	tolerance std ISO 406 ISO 1101	projection mm
		TOLERANCES UNLESS OTHERWISE SPECIFIED		
Dr M PESSON	2006/11/14	ANGULAR	0.X ±0.3	size A2 Scale 2:1
Eng P LEGARE	2006/11/14	LINEAR	0.XX ±0.1	ECN LS07-0273
Chr P LEGARE	2006/11/14	0° ±2°	0.XXX ±0.05	
Appr P LEGARE	2006/11/14	Product family	-	Spec ref
<b>TITLE</b> SUB FEMALE DMW mixed power 3 level wire wrap catalog no		<b>ang no</b> C01-8637-1755	<b>Rev.</b> B	<b>sheet 4 of 7</b>



Floating signal contacts

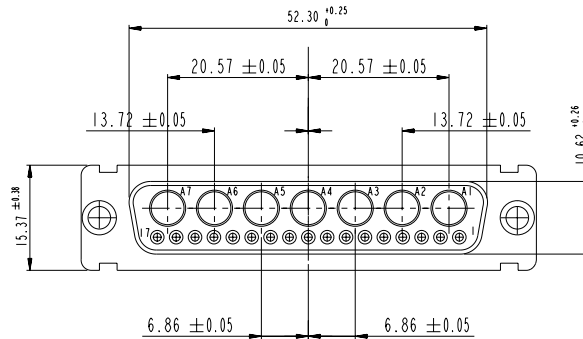
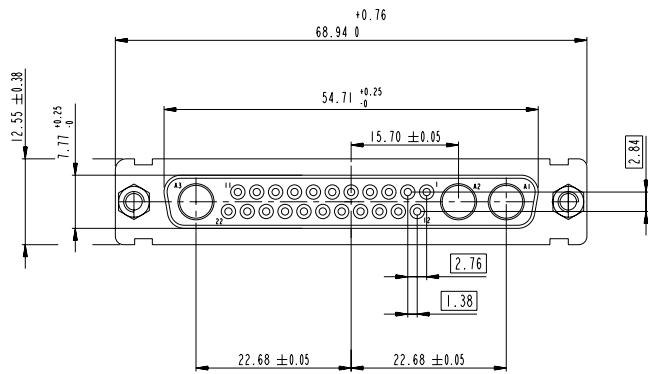
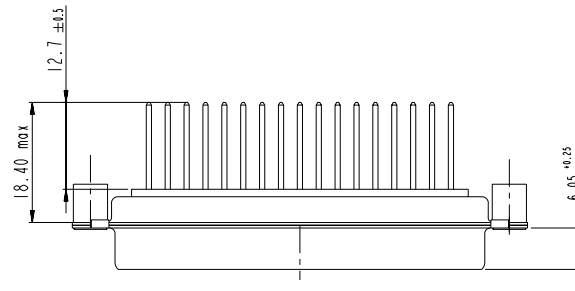
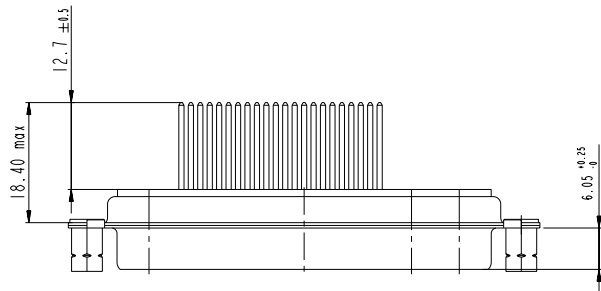
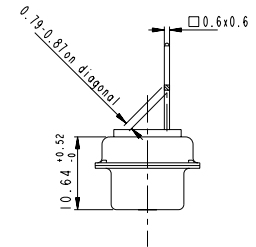
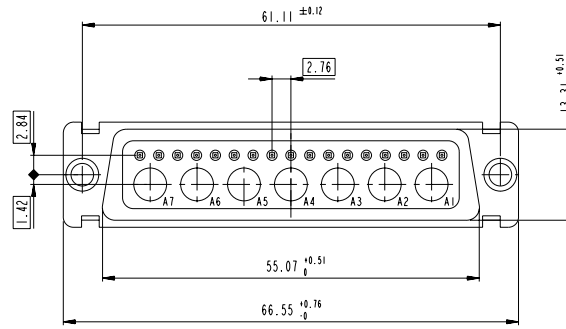
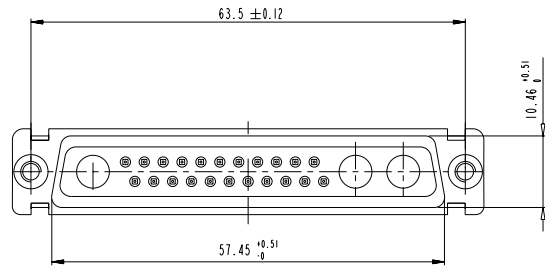
www.fciconnect.com		surface -	tolerance std	projection	mm
		ISO 1302	ISO 406 ISO 1101		
		TOLERANCES UNLESS OTHERWISE SPECIFIED			
Dr	M PESSON	2006/11/14	ANGULAR	size	Scale
Eng	P LEGARE	2006/11/14	LINEAR	0.xx ±0.1	A2 2:1
Chr	P LEGARE	2006/11/14	0° ±2°	0.xxx ±0.05	ECN LS07-0273
Appr	P LEGARE	2006/11/14	Product family	-	Spec ref
	SUB FEMALE DMW		ang no	C01-8637-1755	Rev. B
mixed power 3 level wire wrap		catalog no	CUSTOMER	sheet 5 of 7	

Copyright FCI.

25W3

24W7

SIDE VIEW FOR  
LAYOUT: D

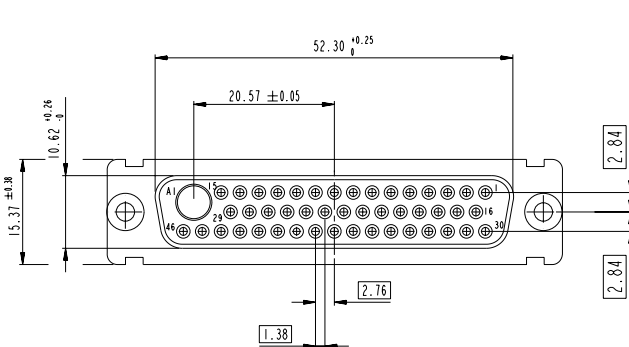
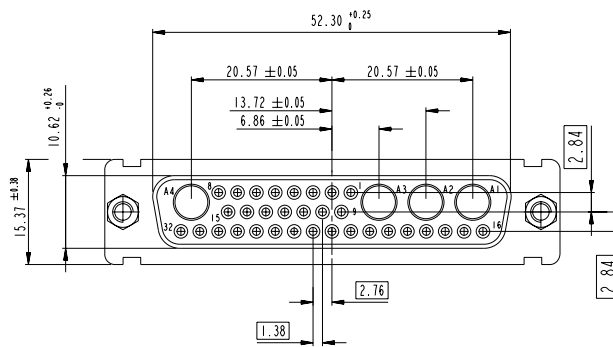
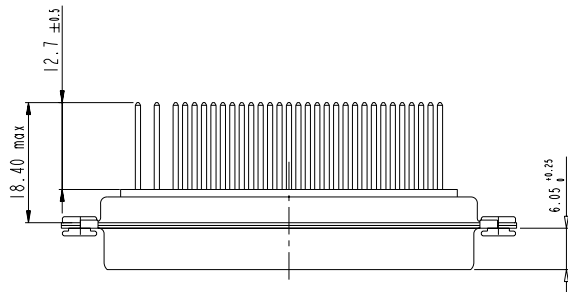
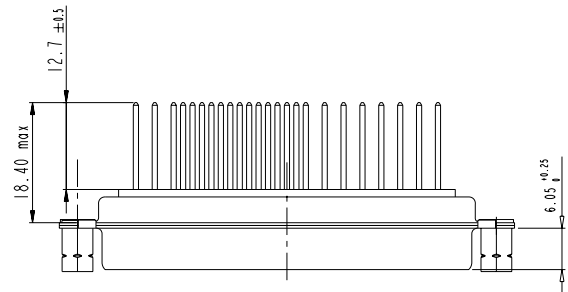
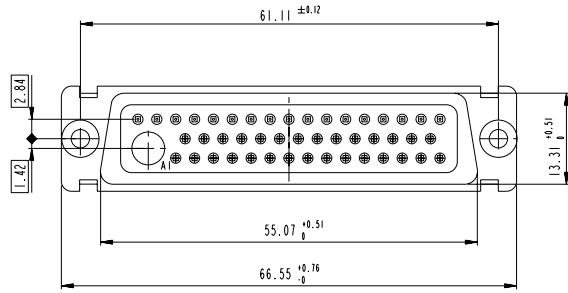
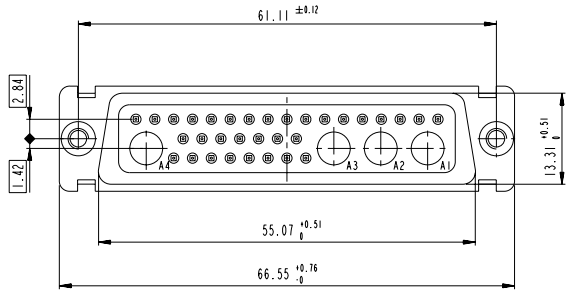


Copyright FCJ

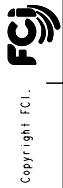
www.fciconnect.com		surface ISO 1302	tolerance std ISO 406 ISO 1101	projection mm
		TOLERANCES UNLESS OTHERWISE SPECIFIED		
Dr	M PESSON	2006/11/14	0.X ±0.3	size A2
Eng	P LEGARE	2006/11/14	0.XX ±0.1	Scale 2:1
Chr	P LEGARE	2006/11/14	0.XXX ±0.05	ECN LS07-0273
Appr	P LEGARE	2006/11/14	Product family	Spec ref
SUB FEMALE DMW mixed power 3 level wire wrap catalog no		ang no C01-8637-1755	Rev. B	sheet 6 of 7

36W4

47W1



Floating signal contacts



Copyright FCI.

www.fciconnect.com		surface ISO 1302	tolerance std ISO 406 ISO 1101	projection mm
		TOLERANCES UNLESS OTHERWISE SPECIFIED		
Dr M PESSON	2006/11/14	ANGULAR	0.X ±0.3	size A2 Scale 2:1
Eng P LEGARE	2006/11/14	LINEAR	0.XX ±0.1	
Chr P LEGARE	2006/11/14	0° ±2°	0.XXX ±0.05	ECN LS07-0273
Appr P LEGARE	2006/11/14	Product family		Spec ref
FCI		SUB FEMALE DMW		Rev. B
mixed power 3 level wire wrap		cat no	C01-8637-1755	
catalog no		CUSTOMER	sheet 7 of 7	