



SANYO Semiconductors

DATA SHEET

LA4632

Monolithic Linear IC

For Audio Applications

10W 2-Channel BTL AF Power Amplifier

Overview

The LA4632 is a pin compatible version of the LA4631 (5W×2 channel single ended type) BTL power amplifier IC. The LA4632's pin compatibility makes it possible to share a common printed circuit board among a series of end products differentiated by power rank. Note that the LA4631 has a pin 13, and that it is necessary to provide a hole for this pin if the same printed circuit board is to be shared. Also, some of the external components used differ. The LA4632 provides a full complement of built-in protection circuits, including protection against shorting to the power supply, shorting to ground, load shorting, and excessive temperatures.

Functions

- 2-channel BTL power amplifier for audio applications

Specifications

Maximum Ratings at Ta = 25°C

Parameter	Symbol	Conditions	Ratings	Unit
Maximum supply voltage	V _{CC} max	With no input signal	24	V
Maximum output current	I _O peak	Per channel	2.5	A
Allowable power dissipation	P _d max	With an infinitely large heat sink	25	W
Maximum junction temperature	T _j max		150	°C
Operating temperature	T _{opr}		-25 to +75	°C
Storage temperature	T _{stg}		-40 to +150	°C

■ Any and all SANYO Semiconductor Co.,Ltd. products described or contained herein are, with regard to "standard application", intended for the use as general electronics equipment (home appliances, AV equipment, communication device, office equipment, industrial equipment etc.). The products mentioned herein shall not be intended for use for any "special application" (medical equipment whose purpose is to sustain life, aerospace instrument, nuclear control device, burning appliances, transportation machine, traffic signal system, safety equipment etc.) that shall require extremely high level of reliability and can directly threaten human lives in case of failure or malfunction of the product or may cause harm to human bodies, nor shall they grant any guarantee thereof. If you should intend to use our products for applications outside the standard applications of our customer who is considering such use and/or outside the scope of our intended standard applications, please consult with us prior to the intended use. If there is no consultation or inquiry before the intended use, our customer shall be solely responsible for the use.

■ Specifications of any and all SANYO Semiconductor Co.,Ltd. products described or contained herein stipulate the performance, characteristics, and functions of the described products in the independent state, and are not guarantees of the performance, characteristics, and functions of the described products as mounted in the customer's products or equipment. To verify symptoms and states that cannot be evaluated in an independent device, the customer should always evaluate and test devices mounted in the customer's products or equipment.

SANYO Semiconductor Co., Ltd.

www.semiconductor-sanyo.com/network

LA4632

Operating Conditions at $T_a = 25^\circ\text{C}$

Parameter	Symbol	Conditions	Ratings	Unit
Recommended supply voltage	V_{CC}		13	V
Recommended load resistance range	$R_{L\text{ op}}$		4 to 8	Ω
Allowable operating supply voltage range	$V_{CC\text{ op}^*1}$	When $R_L = 8\Omega$	5.5 to 20	V
		When $R_L = 6\Omega$	5.5 to 17	V
		When $R_L = 4\Omega$	5.5 to 13	V

Caution: V_{CC} , R_L , and the output level must be set for the size of the heat sink used so that the $P_d\text{ max}$ range is not exceeded.

*1. When both channels are operating such that $I_O\text{ peak} = 1.0\text{A}$ per channel is exceeded.

If the IC is operated such that $I_O\text{ peak} = 1.0\text{A}$ per channel is not exceeded, the IC can be used in the range 5.5 to 20V (in the ranges where $P_d\text{ max}$ is not exceeded) with a load of $R_L = 4$ to 8Ω .

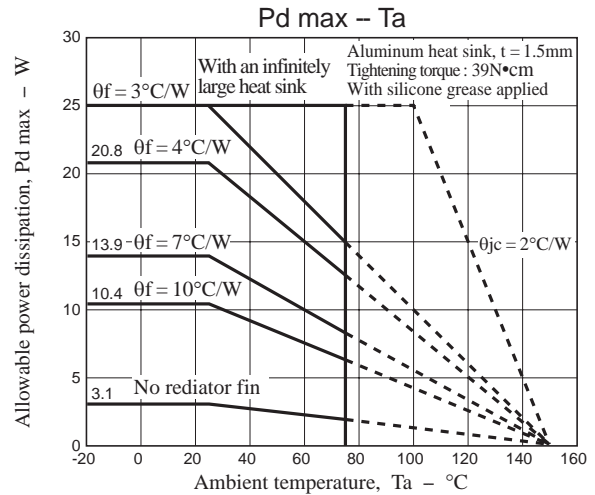
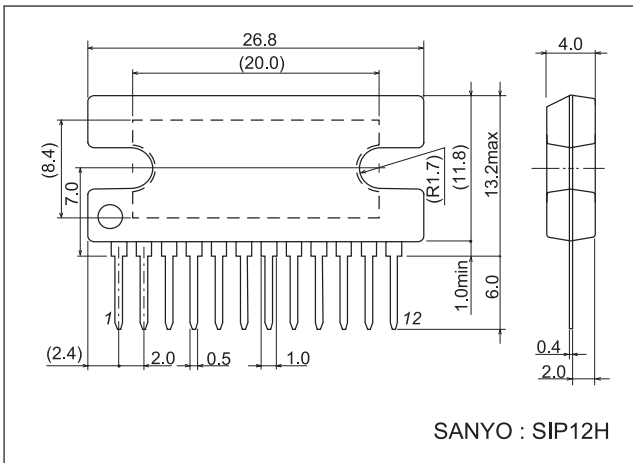
Electrical Characteristics at $T_a = 25^\circ\text{C}$, $V_{CC} = 13\text{V}$, $R_L = 6\Omega$, $f = 1\text{kHz}$, $R_g = 600\Omega$

Parameter	Symbol	Conditions	Ratings			Unit
			min	typ	max	
Quiescent current drain	I_{CCO}	$R_g = 0$, no signal	40	70	150	mA
Standby current	I_{st}			0	10	μA
Voltage gain	VG	$V_O = 0\text{dBm}$	33	35	37	dB
Total harmonic distortion	THD	$P_O = 1\text{W}$		0.06	0.2	%
Output power	P_O	THD = 10%	8.5	10		W
Output offset voltage	$V_{N\text{ offset}}$	$R_g = 0$	-300		+300	mV
Output noise voltage	V_{NO}	$R_g = 0$, BPF = 20Hz to 20kHz		0.14	0.3	mVrms
Supply voltage rejection ratio	SVRR	$R_g = 0$, $f_R = 100\text{Hz}$, $V_R = 0\text{dBm}$	50	60		dB
Channel separation	CHsep	$R_g = 10\text{k}\Omega$, $V_O = 0\text{dBm}$	50	60		dB
Input resistance	R_i		14	20	26	$\text{k}\Omega$
Standby pin applied voltage	VST	The pin 5 voltage such that the amplifier is on	2.5		10	V
Mute pin applied voltage	VM	The pin 6 voltage such that muting is applied	1.7		3	V
Muting attenuation	ATTM	$V_O = 1\text{Vrms}$, BPF = 20Hz to 20kHz	80	90		dB

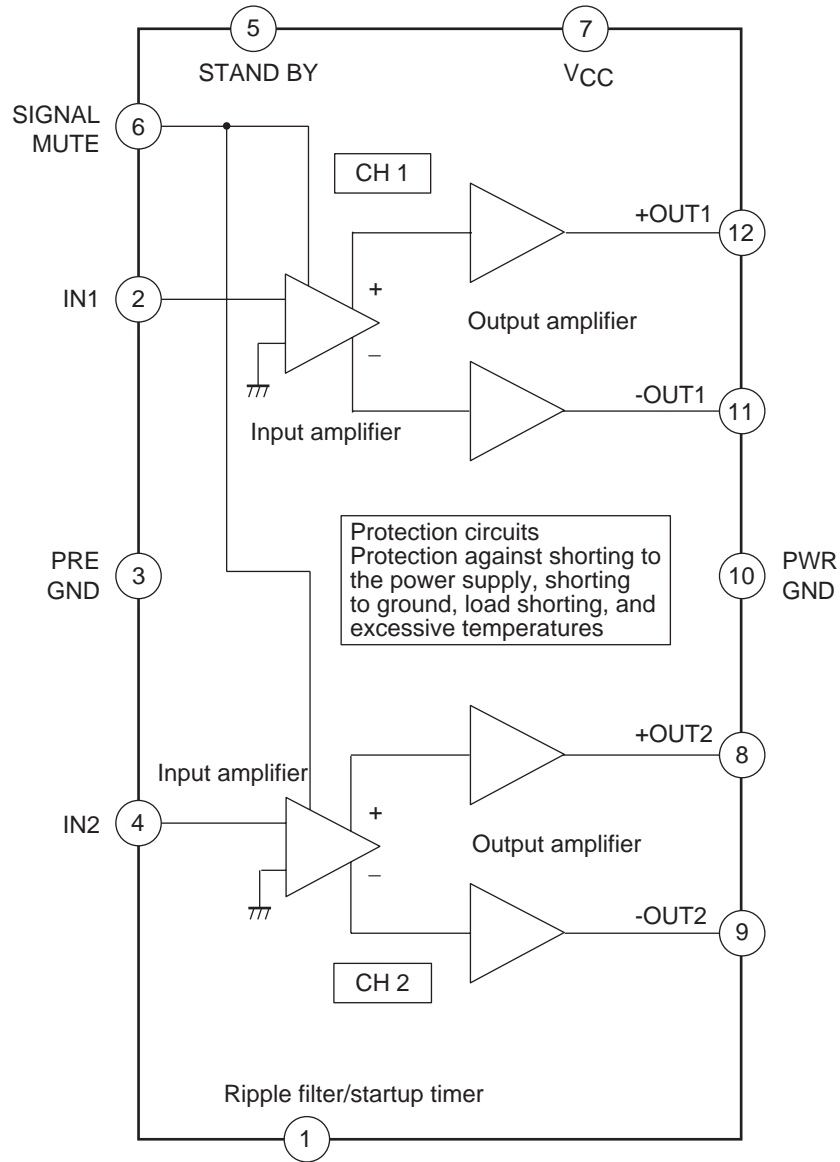
Package Dimensions

unit : mm (typ)

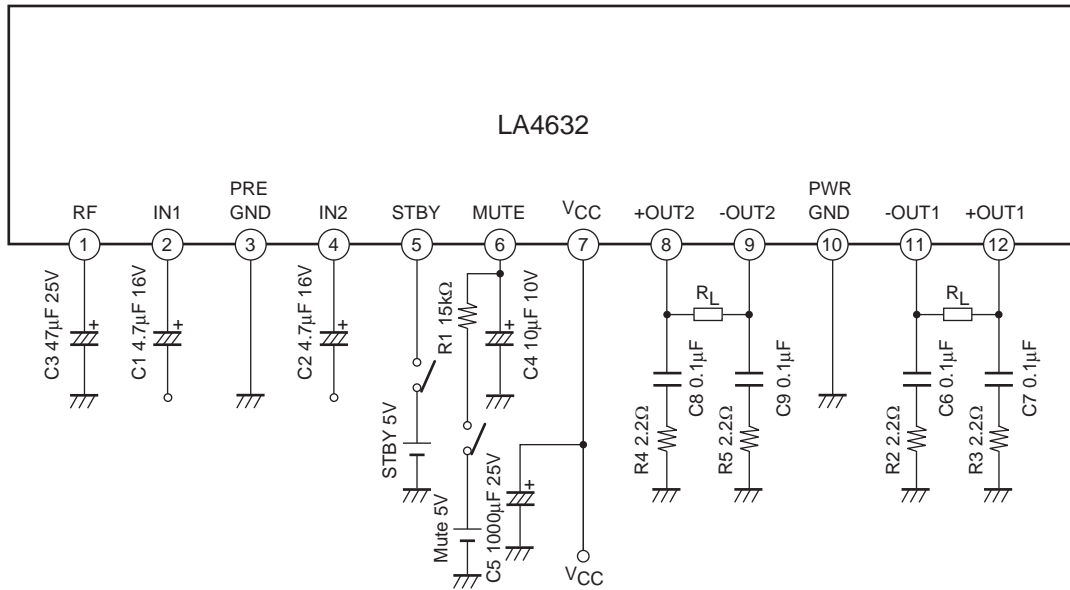
3049B



Block Diagram



Application Circuit Example/Test Circuit Diagram



Top view

• Caution

Although the LA4632 is basically pin compatible with the LA4631, there are certain differences in the external components and the way the devices are used.

External Components and Usage Notes

C1, C2 : These are input coupling capacitors; we recommend a value of 4.7μF or lower. A zero bias type circuit is used for the LA4632 input circuits, and the input pin potential is close to zero volts. Therefore the polarity must be considered in conjunction with the DC potential of the circuit connected to the LA4632 front end. If there is a large potential difference between the plus and minus sides of the input capacitors, the stabilization time when power is first applied can be reduced by reducing the value of the input capacitors, as long as that reduction does not compromise the low-band characteristics.

C3 : This capacitor is used both as a ripple filter and to set the amplifier's startup time. A value of 47μF is recommended. With this value, the startup time (the time from the point power is first applied until the point an output is generated) will be about 0.6 to 0.7 seconds. (See note 1.)

C4, R1 : This RC circuit is used for mute smoothing. C4 is required even if the muting function is not used. (See note 2.)

C5 : Power supply capacitor

C6 to C9, R2 to R5

: These components form oscillation prevention RC circuits. We recommend using polyester film apacitors (Mylar capacitors) with excellent thermal characteristics for C6 through C9. (R2 to R5 are 2.2Ω 1/4W resistors.)

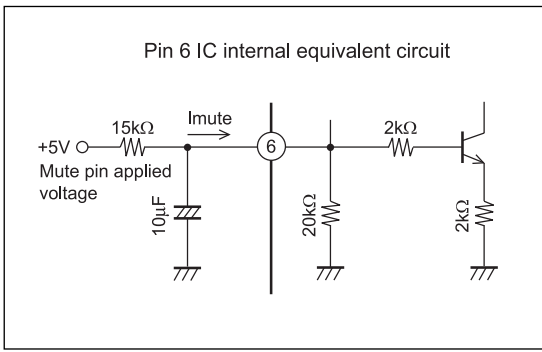
*1. Startup time

The LA4632 features a built-in startup circuit that can be adjusted somewhat by changing the value of the capacitor connected to pin 1. (With the recommended value of 47μF, the time is about 0.6 to 0.7 seconds (a time that changes somewhat with VCC). That time can be extended to about 0.8 to 0.9 seconds by inserting a capacitor with a value of 10μF in parallel.) Since using a capacitor with a value smaller than the recommended value may reduce the SVRR between ground and the output, we cannot recommend using a smaller value.

*2. Signal muting function

The signal muting function is turned on by connecting the recommended RC circuit (10μF, 15kΩ) to pin 6 and applying a voltage of +5V to the mute pin. This circuit implements a muting function with extremely low impulse noise.

This RC circuit is used to smooth the attack and recovery times, and since the 10μF capacitor also has the function of smoothing after the startup time, it is required even if the signal muting function is not used.

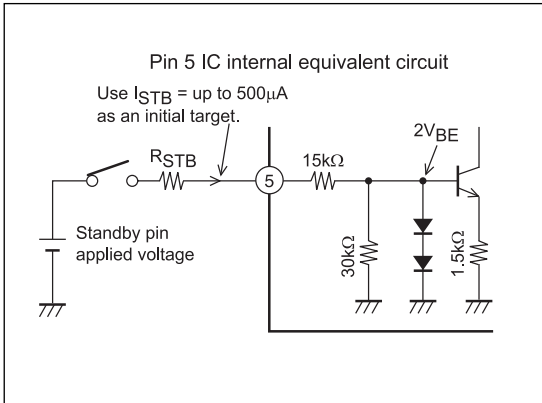


When an voltage of +5V is applied to the mute pin through the external 15kΩ resistor, the pin 6 voltage becomes about 1.85V. (The muting function activation level in the specifications is 1.7V minimum.) The pin 6 influx current (I_{mute}) at this time will be roughly 210μA.

Although it is possible to change the mute pin applied voltage or the values of the mute pin external components, if the pin 6 voltage (and pin 6 influx current) is too high, or if the pin 6 external component time constant is too short, the amplitude of impulse noise in the system may rise. This phenomenon must be taken into account when designing this circuit.

Other items

Standby function



The IC's pin 5 is a standby pin. The amplifier is turned on when the voltage applied to this pin is about 2V or higher. (The value in the specifications is 2.5V minimum.) If a voltage of +5V is directly applied to the standby pin, the pin 5 influx current will be about 230μA.

$$I_{STB} = \frac{5V - 2V_{BE} \text{ (about 1.55V)}}{15k\Omega} = 230\mu A$$

If a voltage that exceeds the upper limit voltage given in the specifications (10V) is applied as the standby pin voltage, calculate a value for an external resistor R_{STB} from the following formula so that the pin 5 influx current does not increase excessively (use a value of under about 500μA as the initial target value).

$$R_{STB} = \frac{\text{Applied voltage} - 2V_{BE} \text{ (about 1.55V)}}{I_{STB} \text{ (Under 500}\mu A)} - 15k\Omega$$

Usage Notes

Notes on the Maximum Ratings

If this IC is used in the vicinity of the maximum ratings, even the slightest fluctuations in the operating conditions could cause those ratings to be exceeded, making the destruction of the device possible. Applications must be designed with adequate margins in the supply voltage and other parameters so that the devices is always used in ranges that do not exceed the maximum ratings.

Notes on Protection Circuits

While the LA4632 provides a full complement of built-in protection circuits, care is required in their use. In particular, be careful not to inadvertently short IC pins to each other.

[Notes on the short to power, short to ground, and load shorting protection circuit]

- This protection circuit operates when an abnormal short such as a short to power (a short between an output and V_{CC}), a short to ground (a short between an output and ground), or a load short (a short between the output \pm sides) occurs. Although this circuit may not operate when the V_{CC} voltage is under about 9V, the thermal protection circuit is thought adequate to protect the IC in that case.
- This protection circuit is the type that continues to operate while the above listed short state continues and recovers automatically as soon as the abnormality is resolved. However, there are cases where, depending on the operating conditions, the protection circuit locks and the protection operation continues. In these cases, the protection circuit can be cleared by switching to standby mode or cutting and reapplying power.
- Note that if the output is shorted to power in the state where the IC is in the standby state (amplifier operation is turned off) and V_{CC} is over about 20V, an offset may occur between the plus and minus outputs. If a load is connected in this state, current may flow in through the load and the IC may be destroyed.
- In the following usage conditions, a symptom in which the output audio is cut off at high outputs due to protection circuit operation. Depending on the end product specifications, it may be necessary to check for this phenomenon.
- Situations where both channels are operating in a manner that the I_O Peak per channel exceeds 1A at low R_L (high loads) and high V_{CC} (The higher the chip temperature the easier it is for this phenomenon to occur.)
The "Allowable operating supply voltage range ($V_{CC\ op}$)" item in the operating conditions specifications provides specific target operating conditions so that the above phenomenon will not occur under severe usage conditions (high temperatures, high outputs. (See the different $V_{CC\ op}$ ranges for different R_L values.)

[Thermal Protection Circuit]

- The LA4632 includes an on-chip thermal protection circuit to prevent degradation or destruction of the IC due to abnormal heating. If this IC's junction temperature (T_j) rises above 160°C due to and insufficient heat sink or other reason, the thermal protection circuit will operate and gradually reduce the output signal level. This protection function clears automatically as the temperature falls.

Notes on Printed Circuit Boards

When designing the printed circuit board pattern, keep the inputs and V_{CC} , and the inputs and the outputs, away from each other. (This is to prevent increased distortion, oscillation, and other problems.)

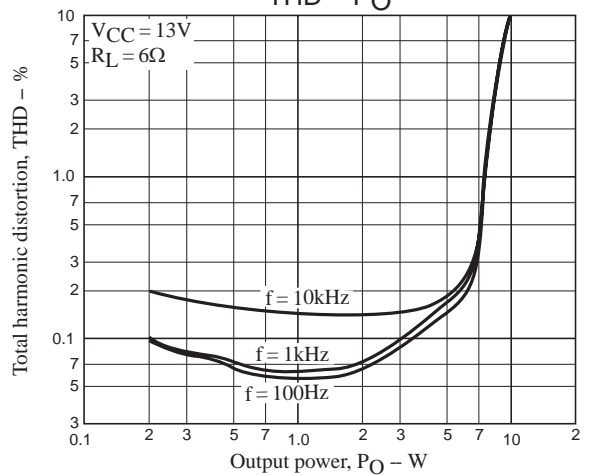
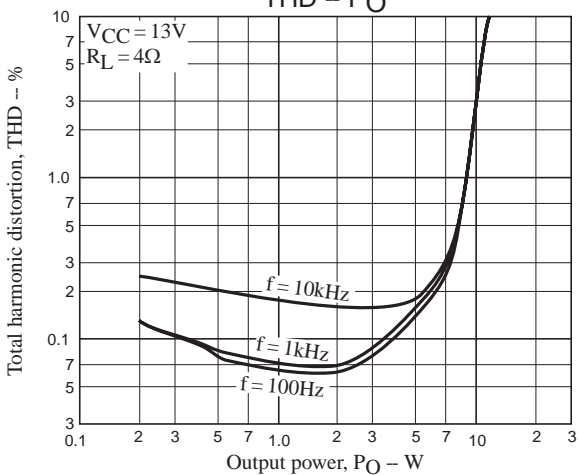
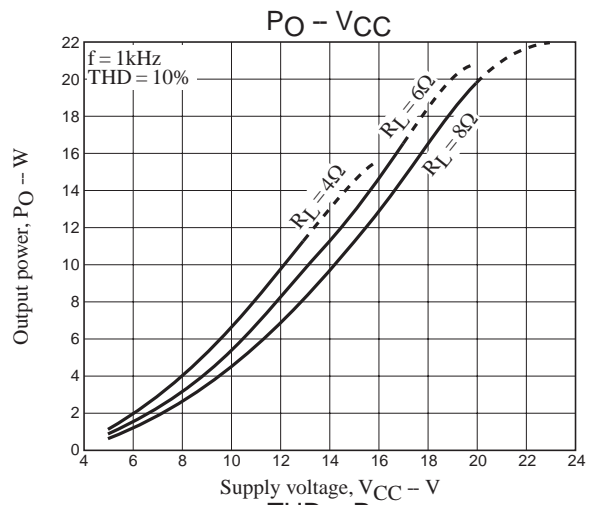
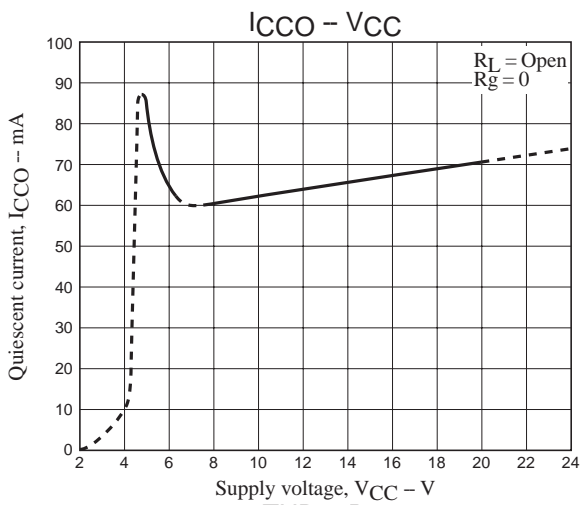
Notes on Heat Sink Attachment

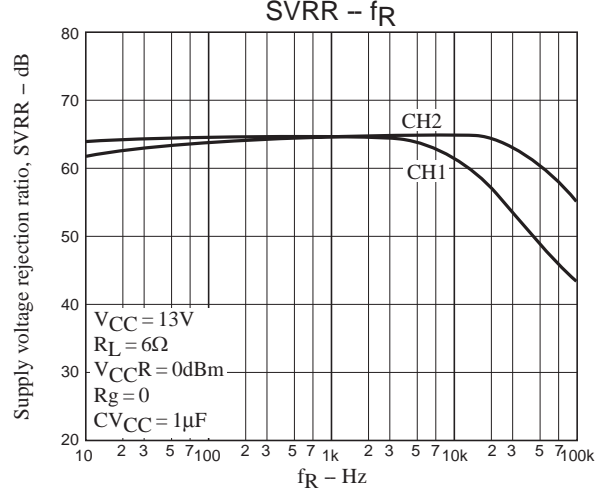
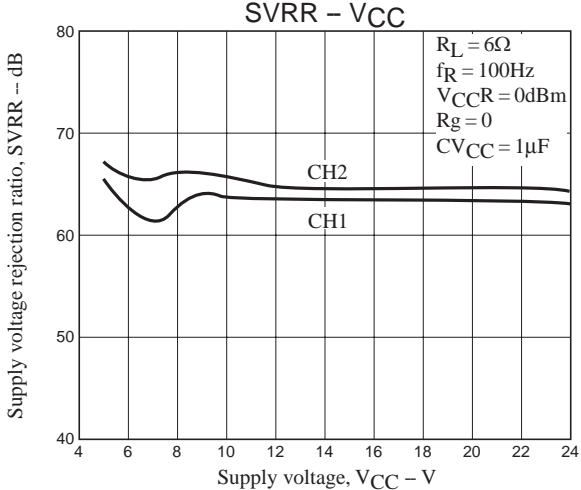
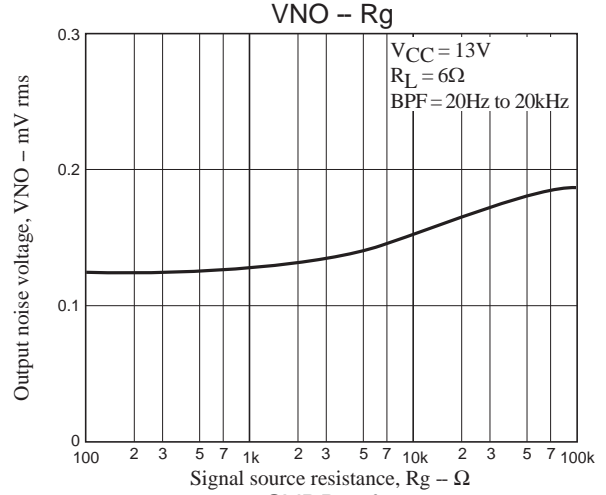
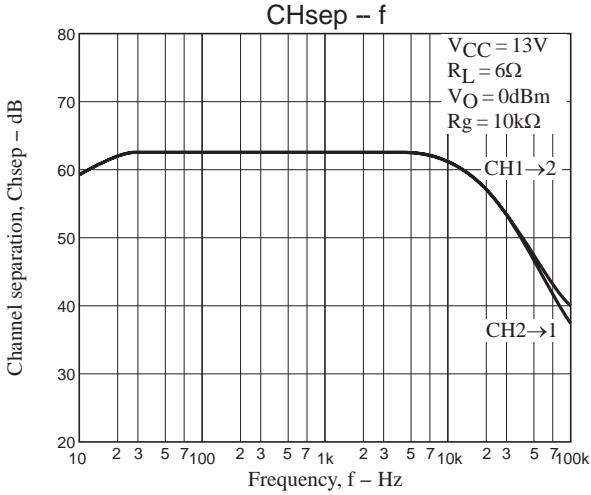
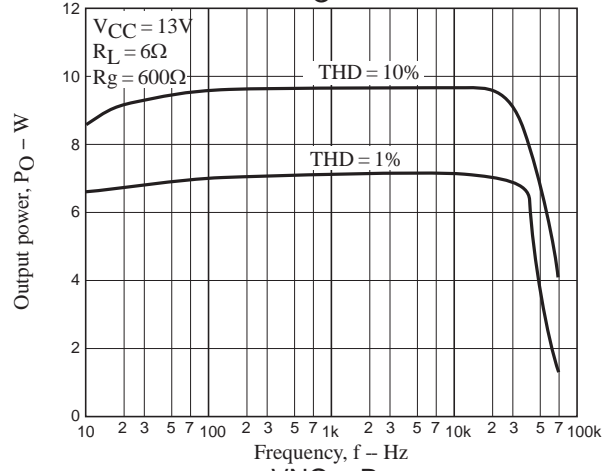
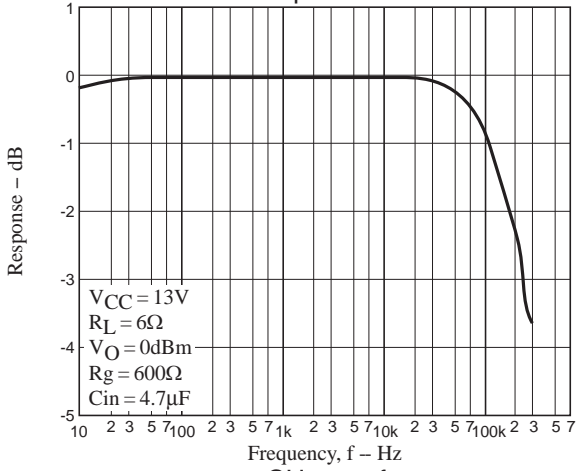
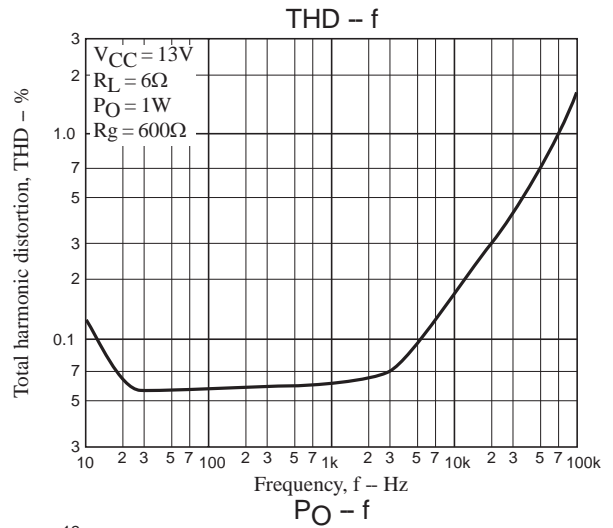
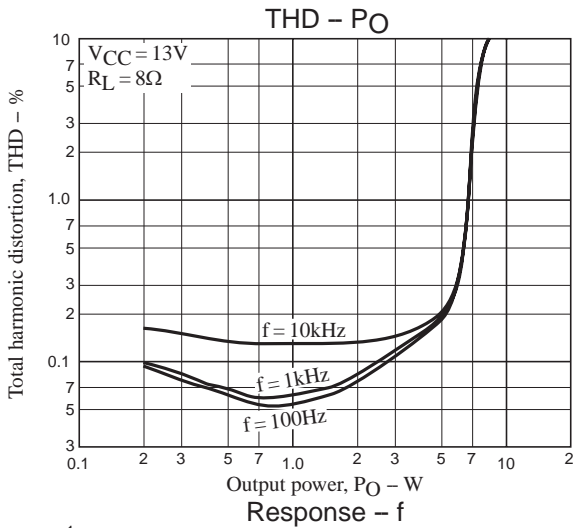
Foreign matter such as metal chips must not be trapped between the IC's heat sink and the externally attached heat sink.

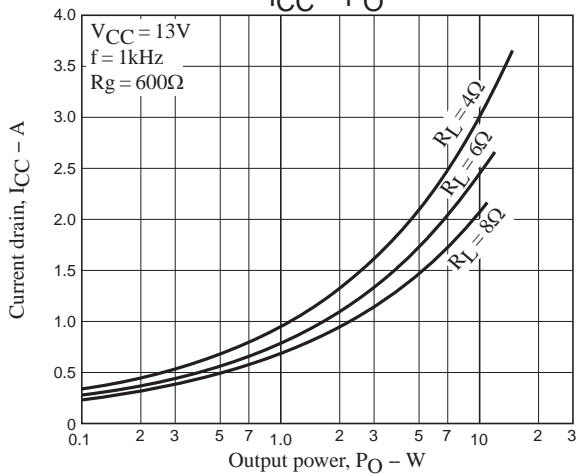
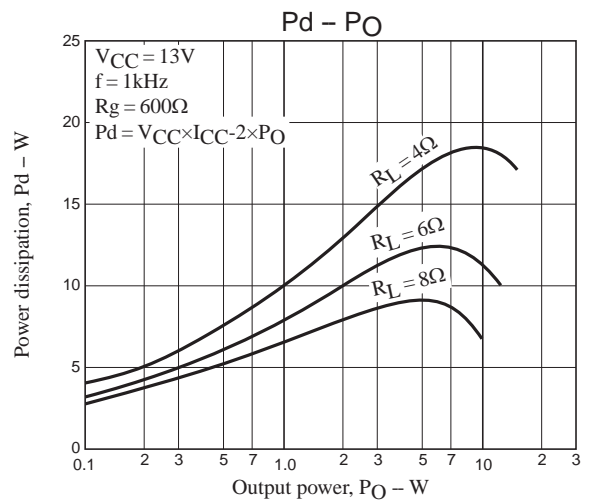
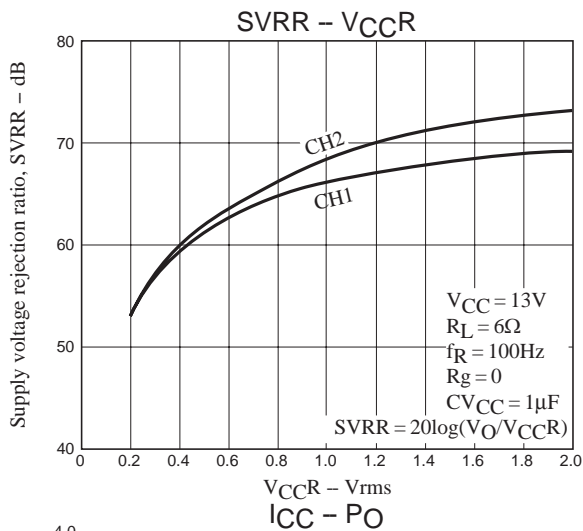
If a grease is used between the IC and the external heat sink, be sure to apply the grease evenly to the whole contact surface.

Other Notes

The LA4632 is a BTL power amplifier IC. When connecting test equipment, the test equipment used for the input system and the test equipment used for the output system must not share the same ground.







- SANYO Semiconductor Co.,Ltd. assumes no responsibility for equipment failures that result from using products at values that exceed, even momentarily, rated values (such as maximum ratings, operating condition ranges, or other parameters) listed in products specifications of any and all SANYO Semiconductor Co.,Ltd. products described or contained herein.
- SANYO Semiconductor Co.,Ltd. strives to supply high-quality high-reliability products, however, any and all semiconductor products fail or malfunction with some probability. It is possible that these probabilistic failures or malfunction could give rise to accidents or events that could endanger human lives, trouble that could give rise to smoke or fire, or accidents that could cause damage to other property. When designing equipment, adopt safety measures so that these kinds of accidents or events cannot occur. Such measures include but are not limited to protective circuits and error prevention circuits for safe design, redundant design, and structural design.
- In the event that any or all SANYO Semiconductor Co.,Ltd. products described or contained herein are controlled under any of applicable local export control laws and regulations, such products may require the export license from the authorities concerned in accordance with the above law.
- No part of this publication may be reproduced or transmitted in any form or by any means, electronic or mechanical, including photocopying and recording, or any information storage or retrieval system, or otherwise, without the prior written consent of SANYO Semiconductor Co.,Ltd.
- Any and all information described or contained herein are subject to change without notice due to product/technology improvement, etc. When designing equipment, refer to the "Delivery Specification" for the SANYO Semiconductor Co.,Ltd. product that you intend to use.
- Information (including circuit diagrams and circuit parameters) herein is for example only; it is not guaranteed for volume production.
- Upon using the technical information or products described herein, neither warranty nor license shall be granted with regard to intellectual property rights or any other rights of SANYO Semiconductor Co.,Ltd. or any third party. SANYO Semiconductor Co.,Ltd. shall not be liable for any claim or suits with regard to a third party's intellectual property rights which has resulted from the use of the technical information and products mentioned above.

This catalog provides information as of November, 2008. Specifications and information herein are subject to change without notice.